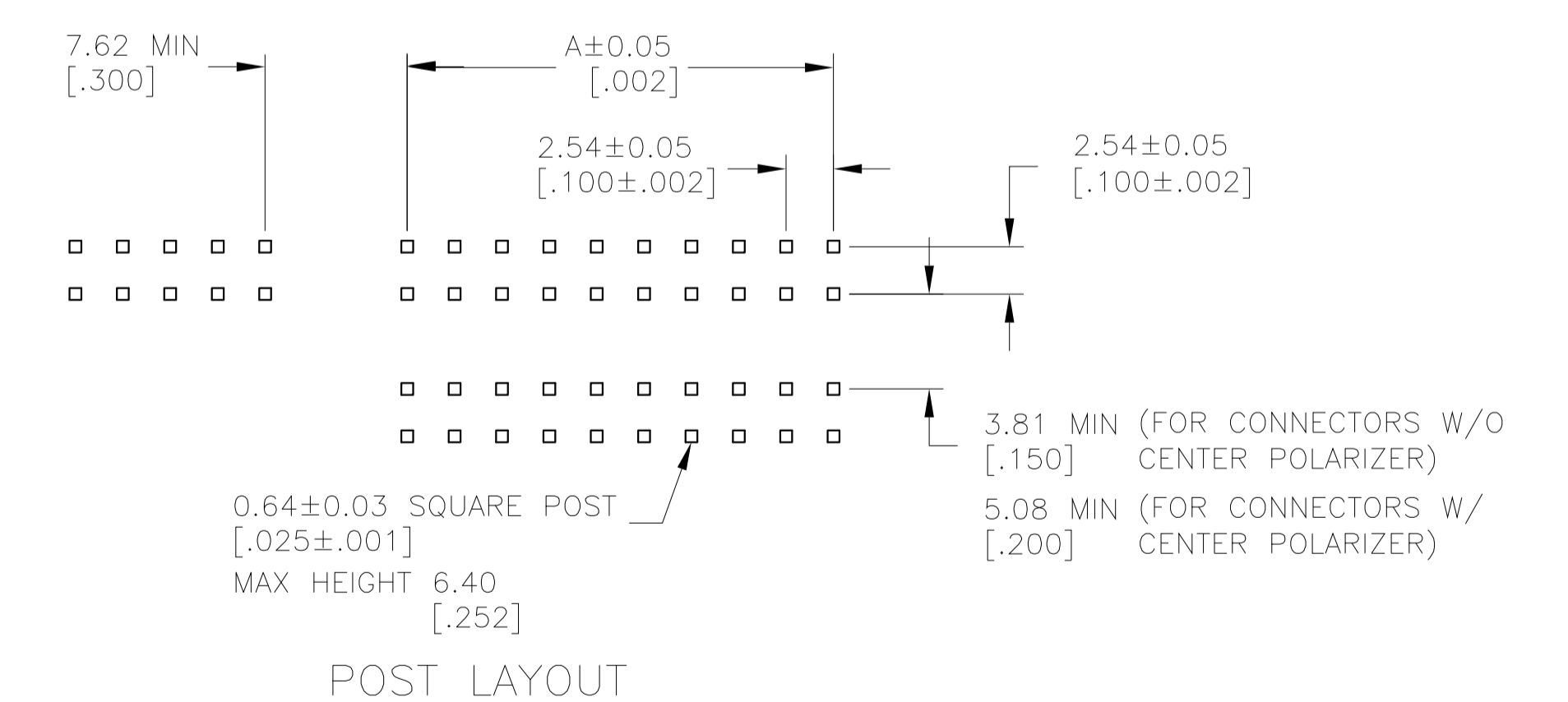
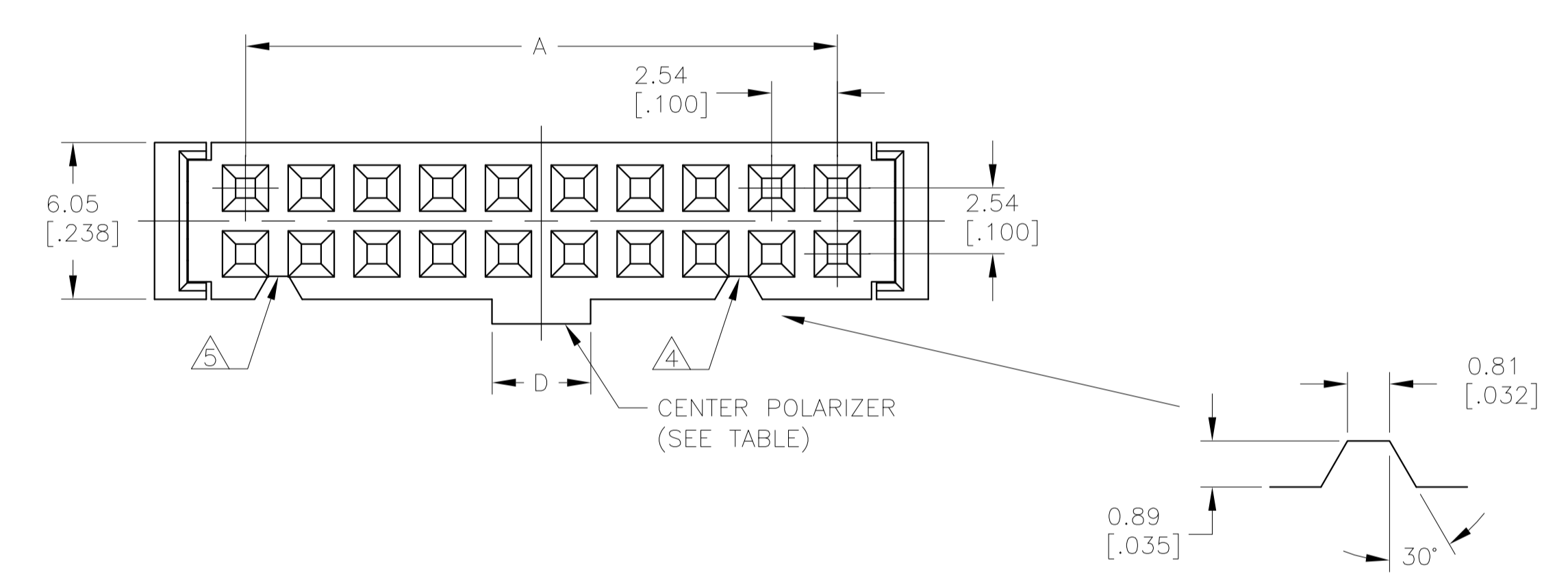
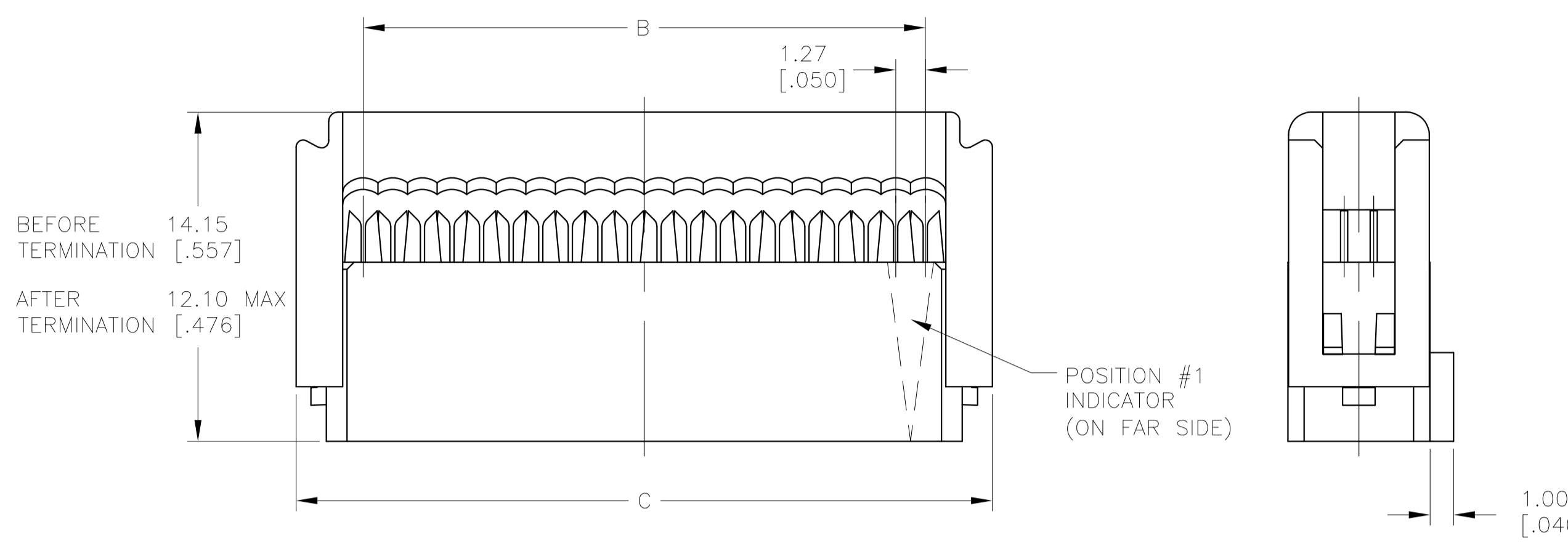


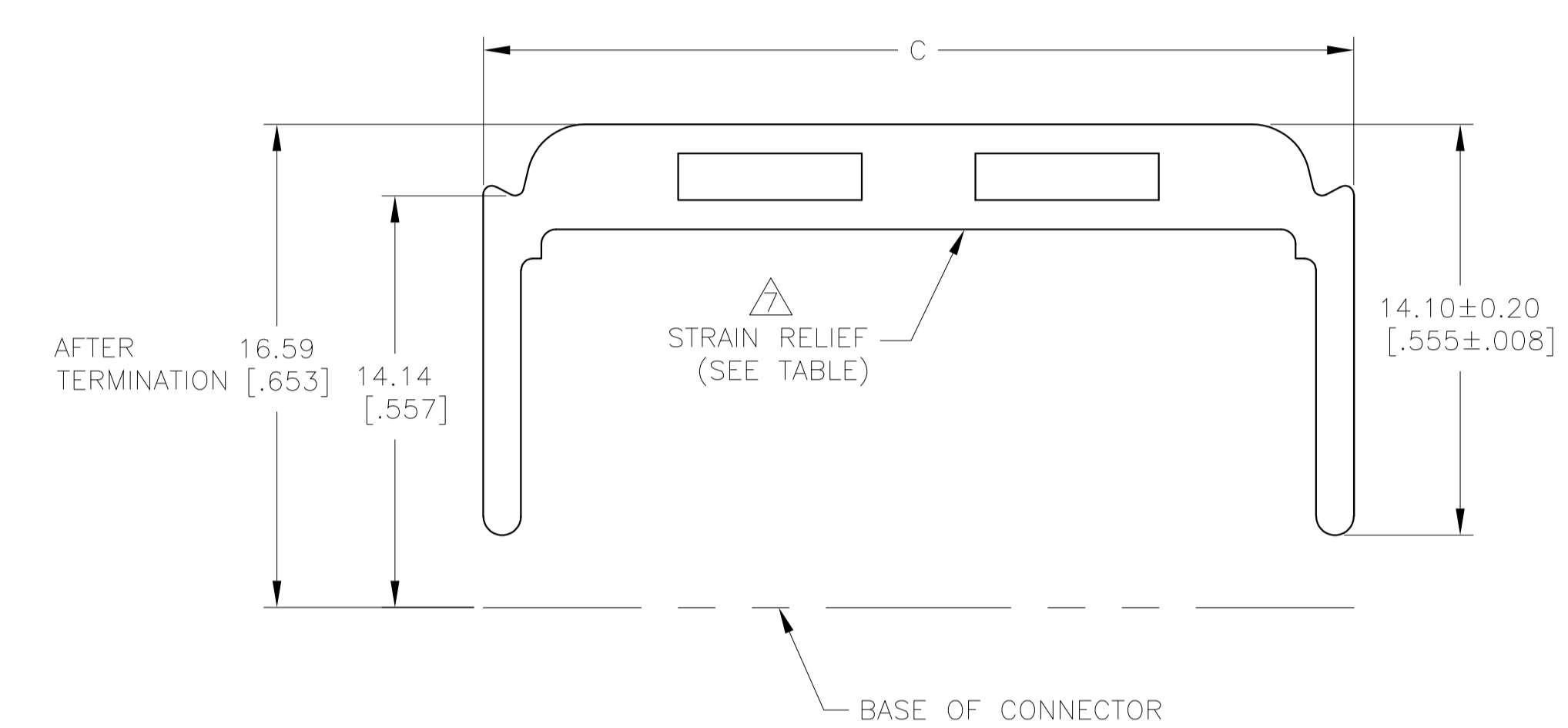


**THE DATASHEET OF**  
**1-1658527-3**





- 20 POSITION CONNECTOR ASSEMBLY SHOWN.
- MOLDED PARTS: THERMOPLASTIC, UL94V-0 RATED, COLOR BLUE. CONTACTS: BERYLLIUM COPPER.
- CONTACTS: 0.00076[.000030] MIN GOLD ON MATING AREA, 0.00254-0.00508[.000100-.000200] TIN OR GOLD FLASH ON TERMINATION END, ALL OVER 0.00127[.000050] MIN NICKEL ON ENTIRE CONTACT.
- POLARIZER FEATURE DOES NOT EXIST ON POSITION #1 END FOR 14 POSITION ASSEMBLIES AND SMALLER.
- POLARIZER FEATURE DOES NOT EXIST ON THIS END FOR 4 & 6 POSITION ASSEMBLIES.
- FOR TERMINATION OF 26 OR 28 AWG STRANDED OR SOLID PVC INSULATED FLAT RIBBON CABLE. SEE TYCO ELECTRONICS DRAWINGS 57034 (26 AWG) OR 57040 (28 AWG) FOR DETAILS.
- STRAIN RELIEF PACKAGED SEPARATELY AND SHIPPED WITH ASSEMBLY.



	YES	YES	3.80[.150]	85.78[3.377]	80.01[3.150]	78.74[3.100]	64	622-6441LF	3-1658527-2
	NO	YES	3.80[.150]	85.78[3.377]	80.01[3.150]	78.74[3.100]	64	622-6430LF	3-1658527-1
OBSOLETE	YES	YES	3.80[.150]	80.70[3.177]	74.93[2.950]	73.66[2.900]	60	622-6041LF	3-1658527-0
OBSOLETE	NO	YES	3.80[.150]	80.70[3.177]	74.93[2.950]	73.66[2.900]	60	622-6030LF	2-1658527-9
OBSOLETE	NO	YES	3.80[.150]	75.62[2.977]	69.85[2.750]	68.58[2.700]	56	622-5630LF	1-1658527-8
	YES	YES	3.80[.150]	68.00[2.677]	62.23[2.450]	60.95[2.400]	50	622-5041LF	1-1658527-5
	NO	YES	3.80[.150]	68.00[2.677]	62.23[2.450]	60.95[2.400]	50	622-5030LF	1-1658527-4
OBSOLETE	NO	NO	-	60.38[2.377]	54.61[2.150]	53.34[2.100]	44	622-4400LF	1-1658527-7
	YES	YES	3.80[.150]	55.30[2.177]	49.53[1.950]	48.26[1.900]	40	622-4041LF	1-1658527-3
	NO	YES	3.80[.150]	55.30[2.177]	49.53[1.950]	48.26[1.900]	40	622-4030LF	1-1658527-2
	YES	YES	3.80[.150]	47.68[1.877]	41.91[1.650]	40.64[1.600]	34	622-3441LF	2-1658527-8
	NO	YES	3.80[.150]	47.68[1.877]	41.91[1.650]	40.64[1.600]	34	622-3430LF	1-1658527-1
	YES	YES	3.80[.150]	42.60[1.677]	36.83[1.450]	35.56[1.400]	30	622-3041LF	2-1658527-7
	NO	YES	3.80[.150]	42.60[1.677]	36.83[1.450]	35.56[1.400]	30	622-3030LF	2-1658527-6
	YES	YES	3.80[.150]	37.52[1.477]	31.75[1.250]	30.48[1.200]	26	622-2641LF	1-1658527-0
	NO	YES	3.80[.150]	37.52[1.477]	31.75[1.250]	30.48[1.200]	26	622-2630LF	1658527-9
	YES	YES	3.80[.150]	34.98[1.377]	29.21[1.150]	27.94[1.100]	24	622-2441LF	2-1658527-5
OBSOLETE	NO	YES	3.80[.150]	34.98[1.377]	29.21[1.150]	27.94[1.100]	24	622-2430LF	2-1658527-4
	YES	YES	3.80[.150]	29.90[1.177]	24.13[.950]	22.86[.900]	20	622-2041LF	1658527-8
	NO	YES	3.80[.150]	29.90[1.177]	24.13[.950]	22.86[.900]	20	622-2030LF	2-1658527-3
	YES	YES	3.80[.150]	24.82[.977]	19.05[.750]	17.78[.700]	16	622-1641LF	1658527-7
	NO	YES	3.80[.150]	24.82[.977]	19.05[.750]	17.78[.700]	16	622-1630LF	1658527-6
	YES	YES	3.80[.150]	22.28[.877]	16.51[.650]	15.24[.600]	14	622-1441LF	2-1658527-2
	NO	YES	3.80[.150]	22.28[.877]	16.51[.650]	15.24[.600]	14	622-1430LF	1658527-5
OBSOLETE	YES	YES	3.80[.150]	19.74[.777]	13.97[.550]	12.70[.500]	12	622-1241LF	2-1658527-1
	NO	YES	3.80[.150]	19.74[.777]	13.97[.550]	12.70[.500]	12	622-1230LF	2-1658527-0
	YES	YES	3.20[.126]	17.20[.677]	11.43[.450]	10.16[.400]	10	622-1041LF	1658527-4
	NO	YES	3.20[.126]	17.20[.677]	11.43[.450]	10.16[.400]	10	622-1030LF	1658527-3
OBSOLETE	NO	NO	-	14.66[.577]	8.89[.350]	7.62[.300]	8	622-0800LF	1-1658527-6
	YES	YES	1.90[.075]	12.12[.477]	6.35[.250]	5.08[.200]	6	622-0641LF	1-1658527-9
	NO	YES	1.90[.075]	12.12[.477]	6.35[.250]	5.08[.200]	6	622-0630LF	1658527-2
OBSOLETE	NO	YES	1.90[.075]	9.58[.377]	3.81[.150]	2.54[.100]	4	622-0430LF	1658527-1
	STRAIN RELIEF	CENTER POLARIZER	D	C	B	A	NUMBER OF POSITIONS	T&B PART NUMBER (REFERENCE)	PART NUMBER

ELECTRICAL PROPERTIES	
CURRENT RATING	1 AMP
INSULATION RESISTANCE	>1 x 10 <sup>9</sup> OHMS @ 500 VDC
DWV	>500 VRMS AT SEA LEVEL
ENVIRONMENTAL PROPERTIES	
TEMPERATURE RATING	-55°C TO 125°C

THIS DRAWING IS A CONTROLLED DOCUMENT.

DIMENSIONS: INCHES  
 TOLERANCES UNLESS OTHERWISE SPECIFIED:  
 0. PLC ± -  
 1. PLC ± -  
 2. PLC ± -  
 3. PLC ± 0.1[.005]  
 4. PLC ± -  
 ANGLES ± -

MATERIAL: FINISH:

THIS DRAWING IS A CONTROLLED DOCUMENT. J. GERACE 17SEP04  
 C. ROHDE 17SEP04  
 M. WALMSLEY 17SEP04  
 NAME: CONNECTOR ASSEMBLY, FEMALE SOCKET TRANSITION, 622 SERIES  
 SIZE: A1 CASE CODE: 00779 DRAWING NO: 1658527  
 WEIGHT: - RESTRICTED TO: -  
 CUSTOMER DRAWING SCALE: 10:1 SHEET: 1 OF 1 REV: D1

## Looking for pricing, stock, or lifecycle information?

Click below to explore more details on WIN SOURCE:

 [View 1-1658527-3 on WIN SOURCE](#)

 [TE Connectivity](#) Information

## Optimize Your Supply Chain with WIN SOURCE Solutions

-  Global Sourcing Solution
-  Obsolete Management
-  Cost Control Management
-  Shortage Management
-  Alternative Solution
-  Excess Inventory Management