



THE DATASHEET OF SDT001



SDT Series Micro Mini Pendulum Surface Mount Detect Switches

Features/Benefits

- Low profile package sits just 3,30 mm off PCB
- Design allows top or side actuation
- Low actuation force, 30 grams max.
- Pick and place compatible, available in tape & reel packaging
- RoHS compliant and compatible

Typical Applications

- Consumer electronics
- Computers
- Medical devices
- ATCA or MicroTCA devices



AdvancedTCA®

μTCA®

Specifications

CONTACT RATING: 1 mA 5 VDC
 MECHANICAL AND ELECTRICAL LIFE: 100,000 cycles min.
 CONTACT RESISTANCE: 1 Ω max. initial.
 INSULATION RESISTANCE: 10 M Ω min. between adjacent contacts.
 OPERATING TEMPERATURE: -20°C to +70°C
 STORAGE TEMPERATURE: -30°C to +80°C
 PACKAGING: Tape & reel, 2,200 per reel.

Materials

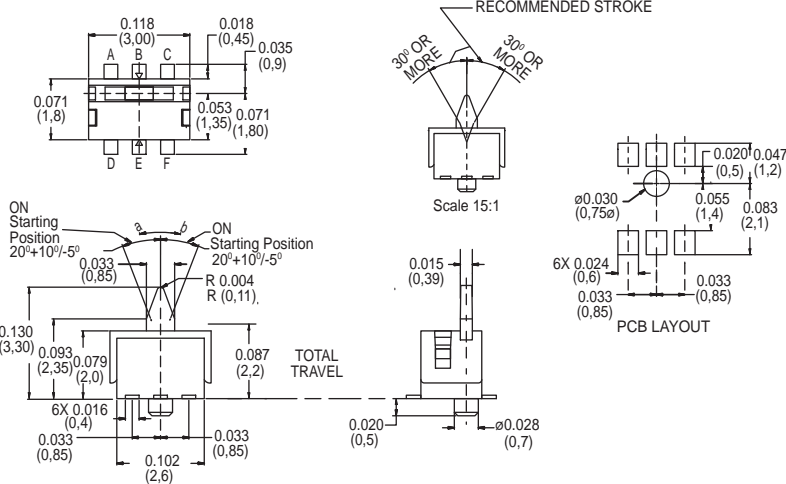
BASE: LCP
 COVER: PA 46
 ACTUATOR: LCP
 MOVABLE BLADE: Stainless steel, gold over nickel plate.
 TERMINALS: Phosphor bronze, gold over nickel plate.

NOTE: Specifications and materials listed above are for switches with standard options. For information on specific and custom switches, consult Customer Service Center.

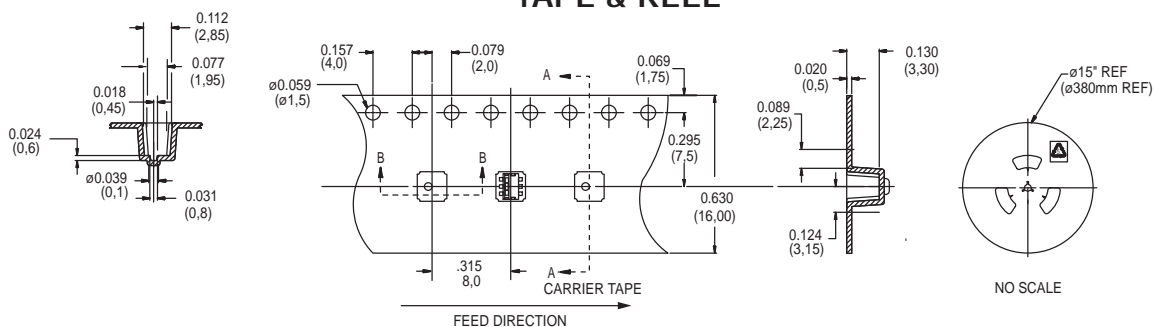
Build-A-Switch

Complete part numbers for SDT Series are shown below.

PART NUMBER	PACKAGING	SCHEMATIC
SDT001	TAPE & REEL	 CIRCUIT DIAGRAM



SDT001





Dimensions are shown: Inches (mm)
 Specifications and dimensions subject to change



Detect

Looking for pricing, stock, or lifecycle information?

Click below to explore more details on WIN SOURCE:

-  [View SDT001 on WIN SOURCE](#)
-  [C&K Components Information](#)

Optimize Your Supply Chain with WIN SOURCE Solutions

-  Global Sourcing Solution
-  Obsolete Management
-  Cost Control Management
-  Shortage Management
-  Alternative Solution
-  Excess Inventory Management