



**THE DATASHEET OF
SZL-VL-S-F-N-M**



SZL-VL-S SERIES

002389

Issue 4

MICRO SWITCH Miniature Industrial Limit Switches



DESCRIPTION

The SZL-VL-S Series miniature-type limit switch is designed for use in applications where limited mounting space is available. With IP67 seal rating, these switches are suitable for OEM machinery that requires a rugged and reliable limit switch capable of being mounted in space restricted applications. Its design enhances ease of wiring with ample wiring space, and has an optional cable gland for faster and more efficient wiring termination.

The SZL-VL-S Series switches have a split-housing design made of a die-cast body and head with glass-filled, flame-retardant thermoplastic cover. The cover is removable for easy access and ease of installation. Modular actuator head design allows for configurations to meet a variety of application needs. The SZL-VL-S are available globally and carry certifications for applications around the world.

FEATURES

- Approvals: CCC, CE, UKCA, cULus
- Sealed to IP67, NEMA 1, 12, 13
- Snap-action contacts
- Die-cast metal housing with glass-filled, flame-retardant thermoplastic cover
- Stainless steel levers with either steel and nylon rollers
- Variety of actuators
- Positive-opening contacts (side rotary version only)
- RoHS compliant
- Utilization category:
 - AC-15 A300 (380 Vac/0.5 A)
 - DC-13 Q300 (220 Vdc/0.05 A)
- Mechanical life rating: 10 million cycles
- Electrical life rating: 0.5 million cycles

DIFFERENTIATION

- With robust environmental ratings, the SZL-VL-S is protected for all kinds of industrial applications. IP67 indicates that the SZL-VL-S is protected against the effect of immersion in water between 15 cm and 1 m. The competition standard is IP65 which can only withstand low pressure spray and jets of water.
- The electrical rating of 10 A permits the SZL-VL-S switch to be used with heavier electrical loads than competitors

VALUE TO CUSTOMERS

- These switches are user-friendly interfaces and may be used in a broad range of applications to help meet the challenges of many industrial environments.
- A variety of actuators fit on the same platform reducing the need to use various kinds of mounting hardware.

APPLICATIONS

- Scissor/boom position detection
- Vehicle accessibility lifts
- Escalators/Motorized walkways
- Machine tools
- Mobile light towers
- Packaging equipment
- Conveyor equipment
- Overhead doors
- Agriculture equipment
- Rail passenger cars (internal doors)

PORTFOLIO



The MICRO SWITCH SZL-VL-S series joins Honeywell's NGC Series and the GLL Series switches for general industrial applications. The combined portfolio helps ensure a variety of industrial applications or position sensing tasks can be performed by a Honeywell limit switch. To view the entire product portfolio, [click here](#).

Honeywell

MICRO SWITCH MINIATURE INDUSTRIAL LIMIT SWITCHES

SZL-VL-S SERIES

TABLE 1. PERFORMANCE SPECIFICATIONS

Characteristic	Parameter
Description	Miniature industrial limit switch
Approvals	CCC, CE, UKCA, cULus
Housing material	Die-cast metal housing with glass-filled, flame-retardant thermoplastic cover UL 94 flame spread testing: V-0 rated
Electrical connection	Conduit entry or cable gland
Contact design	Snap-action (all versions) Positive-opening contacts (side rotary version only)
Contact material	Silver alloy
Electrical ratings	AC-15 A300 (380 Vac/0.5 A) DC-13 Q300 (220 Vdc/0.05 A)
Thermal current (I_{th})	10 A/250 Vac (EN 60947-5-1)
Initial contact resistance	≤ 25 mOhm
Insulation resistance	>100 MOhm at 500 Vdc
Impulse voltage	2500 Vdc
Dielectric voltage	1890 Vac for metal housing, 1890 Vac between all terminals to enclosure after durability test
Leakage current	≤ 10 mA
Pollution degree	3
Environmental sealing	IP67
Operating temperature	-20°C to 70°C [-4°F to 158°F] (with no icing)
Humidity	95 %RH
Shock	30 G, conforming to IEC 60068-2-27
Vibration	10 G, 10 Hz to 55 Hz displacement amplitude 0,75 mm, conforming to IEC 60068-2-6 (wobble excluded)
MCTF (Mechanical life)	10M cycles @ 120 cpm max.
MCTF (Electrical life)	0.5M cycles @ 30 cpm max. under the rated resistance load
Operating speed	0,05 mm/s to 2 m/s (based on pin plunger limit switch)
Operating frequency	Mechanical: 120 ops/min; Electrical: 30 ops/min
Weight	120 g to 150 g

Figure 1. Circuitry

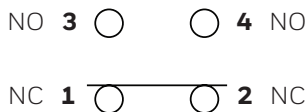


Figure 2. Mounting Holes

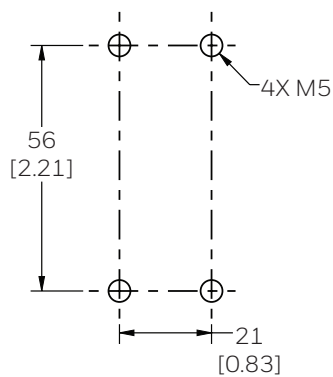
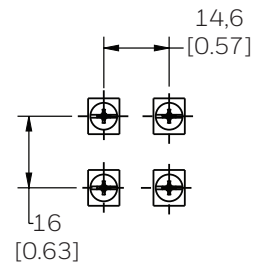


Figure 3. Wiring



MICRO SWITCH MINIATURE INDUSTRIAL LIMIT SWITCHES SZL-VL-S SERIES

Figure 4. Nomenclature

SZL-VL	-	S	-	A	-	N	-	Customer Options ¹
Series		Code		Actuator		Sealing		
SZL-VL Series Limit Switch		S Standard		A Side rotary, fixed lever nylon roller, Ø18 x 6,5		N IP67		Without M12 cable gland (blank)
				B Side rotary, adjustable lever nylon roller, Ø18 x 6,5				M With M12 cable gland
				C Side rotary, adjustable rod Ø2,5 mm, 125 mm				
				D Top pin plunger				
				E Cross roller plunger Ø12,5 x 3,8				
				F Coil spring wobble with plastic rod				
				G Steel wire wobble				
				H Top roller plunger Ø12,5 x 3,8				
				I Side rotary, fixed lever steel roller, Ø18 x 6,5				
				J Side rotary, adjustable lever steel roller, Ø18 x 6,5				
			K Coil spring wobble					

¹ This special designator code consists of up to two alphanumeric characters, and is used to indicate some optional features such as customer code.

MICRO SWITCH MINIATURE INDUSTRIAL LIMIT SWITCHES SZL-VL-S SERIES

TABLE 2. ORDER GUIDE MM [IN]

Catalog Listing	Actuator	Roller/pin plunger	Lever	Free Position	Pretravel max. mm [in]	Differential travel max. mm [in]	Overtravel min. mm [in]	Min. travel to achieve positive opening	Operating force/torque (max.)	Bar Graph
SZL-VL-S-A-N-M	Side rotary, fixed lever	Nylon roller, Ø18 x 6,5 [Ø0.71 x 0.25]	Steel, R30	0°	25°	15°	70°	40°	18 Ncm [1.59 in-lb]	
SZL-VL-S-I-N-M	Side rotary, fixed lever	Steel roller, Ø18 x 6,5 [Ø0.71 x 0.25]	Steel, R30	0°	25°	15°	70°	40°	18 Ncm [1.59 in-lb]	
SZL-VL-S-B-N-M	Side rotary, adjustable lever	Nylon roller, Ø18 x 6,5 [Ø0.71 x 0.25]	Steel, R30 to R70	0°	25°	15°	70°	40°	18 Ncm [1.59 in-lb]	
SZL-VL-S-J-N-M	Side rotary, adjustable lever	Steel roller, Ø18 x 6,5 [Ø0.71 x 0.25]	Steel, R30 to R70	0°	25°	15°	70°	40°	18 Ncm [1.59 in-lb]	
SZL-VL-S-C-N-M	Side rotary, adjustable rod	-	Metal rod, Ø2,5 mm [0.1 in], 125 mm [4.92 in] long	0°	25°	15°	70°	40°	18 Ncm [1.59 in-lb]	
SZL-VL-S-D-N-M	Top pin plunger	Metal pin, Ø6,6 [0.26]	-	27 ±0,8 [1.04 ±0.03]*	2 [0.08]	1,5 [0.06]	3,5 [0.14]	n/a	9 N [2.02 lb]	
SZL-VL-S-H-N-M	Top roller plunger	Steel roller, Ø12,5 x 3,8 [Ø0.5 x 0.15]	-	38,5 ±0,8 [1.5 ±0.03]*	2 [0.08]	1,5 [0.06]	3,5 [0.14]	n/a	9 N [2.02 lb]	
SZL-VL-S-E-N-M	Top cross roller plunger	Steel roller, Ø12,5 x 3,8 [Ø0.5 x 0.15]	-	38,5 ±0,8 [1.5 ±0.03]*	2 [0.08]	1,5 [0.06]	3,5 [0.14]	n/a	9 N [2.02 lb]	
SZL-VL-S-F-N-M	Wobble, coil spring and nylon rod	-	Ø5,8 mm [0.23 in] coil spring with plastic rod	0°	30°	-	20°	n/a	2 N [0.45lb]	
SZL-VL-S-G-N-M	Wobble, coil spring and metal wire	-	Ø5,8 mm [0.23 in] coil spring with Ø1,2 mm [0.05 in] metal wire	0°	30°	-	20°	n/a	2 N [0.45lb]	
SZL-VL-S-K-N-M	Wobble, coil spring	-	Ø5,8 mm [0.23 in] coil spring	0°	30°	-	20°	n/a	2 N [0.45lb]	

* (from the center of the mounting hole)

MICRO SWITCH MINIATURE INDUSTRIAL LIMIT SWITCHES SZL-VL-S SERIES

Dimensional Drawings • mm [in]

Figure 5. SZL-VL Side Rotary Limit Switch (Fixed Lever)

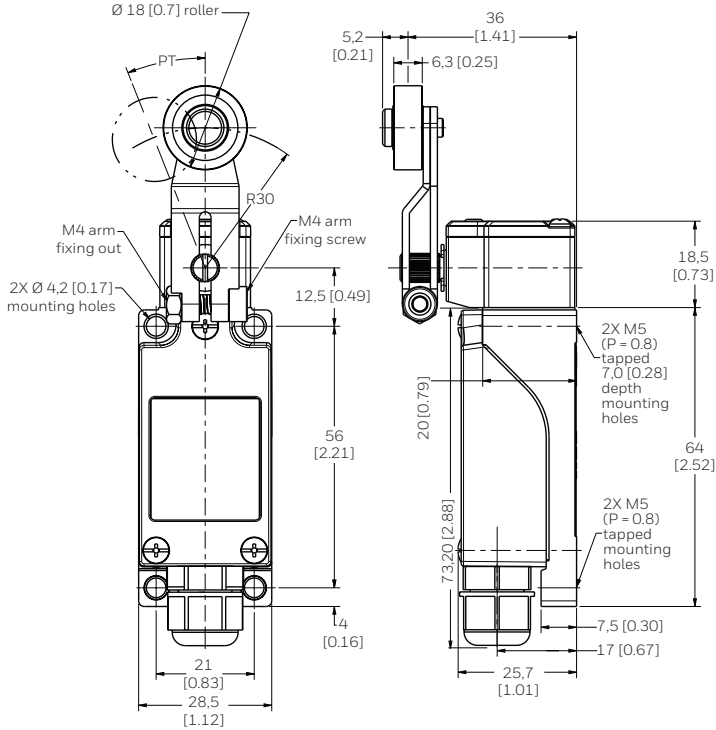


Figure 6. SZL-VL Side Rotary Limit Switch (Adjust. Lever)

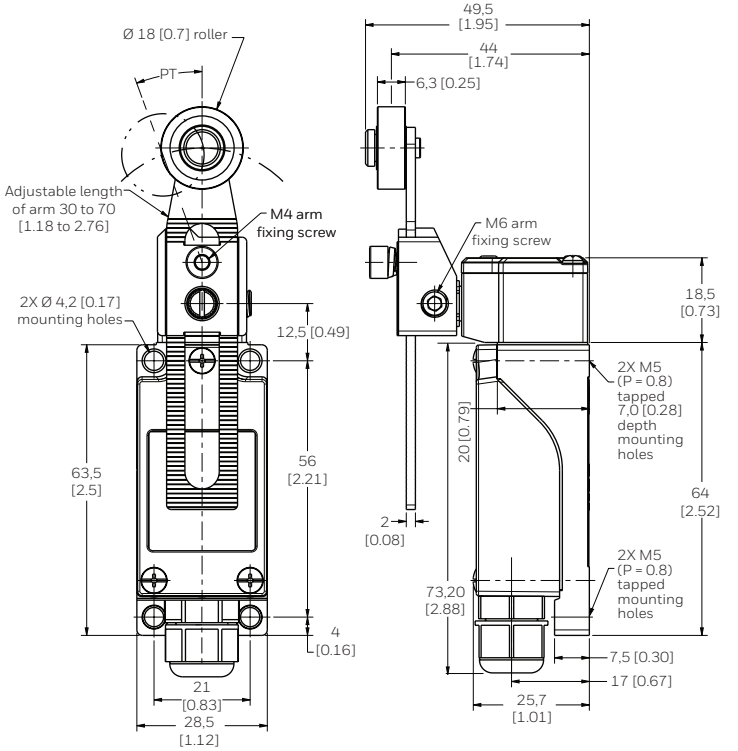


Figure 7. SZL-VL Side Rotary Limit Switch (Adjust. Rod)

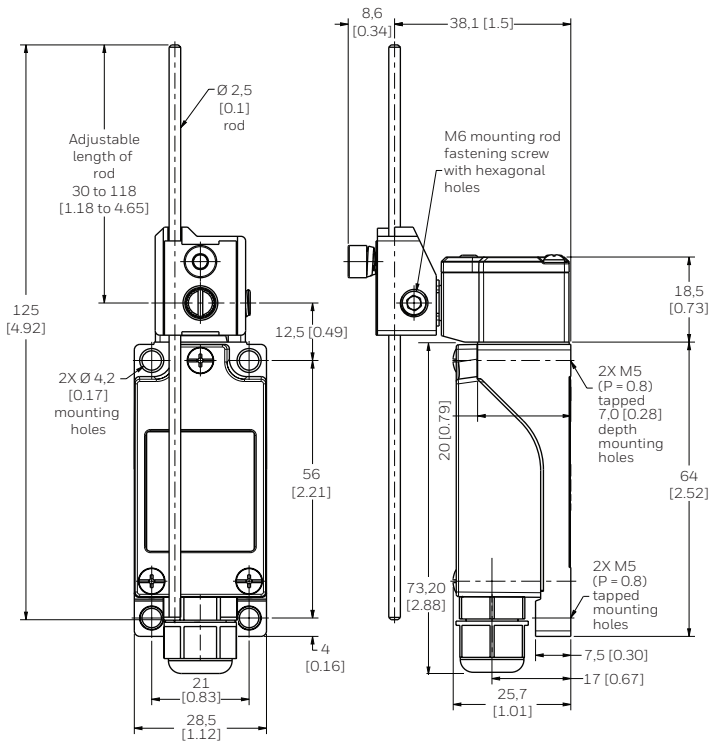
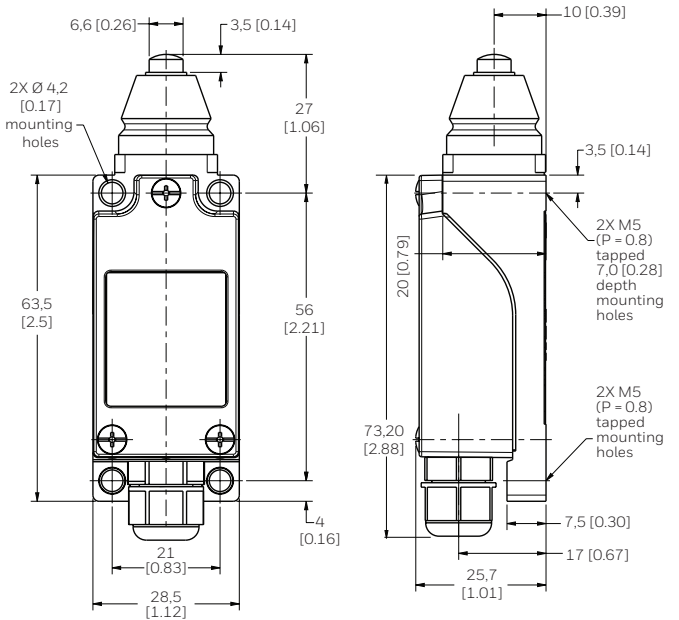


Figure 8. SZL-VL Pin Plunger Limit Switch



MICRO SWITCH MINIATURE INDUSTRIAL LIMIT SWITCHES SZL-VL-S SERIES

Figure 9. SZL-VL Cross Roller Plunger Limit Switch

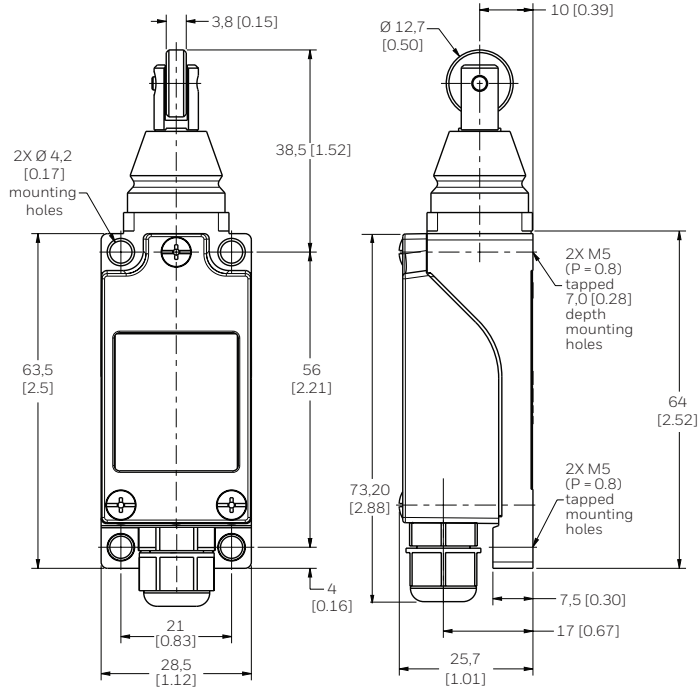


Figure 10. SZL-VL Roller Plunger Limit Switch

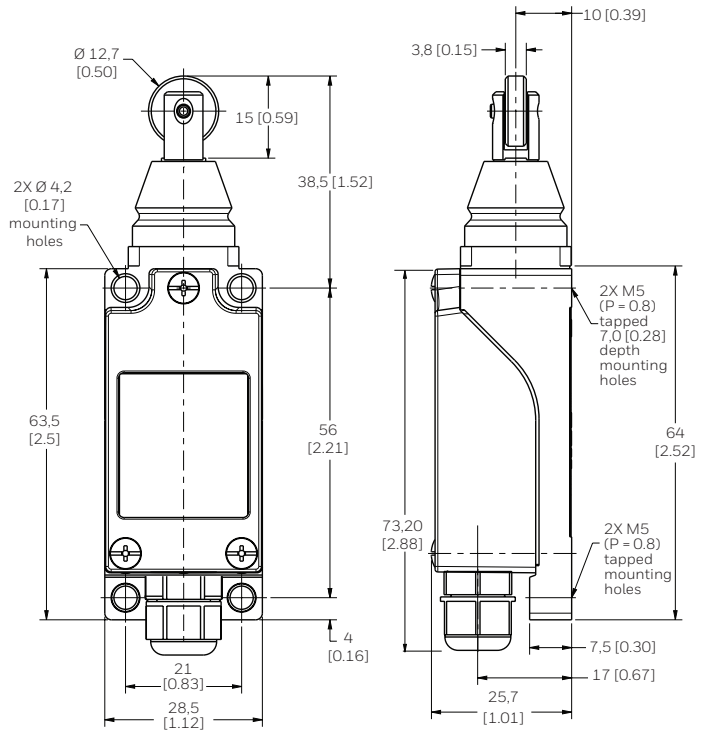


Figure 11. SZL-VL Coil Wobble (Plastic Tip) Limit Switch

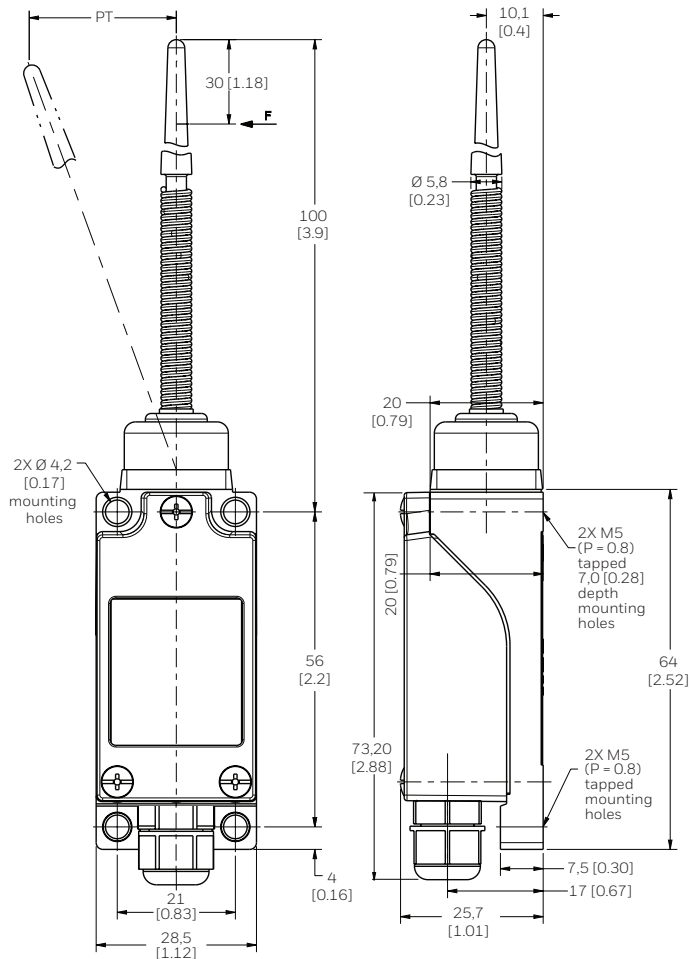
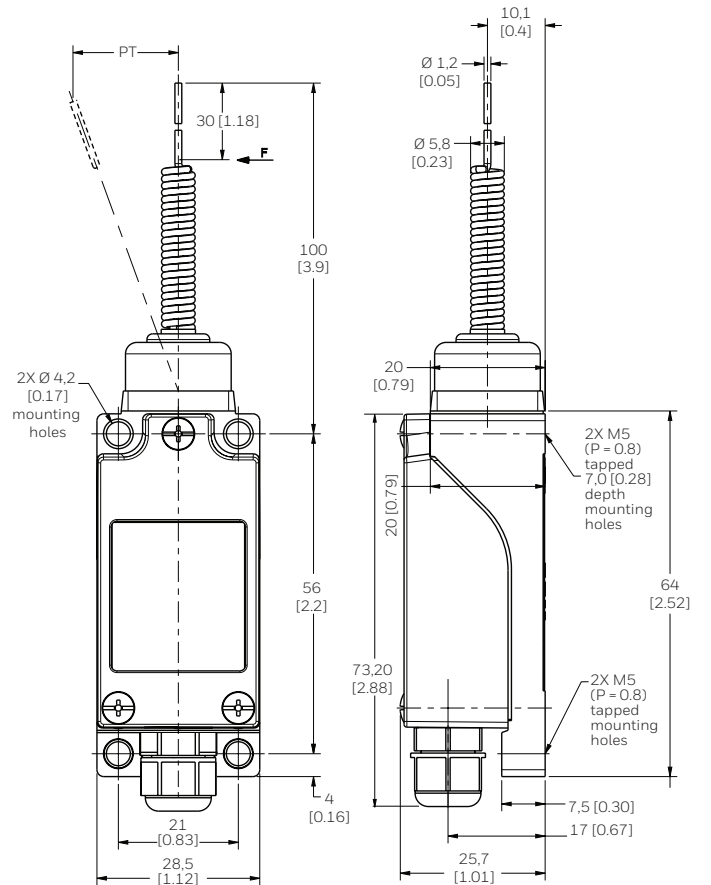


Figure 12. SZL-VL Coil Wobble (Wire Tip) Limit Switch



MICRO SWITCH MINIATURE INDUSTRIAL LIMIT SWITCHES

SZL-VL-S SERIES

Figure 13. SZL-VL Coil Wobble Limit Switch

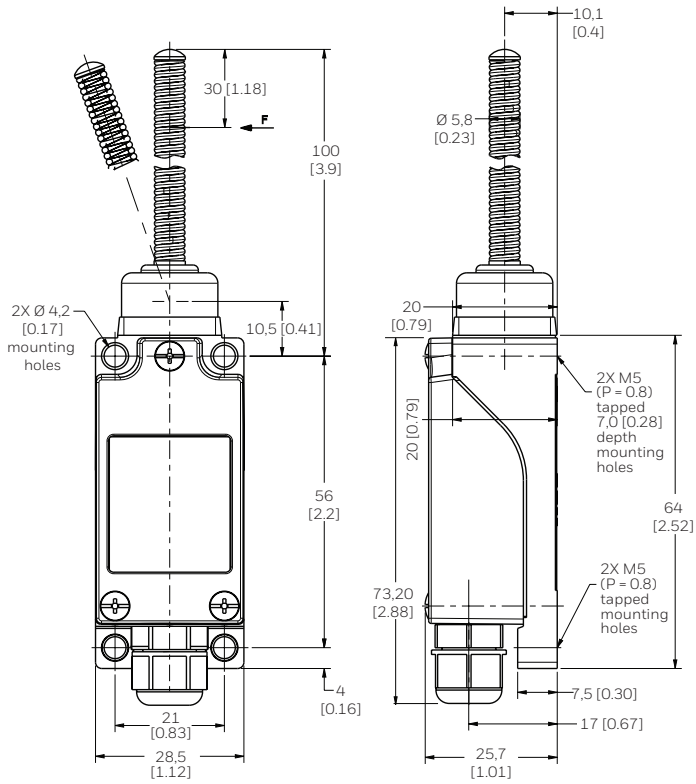
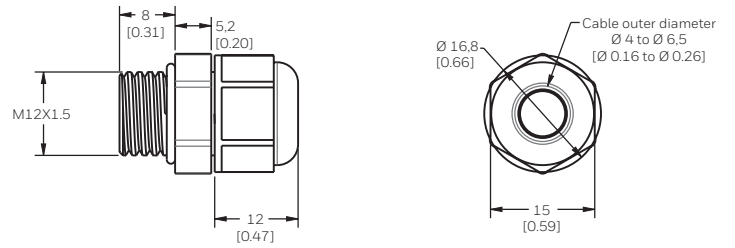


Figure 14. SZL-VL M12 Cable Gland (A1-LSC-F)



WARRANTY/REMEDY

Honeywell warrants goods of its manufacture as being free of defective materials and faulty workmanship during the applicable warranty period. Honeywell's standard product warranty applies unless agreed to otherwise by Honeywell in writing; please refer to your order acknowledgment or consult your local sales office for specific warranty details. If warranted goods are returned to Honeywell during the period of coverage, Honeywell will repair or replace, at its option, without charge those items that Honeywell, in its sole discretion, finds defective. The foregoing is buyer's sole remedy and is in lieu of all other warranties, expressed or implied, including those of merchantability and fitness for a particular purpose. In no event shall Honeywell be liable for consequential, special, or indirect damages.

While Honeywell may provide application assistance personally, through our literature and the Honeywell web site, it is buyer's sole responsibility to determine the suitability of the product in the application.

Specifications may change without notice. The information we supply is believed to be accurate and reliable as of this writing. However, Honeywell assumes no responsibility for its use.

FOR MORE INFORMATION

Honeywell Advanced Sensing Technologies services its customers through a worldwide network of sales offices and distributors. For application assistance, current specifications, pricing or the nearest Authorized Distributor, visit [our website](#) or call:

USA/Canada	+1 302 613 4491
Latin America	+1 305 805 8188
Europe	+44 1344 238258
Japan	+81 (0) 3-6730-7152
Singapore	+65 6355 2828
Greater China	+86 4006396841

Honeywell Advanced Sensing Technologies

830 East Arapaho Road
Richardson, TX 75081
sps.honeywell.com/ast

WARNING MISUSE OF DOCUMENTATION

- The information presented in this product sheet is for reference only. Do not use this document as a product installation guide.
- Complete installation, operation, and maintenance information is provided in the instructions supplied with each product.

Failure to comply with these instructions could result in death or serious injury.

Looking for pricing, stock, or lifecycle information?

Click below to explore more details on WIN SOURCE:

 [View SZL-VL-S-F-N-M on WIN SOURCE](#)

 [Honeywell Information](#)

Optimize Your Supply Chain with WIN SOURCE Solutions

-  Global Sourcing Solution
-  Obsolete Management
-  Cost Control Management
-  Shortage Management
-  Alternative Solution
-  Excess Inventory Management