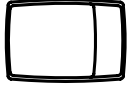
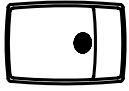
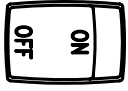
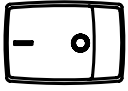




**THE DATASHEET OF
SW12A06NF01**



ITEM NO.	SW-12A06N-A01	SW-12A06N-B01	SW-12A06N-C01	SW-12A06N-F01
KNOB MARKS				

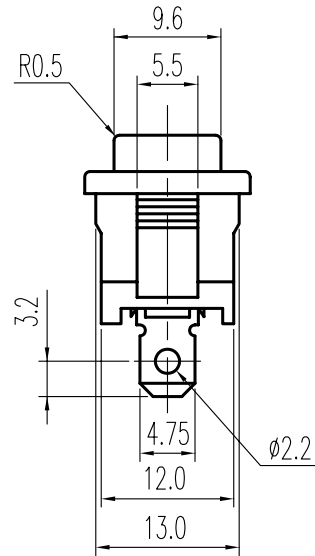
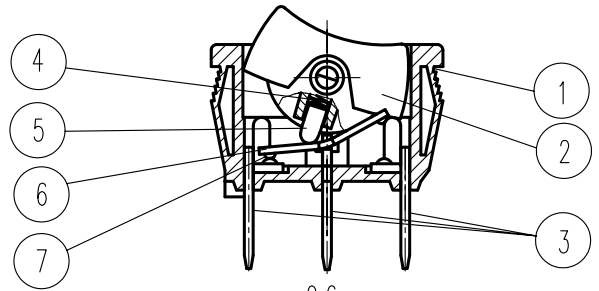
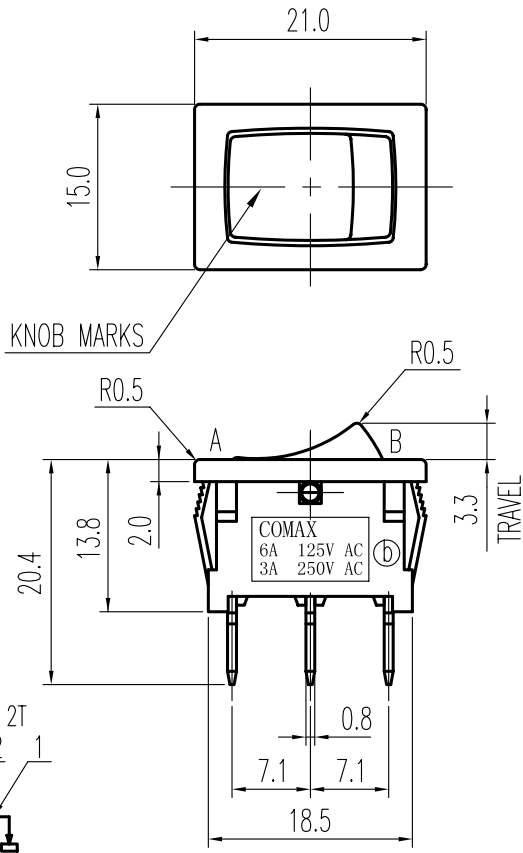
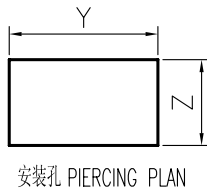


示意图 SCHEMATIC

THK	Y	Z
0.75—1.00	19.40 ^{+0.00} _{-0.10}	13.00 ^{+0.00} _{-0.10}
1.00—2.00	19.60 ^{+0.00} _{-0.10}	13.00 ^{+0.00} _{-0.10}
2.00—2.50	20.20 ^{+0.00} _{-0.10}	13.00 ^{+0.00} _{-0.10}



规格 Specifications

额定负荷 Ratings	6A 125 VAC、3A 250 VAC
初期接触电阻 Initial Contact Resistance	30 mΩ Max.
绝缘电阻 Insulation Resistance	DC500 V _{60±5 Sec.} 100 MΩ Min.
抗电强度 Dielectric Voltage	AC1000 V(50~60HZ) 60±5 Sec.
操作力 Operating Force	A ⇌ B 400±200 gf
负荷寿命 Operating Life With Load	10,000 cycles

序NO.	零件 PART	材料 MATERIAL	数量 QTY	备注 REMARKS
7	铆钉 RIVET	AgNi Alloy	2	NATURAL
6	接触片 CONTACT PLATE	C2680R	1	Ag PLATED
5	滑块 SLIDER	P B T	1	BLACK C
4	弹簧 SPRING	SUS	1	NATURAL
3	端子 TERMINAL A B	C2680R	3	Ag PLATED
2	胶柄 KNOB	A B S	1	BLACK C
1	胶壳 HOUSING	PA	1	BLACK C

标号 REV	内容 DESCRIPTION	签名 SIGN.	日期 DATE
A02	修改标志中COMAX的位置	见ⓐ	刘红梅 06-08-10
A01	修改	见ⓑ	刘红梅 06/05/26
01			赖立辉 1997/6/17



DWG NO. ITEM2100

TOLERANCES UNLESS OTHERWISE SPEC.		TITLE	ROCKER SWITCHES		ITEM NO	SW-12A06N	
UNDER 1	± 0.10	DRAWN	刘红梅	06-08-10	VERSION	A02	PAGE 1 OF 1
1 - 10	± 0.30	REVIEWED	张念明	06-08-10	SCALE		UNIT mm
OVER 10	± 0.50	APPROVED	刘瑞富	06-08-12	PROJECTION		

COMAX ELECTRONICS (HUIZHOU) CO.,LTD.

Looking for pricing, stock, or lifecycle information?

Click below to explore more details on WIN SOURCE:

-  [View SW12A06NF01](#) on WIN SOURCE
-  [C&K Components](#) Information

Optimize Your Supply Chain with WIN SOURCE Solutions

-  Global Sourcing Solution
-  Obsolete Management
-  Cost Control Management
-  Shortage Management
-  Alternative Solution
-  Excess Inventory Management