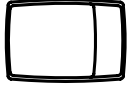
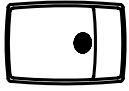
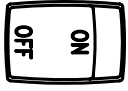
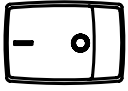




**THE DATASHEET OF  
SW12A06NB02**



ITEM NO.	SW-12A06N-A01	SW-12A06N-B01	SW-12A06N-C01	SW-12A06N-F01
KNOB MARKS				

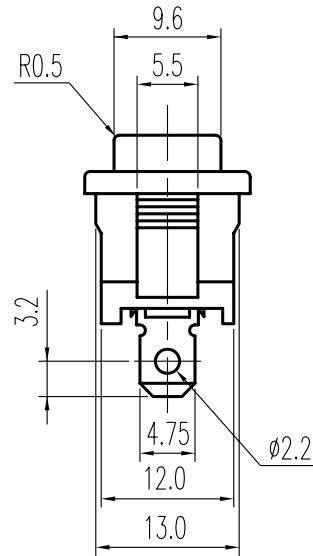
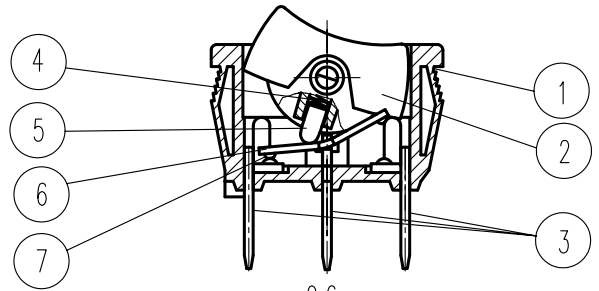
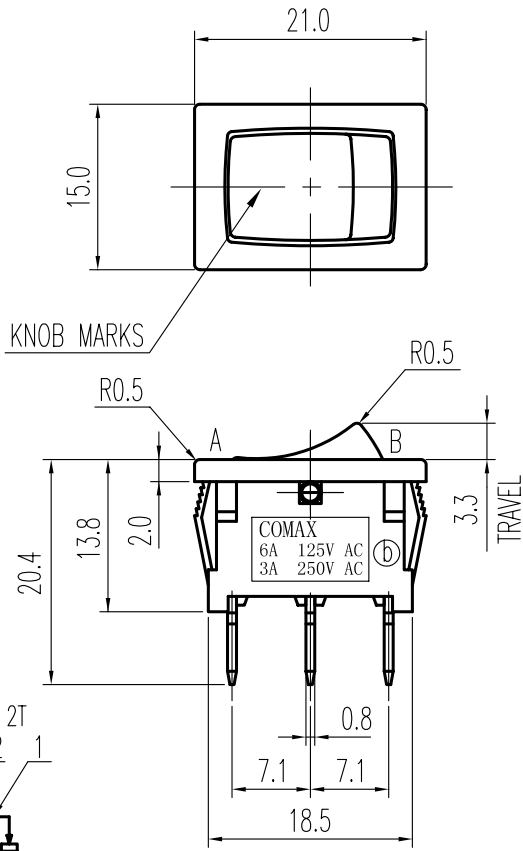
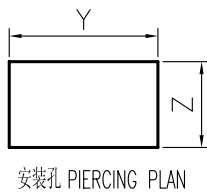


示意图 SCHEMATIC

THK	Y	Z
0.75—1.00	19.40 <sup>+0.00</sup> <sub>-0.10</sub>	13.00 <sup>+0.00</sup> <sub>-0.10</sub>
1.00—2.00	19.60 <sup>+0.00</sup> <sub>-0.10</sub>	13.00 <sup>+0.00</sup> <sub>-0.10</sub>
2.00—2.50	20.20 <sup>+0.00</sup> <sub>-0.10</sub>	13.00 <sup>+0.00</sup> <sub>-0.10</sub>



规格 Specifications

额定负荷 Ratings	6A 125 VAC、3A 250 VAC
初期接触电阻 Initial Contact Resistance	30 mΩ Max.
绝缘电阻 Insulation Resistance	DC500 V <sub>60±5 Sec.</sub> 100 MΩ Min.
抗电强度 Dielectric Voltage	AC1000 V(50~60HZ) 60±5 Sec.
操作力 Operating Force	A ⇌ B 400±200 gf
负荷寿命 Operating Life With Load	10,000 cycles

序NO.	零件 PART	材料 MATERIAL	数量 QTY	备注 REMARKS
7	铆钉 RIVET	AgNi Alloy	2	NATURAL
6	接触片 CONTACT PLATE	C2680R	1	Ag PLATED
5	滑块 SLIDER	P B T	1	BLACK C
4	弹簧 SPRING	SUS	1	NATURAL
3	端子 TERMINAL A B	C2680R	3	Ag PLATED
2	胶柄 KNOB	A B S	1	BLACK C
1	胶壳 HOUSING	PA	1	BLACK C

标号 REV	内容 DESCRIPTION	签名 SIGN.	日期 DATE
A02	修改标志中COMAX的位置	见ⓐ	刘红梅 06-08-10
A01	修改	见ⓑ	刘红梅 06/05/26
01			赖立辉 1997/6/17

DWG NO. ITEM2100

TOLERANCES UNLESS OTHERWISE SPEC.		TITLE	ROCKER SWITCHES		ITEM NO	SW-12A06N	
UNDER 1	± 0.10	DRAWN	刘红梅	06-08-10	VERSION	A02	PAGE 1 OF 1
1 - 10	± 0.30	REVIEWED	张念明	06-08-10	SCALE		UNIT mm
OVER 10	± 0.50	APPROVED	刘瑞富	06-08-12	PROJECTION		

**COMAX** ELECTRONICS (HUIZHOU) CO.,LTD.

## Looking for pricing, stock, or lifecycle information?

Click below to explore more details on WIN SOURCE:

- ⊖ [View SW12A06NB02](#) on WIN SOURCE
- ⊖ [C&K Components](#) Information

## Optimize Your Supply Chain with WIN SOURCE Solutions

- ✓ Global Sourcing Solution
- ✓ Obsolete Management
- ✓ Cost Control Management
- ✓ Shortage Management
- ✓ Alternative Solution
- ✓ Excess Inventory Management