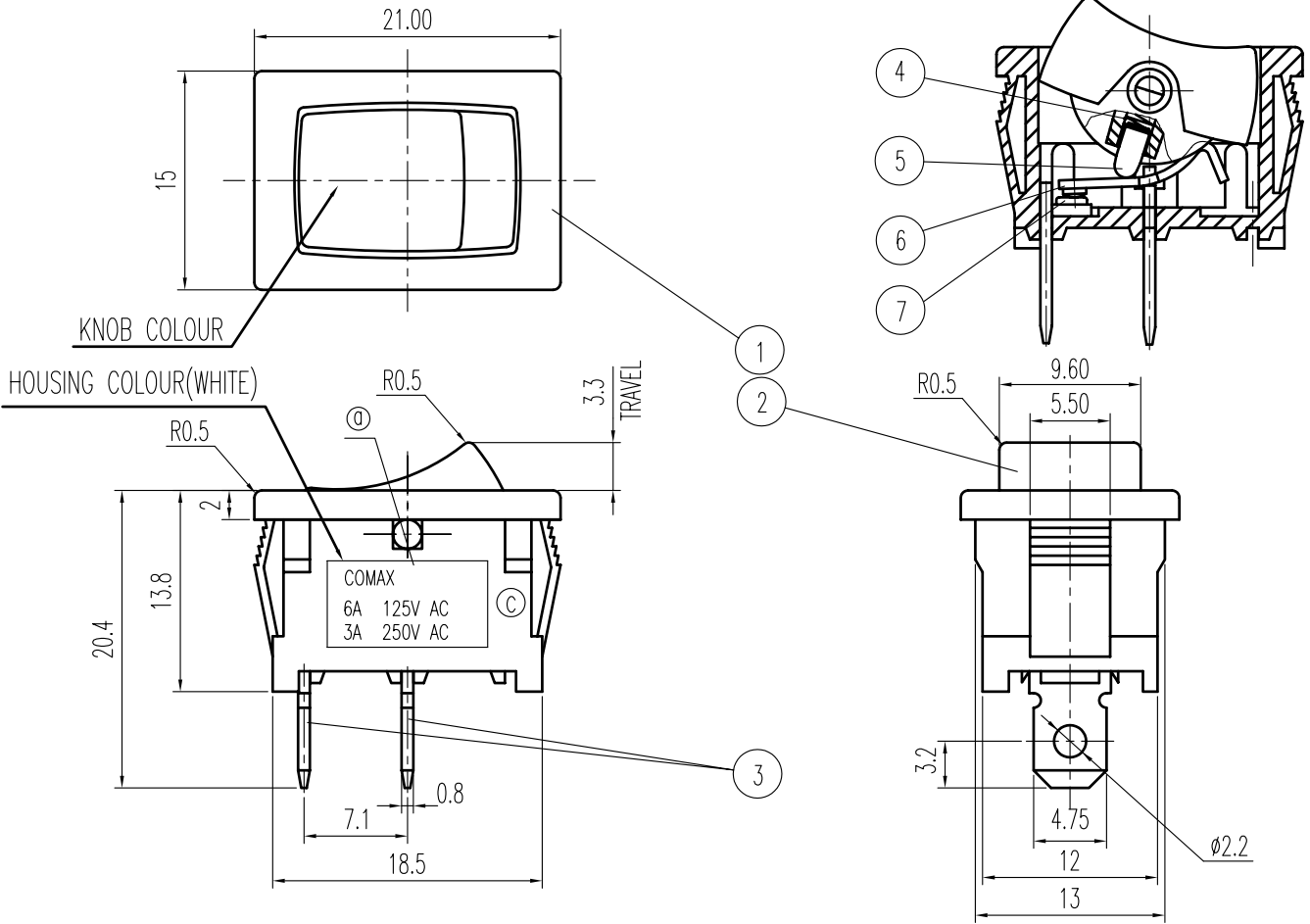




**THE DATASHEET OF
SW11A06NA03AP**



ITEM NO.	SW-11A06N-A01	SW-11A06N-B01	SW-11A06N-C01	SW-11A06N-CR01	SW-11A06N-F01	SW-11A06N-F02
KNOB COLOUR	WHITE	WHITE	WHITE	WHITE	WHITE	RED
KNOB MARKS						



1P - 1T

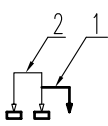
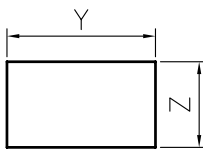


示意图 SCHEMATIC

THK	Y	Z
0.75—1.00	19.40 ^{0.00} _{-0.10}	13.00 ^{0.00} _{-0.10}
1.00—2.00	19.60 ^{0.00} _{-0.10}	13.00 ^{0.00} _{-0.10}
2.00—2.50	20.20 ^{0.00} _{-0.10}	13.00 ^{0.00} _{-0.10}



安装孔 PIERCING PLAN

规格 Specifications

额定负荷 Ratings	6A 125V AC, 3A 250V AC
初期接触电阻 Initial Contact Resistance	30 m Ω Max.
绝缘电阻 Insulation Resistance	DC500 V _{60±5 Sec.} 100 M Ω Min.
抗电强度 Dielectric Voltage	AC1000 V(50~60HZ) 60±5 Sec.
操作力 Operating Force	400±200 gf
机械寿命 Operating Life Without Load	10,000 cycles

7	触点 CONTACT	AgNi Alloy	2	NATURAL
6	接触片 CONTACT PLATE	C2680R	1	Ag PLATED
5	滑块 SLIDER	P B T	1	BLACK C
4	弹簧 SPRING	SUS	1	NATURAL
3	端子 TERMINAL A B	C2680R	2	Ag PLATED
2	胶柄 KNOB	A B S	1	BLACK C
1	胶壳 HOUSING	PA	1	BLACK C
序号 NO.	零件 PART	材料 MATERIAL	数量 QTY	备注 REMARKS

A03	取消: U标志	见 C	刘红梅	2006-8-19
A02	修改见 D		刘红梅	2006/3/21
A01	修改见 E		何景洪	2005/4/1
标号 REV	内容 DESCRIPTION	签名 SIGN.	日期 DATE	

TOLERANCES UNLESS OTHERWISE SPEC.		TITLE	ROCKER SWITCHES		ITEM NO	SW-11A06N	
UNDER 1	± 0.10	DRAWN	刘红梅	2006-8-19	VERSION	A03	PAGE 1 OF 1
1 - 10	± 0.30	REVIEWED	王光云 (代)	2006-8-21	SCALE		UNIT mm
OVER 10	± 0.50	APPROVED	刘瑞富	2006-8-21	PROJECTION		

COMAX ELECTRONICS (HUIZHOU) CO.,LTD.

Looking for pricing, stock, or lifecycle information?

Click below to explore more details on WIN SOURCE:

- ⊖ [View SW11A06NA03AP](#) on WIN SOURCE
- ⊖ [C&K Components](#) Information

Optimize Your Supply Chain with WIN SOURCE Solutions

- ✓ Global Sourcing Solution
- ✓ Obsolete Management
- ✓ Cost Control Management
- ✓ Shortage Management
- ✓ Alternative Solution
- ✓ Excess Inventory Management