



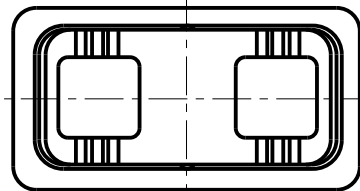
**THE DATASHEET OF  
SRL91-22ARN3-BB9N**



HONEYWELL  
PART NUMBER



REV	DOCUMENT	CHANGED BY	CHECK
A	0016321	LKM 24OCT05	VA

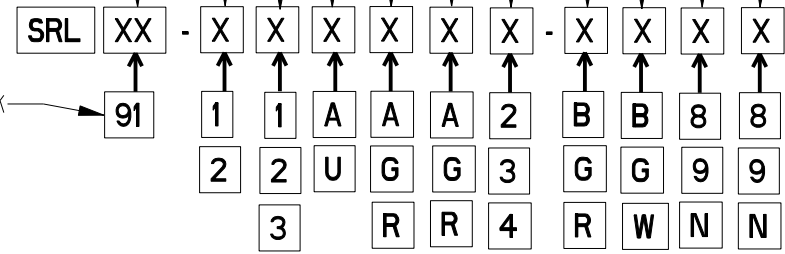


POS1 POS2 POS3

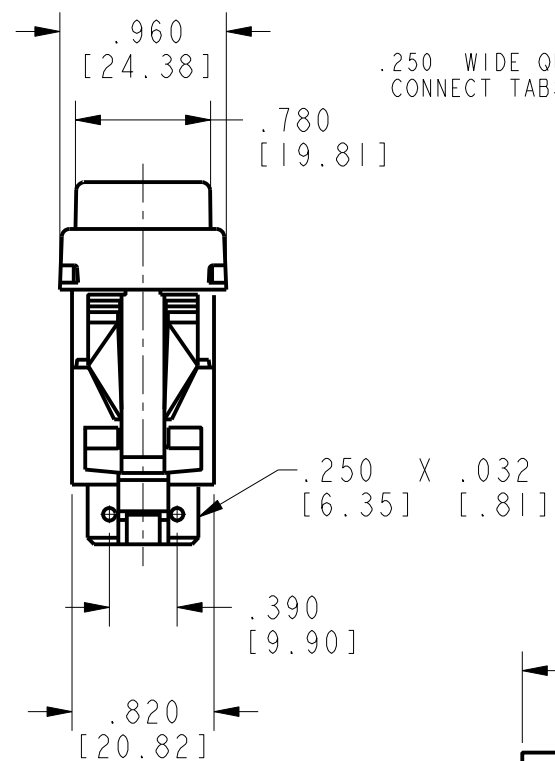
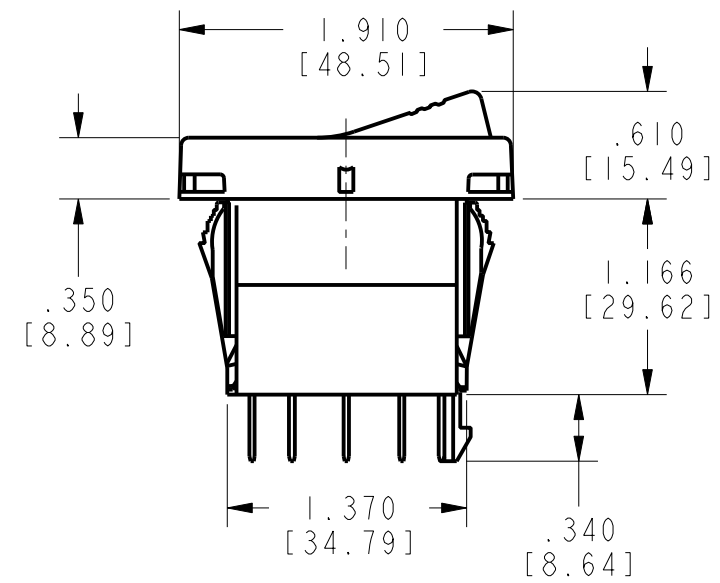
(A=AMBER, G=GREEN, R=RED, N=NONE)  
LAMP   
(A=AMBER, G=GREEN, R=RED, N=NONE)  
LAMP   
ILLUMINATION STYLE   
CIRCUITRY   
LED VOLTAGE (2=6V, 3=12V, 4=24V)  
ACTUATOR COLOR (B=BLACK, G=GRAY, R=RED, W=WHITE)  
BASE/BEZEL COLOR (B=BLACK, G=GRAY, W=WHITE)  
LENS STYLE AND COLOR   
8 = WHITE TRANSLUCENT BAR  
9 = WHITE TRANSLUCENT SQUARE  
N=NONE  
LENS STYLE AND COLOR   
8 = WHITE TRANSLUCENT BAR  
9 = WHITE TRANSLUCENT SQUARE  
N=NONE

NUMBER OF POLES  
(1=SP-SINGLE POLE, USES TERMINALS 1-2-3)  
(2=DP-DOUBLE POLE, USES TERMINALS 1-2-3 AND 4-5-6)

TERMINAL STYLE

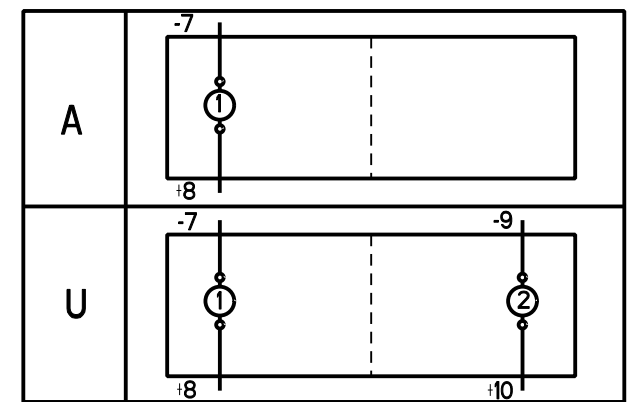


.250 WIDE QUICK CONNECT TABS



ELECTRICAL RATINGS AND APPROVALS	
10A 250VAC 1/2HP	15A 125VAC 1/2HP
UL, CSA	

	CIRCUIT MADE WITH ROCKER IN  POSITION 3 (1&2, 4&5)		
	POSITION 3 (1&2, 4&5)	POSITION 2 (2&3, 5&6)	POSITION 1 (2&3, 5&6)
1	ON	OFF	ON
2	OFF	NONE	ON
3	ON	NONE	ON
4	(OFF)	NONE	ON
5	(ON)	OFF	ON
6	OFF	NONE	(ON)
7	(ON)	OFF	(ON)
8	(ON)	NONE	ON



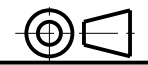
ILLUMINATION CIRCUIT DIAGRAMS 9

**MOUNTING HOLE**  
PANEL THICKNESS (SNAP-IN BRACKET)  
.030 MIN - .187 MAX  
[.76] [4.75]

- 1 - OPERATING TEMPERATURE RANGE : -40°F TO +185°F (-40°C TO +85°C)
- 2 - ELECTRICAL LIFE : 50,000 CYCLES MOMENTARY, 100,000 CYCLES MAINTAINED
- 3 - MECHANICAL LIFE : 150,000 CYCLES MIN
- 4 - SEE DIAGRAM FOR CATALOGING SCHEME
- 5 - PARENTHESIS DENOTE MOMENTARY ACTION
- 6 - SEALED TO IP68
- 7 - ABOVE TERMINALS 1 AND 4
- 8 - ABOVE TERMINALS 3 AND 6
- 9 - REFER TO CIRCUIT DIAGRAMS

DESIGN UNITS: INCH	
TOLERANCES UNLESS NOTED:	
NO PLACE X ±	0.040
ONE PLACE .X ±	0.030
TWO PLACE .XX ±	0.015
THREE PLACE .XXX ±	0.015
FOUR PLACE .XXXX ±	0.0005
ANGLES X ±	2

THIRD ANGLE PROJECTION



DRAWN	TSG	14 JUL 05
CHECK	-	-
THIS DRAWING COVERS A PROPRIETARY ITEM AND IS THE PROPERTY OF HONEYWELL. THIS DRAWING IS NOT TO BE COPIED OR USED WITHOUT THE PERMISSION OF HONEYWELL.		
INTERPRET PER ASME Y14.5M-1994 OTHER HONEYWELL ENGINEERING STANDARDS MAY APPLY		
Pro/ENGINEER	2D	

<b>Honeywell</b>			
TITLE <b>SWITCH , ROCKER</b>			
SIZE	TYPE	DRAWING NAME	REV
<b>B</b>	<b>I</b>	<b>SRL SERIES CHART 1</b>	<b>A</b>
SCALE	-	SHEET	1 OF 1

## Looking for pricing, stock, or lifecycle information?

Click below to explore more details on WIN SOURCE:

 [View SRL91-22ARN3-BB9N on WIN SOURCE](#)

 [Honeywell Information](#)

## Optimize Your Supply Chain with WIN SOURCE Solutions

-  Global Sourcing Solution
-  Obsolete Management
-  Cost Control Management
-  Shortage Management
-  Alternative Solution
-  Excess Inventory Management