



**THE DATASHEET OF
JS202011SCQN**



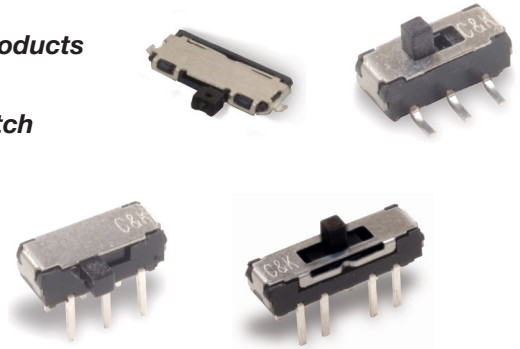
JS Series Sub-Miniature Slide Switches

Features/Benefits

- Positive detent
- Low profile
- IR reflow to 260° solder profile
- Surface and thru hole mounting
- SPDT, DPDT, DP3T models
- RoHS compliant

Typical Applications

- Telecommunication products
- Computer peripherals
- Thermostat select switch
- Instrumentation
- Medical



Specifications

CONTACT RATING: 0.3A@6VDC or 0.1A@30VDC
 ELECTRICAL LIFE: 5,000 make-and-break cycles
 CONTACT RESISTANCE: 70 m Ω max.
 INSULATION RESISTANCE: 100 M Ω min. @ 500V
 DIELECTRIC STRENGTH: 500 VAC min. @ sea level
 OPERATING TEMPERATURE: -40°C to +85°C
 STORAGE TEMPERATURE: -40°C to +85°C

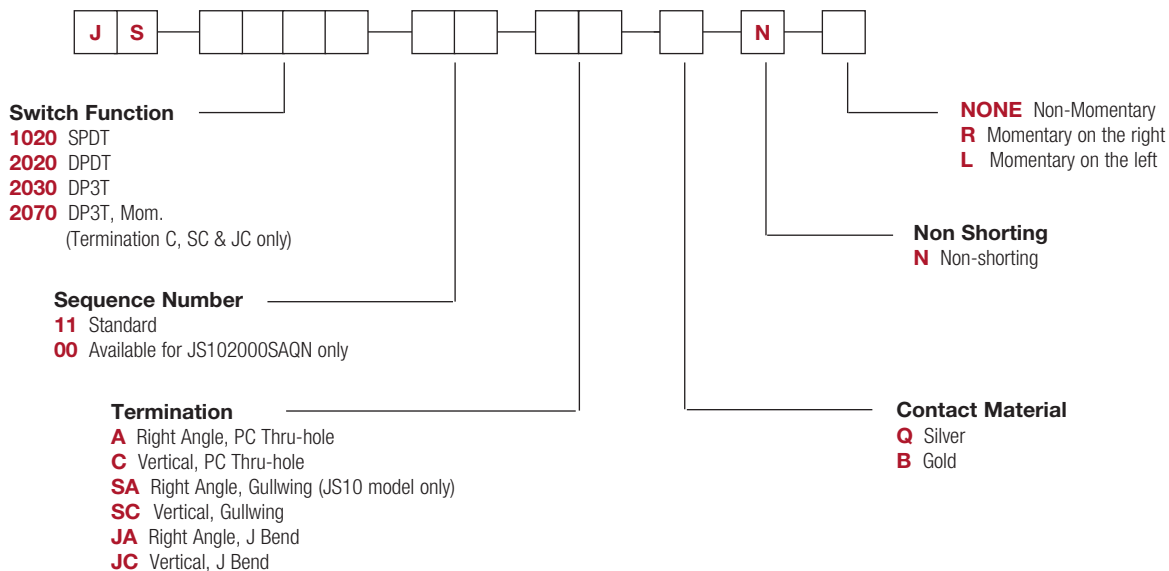
NOTE: Specifications and materials listed above are for switches with standard options.
 For information on specific and custom switches, consult Customer Service Center.

Materials

HOUSING: 4/6 nylon, black
 ACTUATOR: 4/6 nylon, black (some options white)
 CONTACTS: Copper alloy, silver or gold plated
 TERMINALS: Brass, silver or gold plated

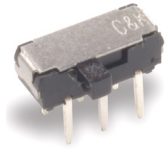
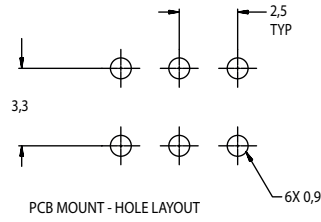
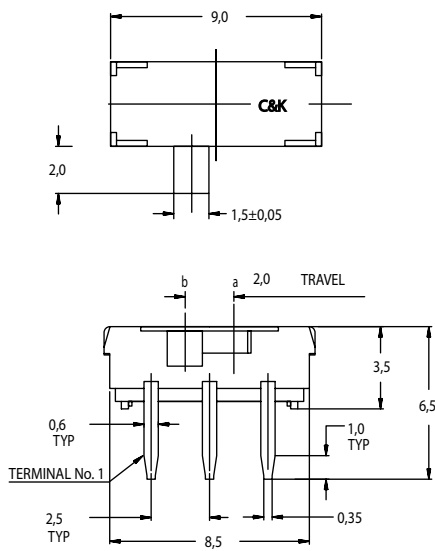
How To Order

Our easy build-a-switch concept allows you to mix and match options to create the switch you need. To order, select desired option from each category and place it in the appropriate box.



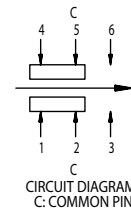
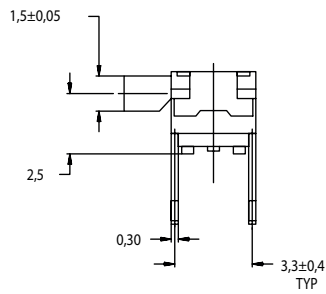
JS Series Sub-Miniature Slide Switches

RIGHT ANGLE, PC THRU-HOLE



Part Number
JS202011AQN
DPDT

Shown in position b



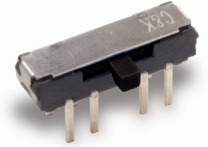
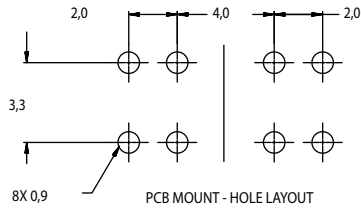
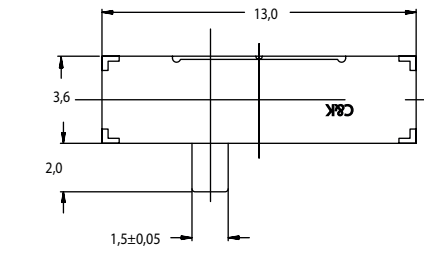
Shown in position b



Slide

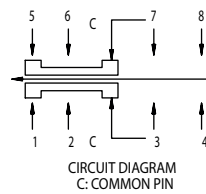
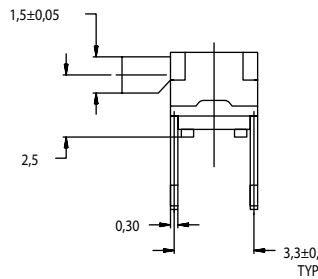
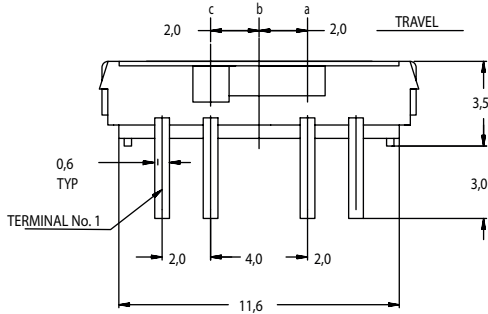
JS Series Sub-Miniature Slide Switches

RIGHT ANGLE, PC THRU-HOLE



Part Number
JS203011AQN
DP3T

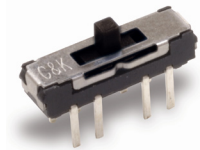
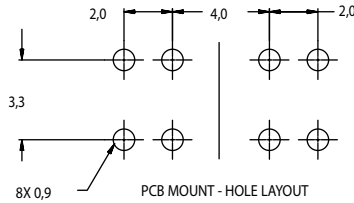
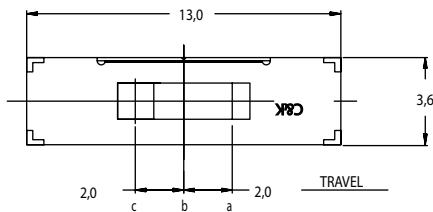
Shown in position b



CIRCUIT DIAGRAM
C: COMMON PIN

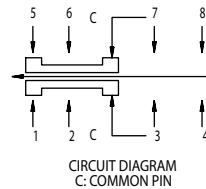
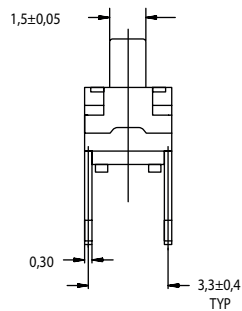
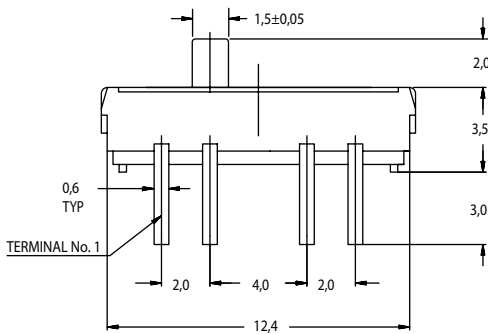
Shown in position c

PC THRU-HOLE



Part Number
JS203011CQN
DP3T

Shown in position b

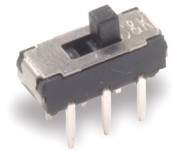
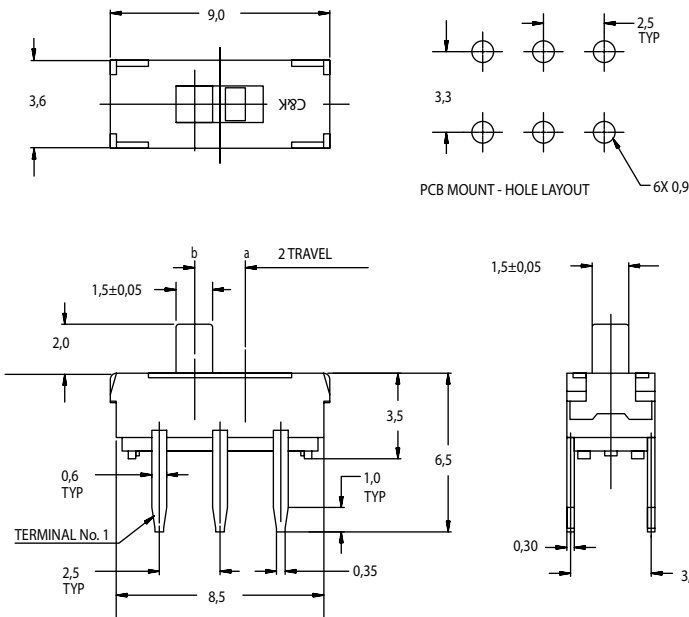


CIRCUIT DIAGRAM
C: COMMON PIN

Shown in position c

JS Series Sub-Miniature Slide Switches

PC THRU-HOLE



Part Number
JS202011CQN
DPDT

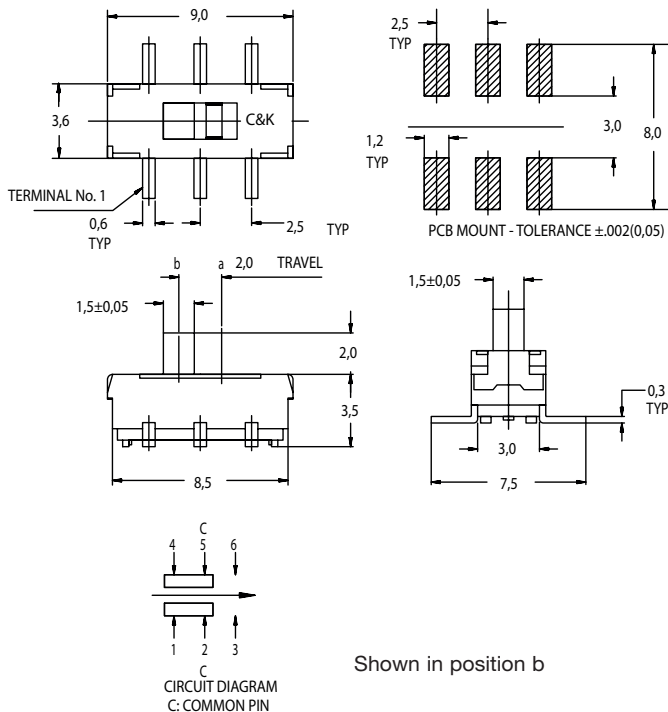
Shown in position a

Shown in position b

SURFACE MOUNT

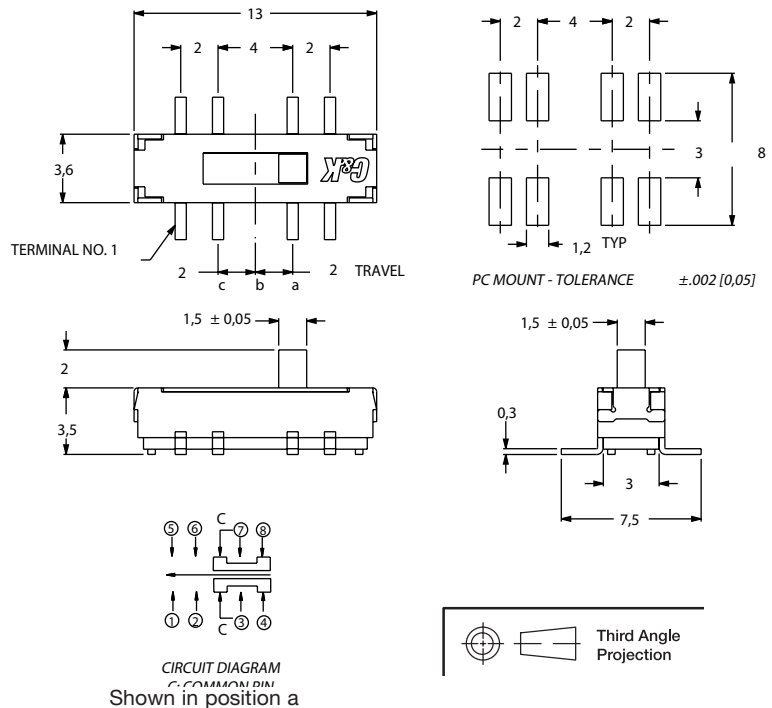
Part number
JS202011SCQN
DPDT

Shown in position b. Quantity per reel 1000
Available in tape & reel only



Part number
JS203011SCQN
DP3T

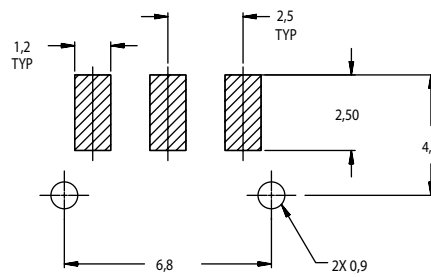
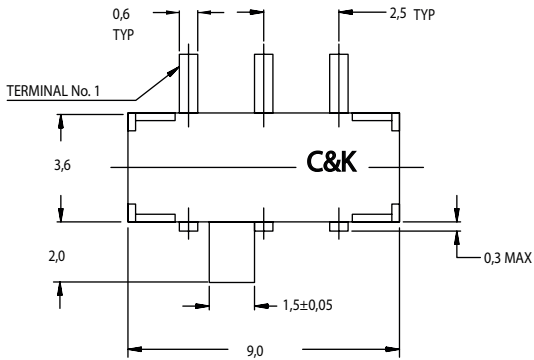
Quantity per reel 900
Available in tape & reel only



Third Angle
Projection

JS Series Sub-Miniature Slide Switches

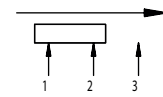
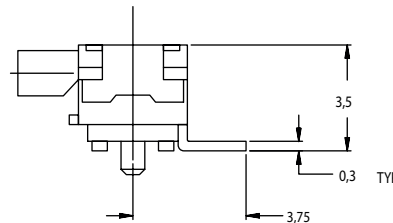
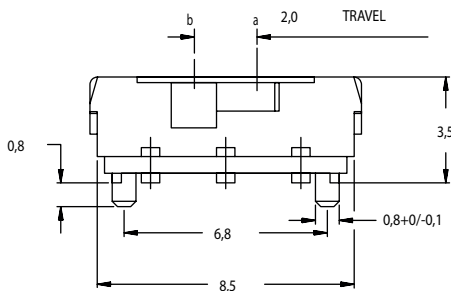
RIGHT ANGLE SURFACE MOUNT



Part Number
JS102011SAQN
SPDT

Shown in position a

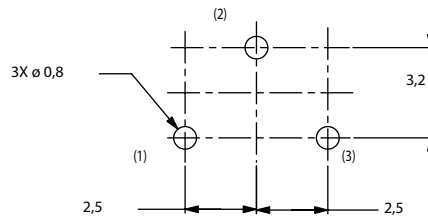
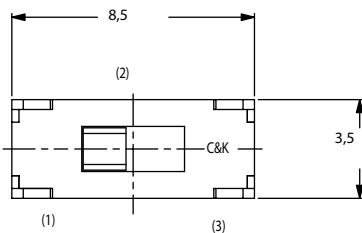
Available in tape & reel only



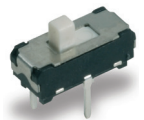
CIRCUIT DIAGRAM
C: COMMON PIN

Shown in position b

PC THRU-HOLE

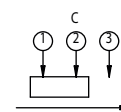
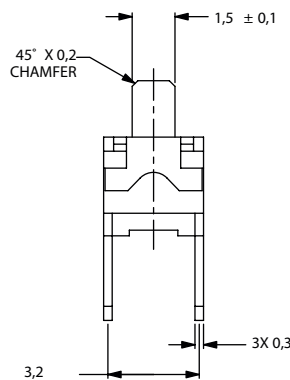
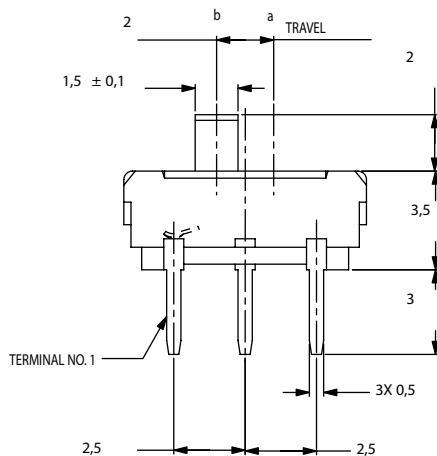


PCB LAYOUT RECOMMENDED



Part Number
JS102011CQN
SPDT

Shown in position a

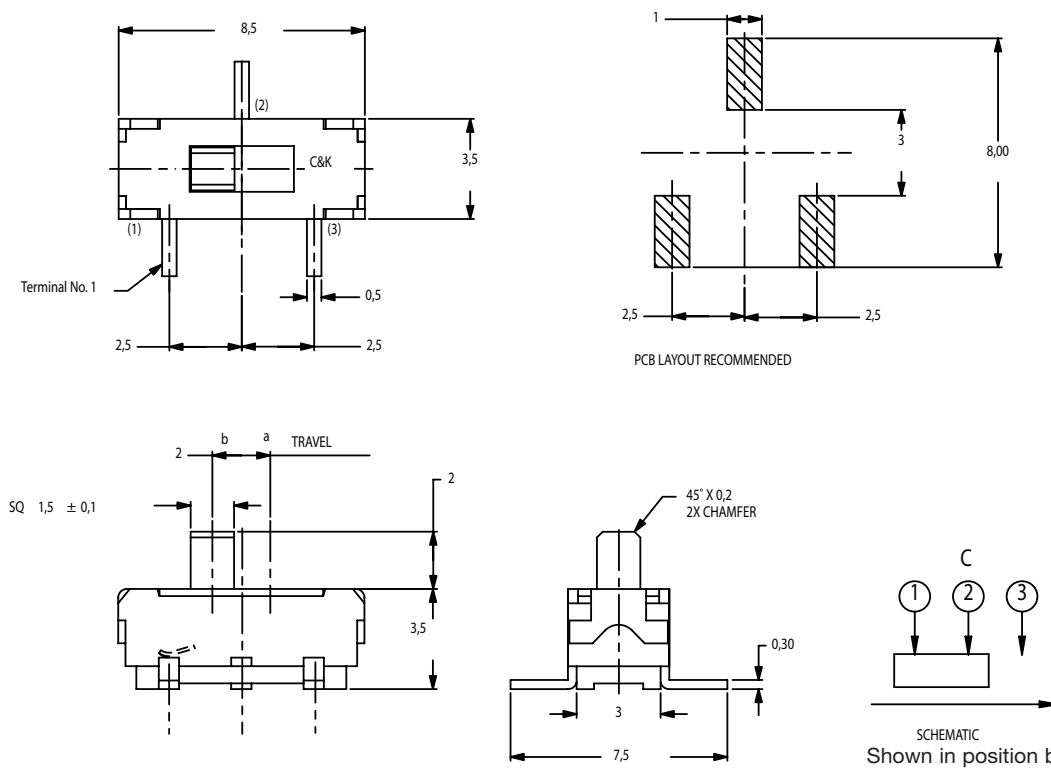


SCHMATIC

Shown in position b

JS Series Sub-Miniature Slide Switches

SURFACE MOUNT

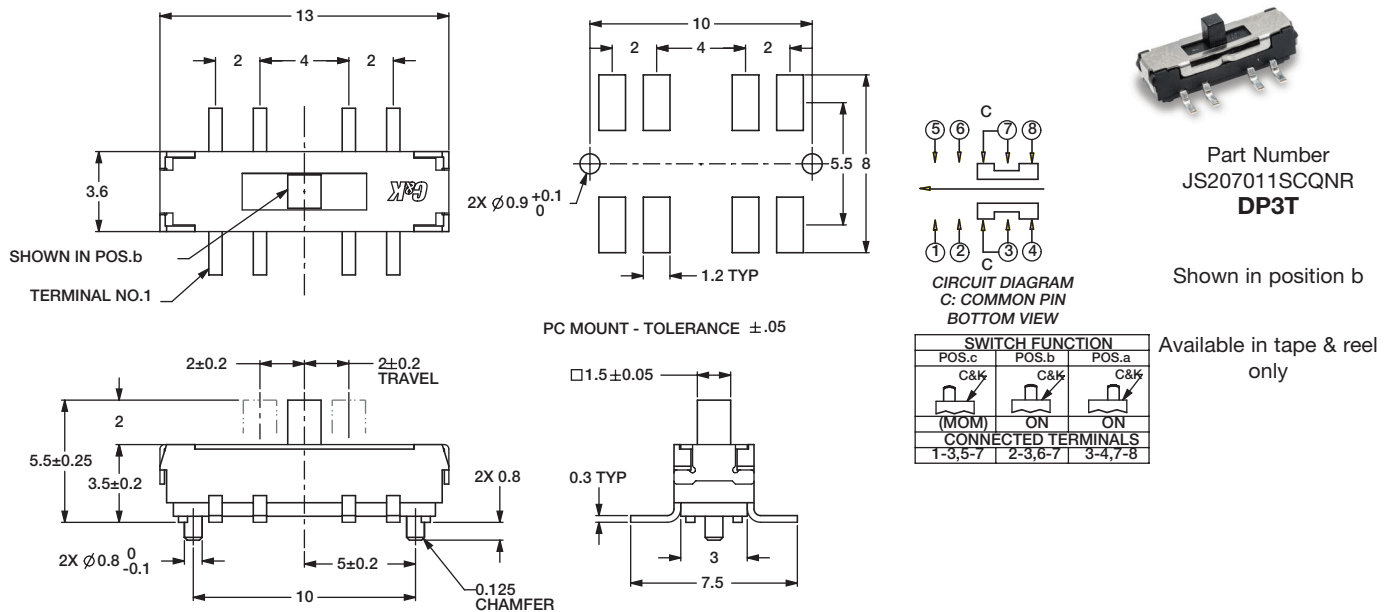


Part Number
JS102011SCQN
SPDT

Shown in position a

Available in tape & reel
only

SURFACE MOUNT



Part Number
JS207011SCQNR
DP3T

Shown in position b

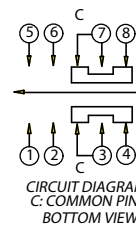
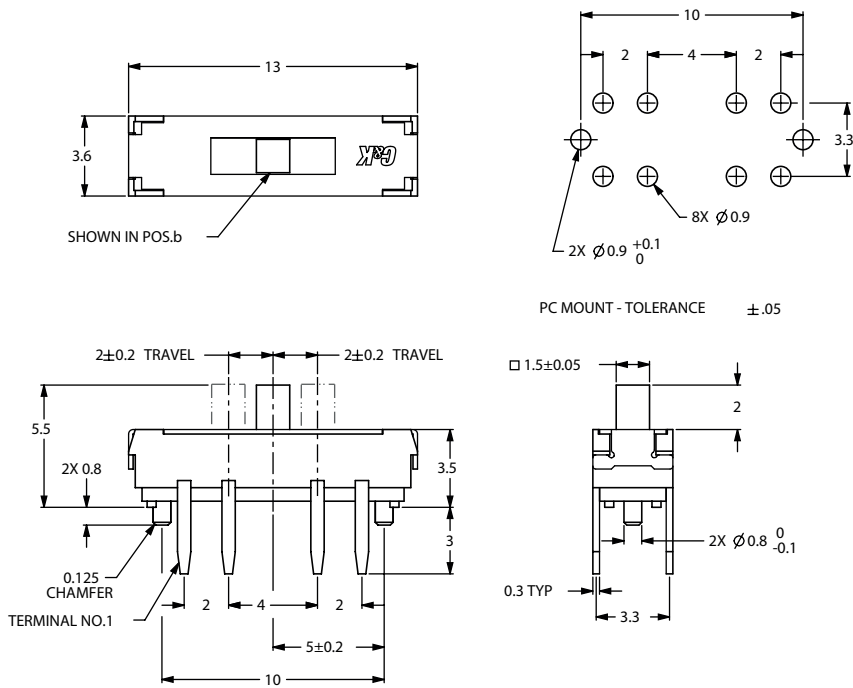
Available in tape & reel
only



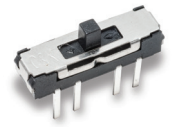
Dimensions are shown: mm
Specifications and dimensions subject to change

JS Series Sub-Miniature Slide Switches

PC THRU-HOLE



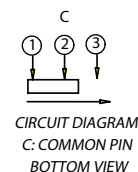
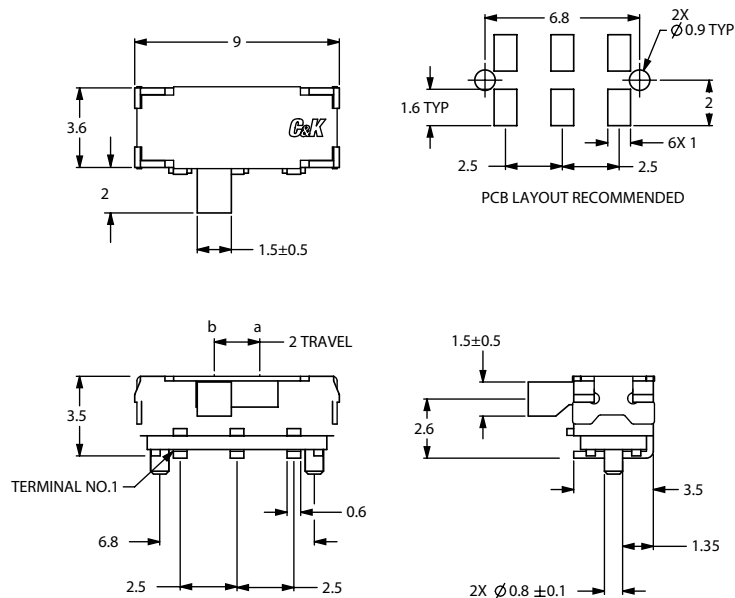
SWITCH FUNCTION		
POS.c	POS.b	POS.a
(MOM)	ON	ON
CONNECTED TERMINALS		
1-3,5-7	2-3,6-7	3-4,7-8



Part Number
JS207011CQNR
DP3T

Shown in position b

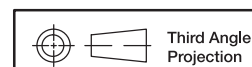
RIGHT ANGLE SURFACE MOUNT



Part Number
JS102011JAQN
SPDT

Shown in position

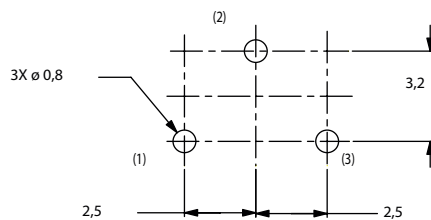
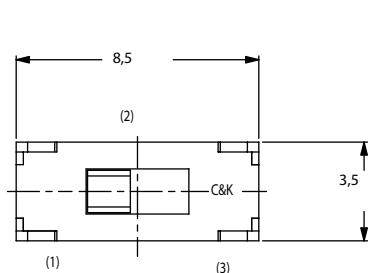
Available in tape & reel only



Dimensions are shown: mm
Specifications and dimensions subject to change

JS Series Sub-Miniature Slide Switches

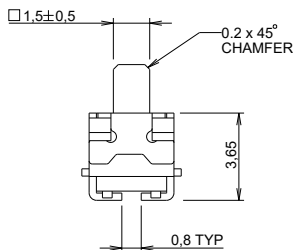
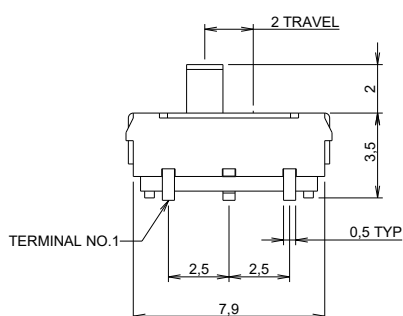
VERTICAL MOUNT SMT - J BEND



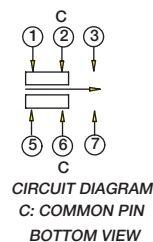
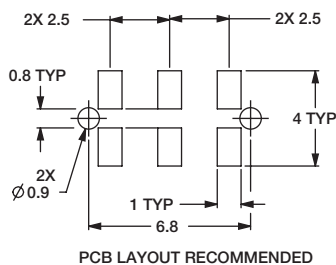
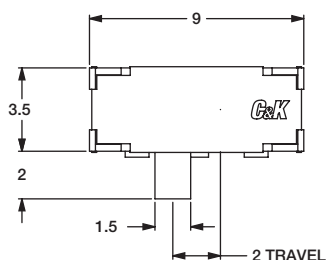
Part Number
JS102011JCQN
SPDT

Available in tape & reel
only

PCB LAYOUT RECOMMENDED



RIGHT ANGLE SURFACE MOUNT

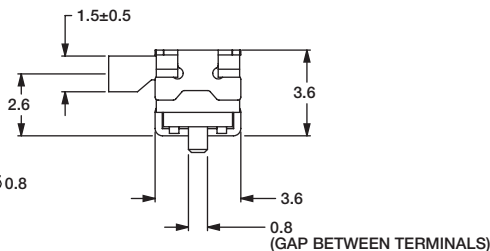
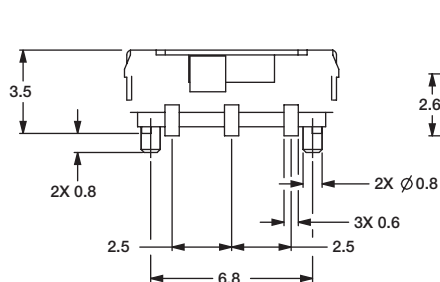


Part Number
JS202011JAQN
DPDT

Shown in position

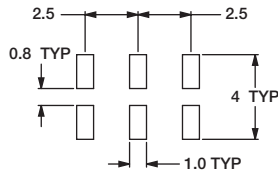
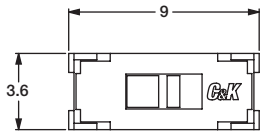
Available in tape & reel
only

PCB LAYOUT RECOMMENDED

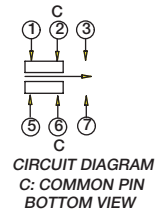


JS Series Sub-Miniature Slide Switches

VERTICAL MOUNT SMT - J BEND



PCB LAYOUT RECOMMENDED

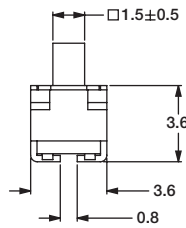
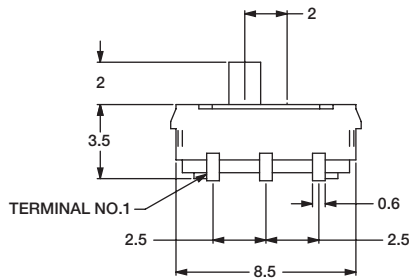


Part Number
JS202011JCQN

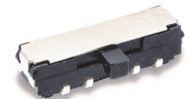
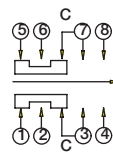
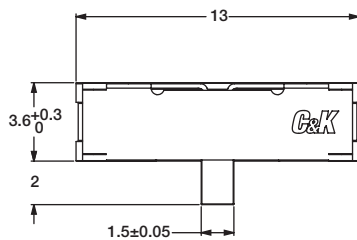
DPDT

Shown in position

Available in tape & reel only



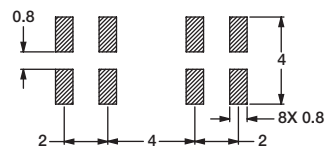
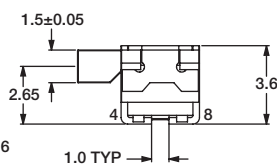
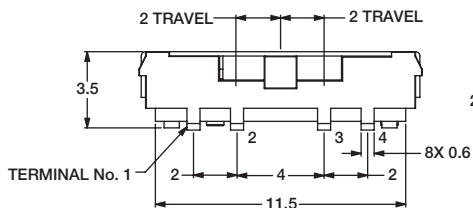
RIGHT ANGLE MOUNT SMT - J BEND



Part Number
JS203011JAQN
DP3T

Shown in position

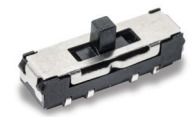
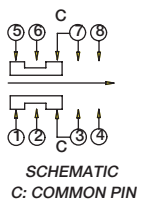
Available in tape & reel only



PCB LAYOUT RECOMMENDED

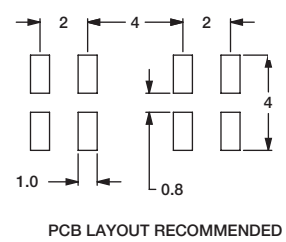
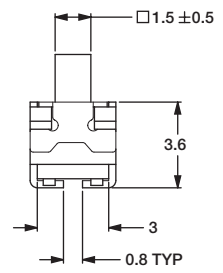
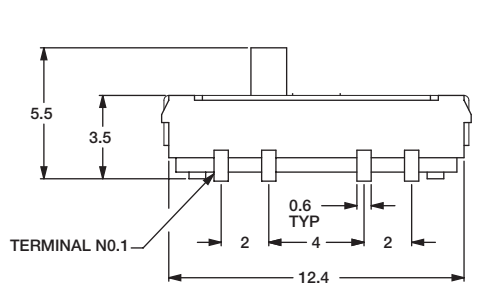
JS Series Sub-Miniature Slide Switches

VERTICAL MOUNT SMT - J BEND

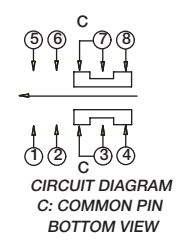
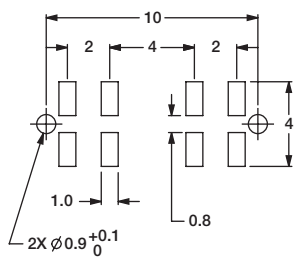
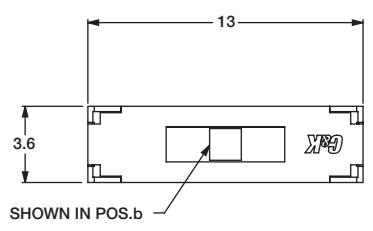


Part Number
JS203011JCQN
DP3T

Shown in position b
Available in tape & reel only

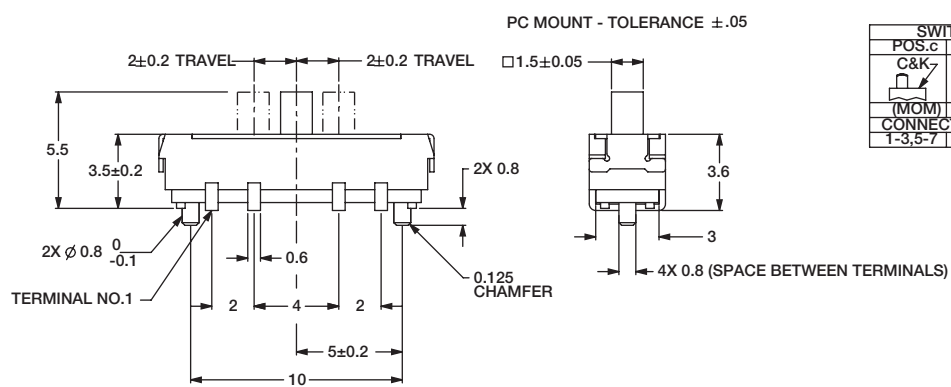


SURFACE MOUNT - J BEND



Part Number
JS207011JCQNR
DP3T

Available in tape & reel only



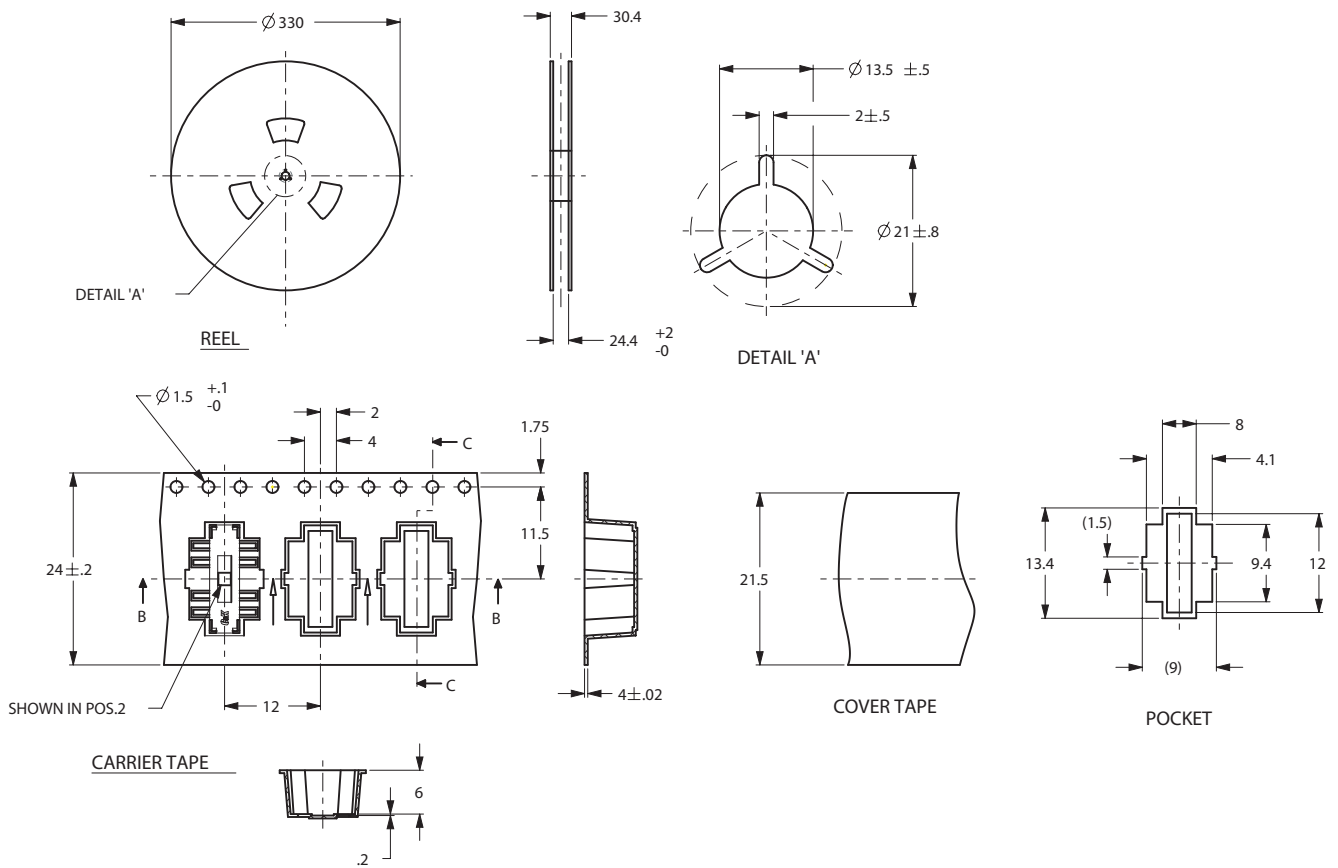
SWITCH FUNCTION		
POS.c	POS.b	POS.a
C&K- (MOM)	C&K- ON	C&K- ON
CONNECTED TERMINALS		
1-3,5-7	2-3,6-7	3-4,7-8

JS Series Sub-Miniature Slide Switches

TAPE AND REEL FOR PART NUMBER JS207011SCQNR, JS207011JCQNR

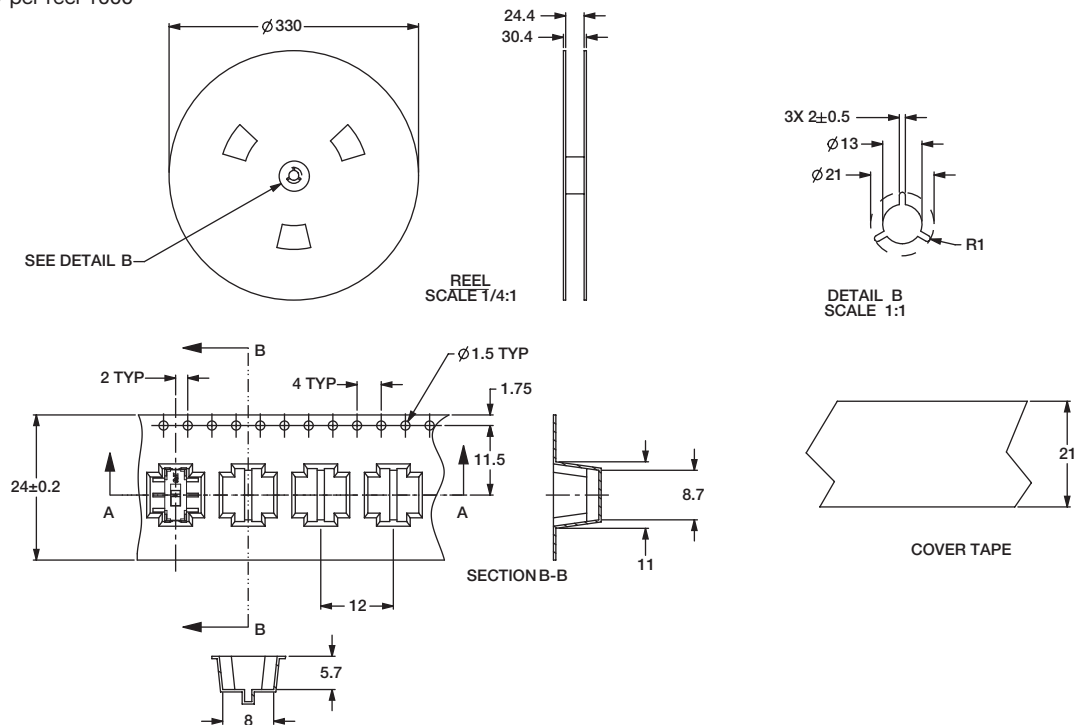
Quantity per reel 800

PACKING DETAIL 800 PCS



TAPE AND REEL FOR PART NUMBER JS202011SCQN

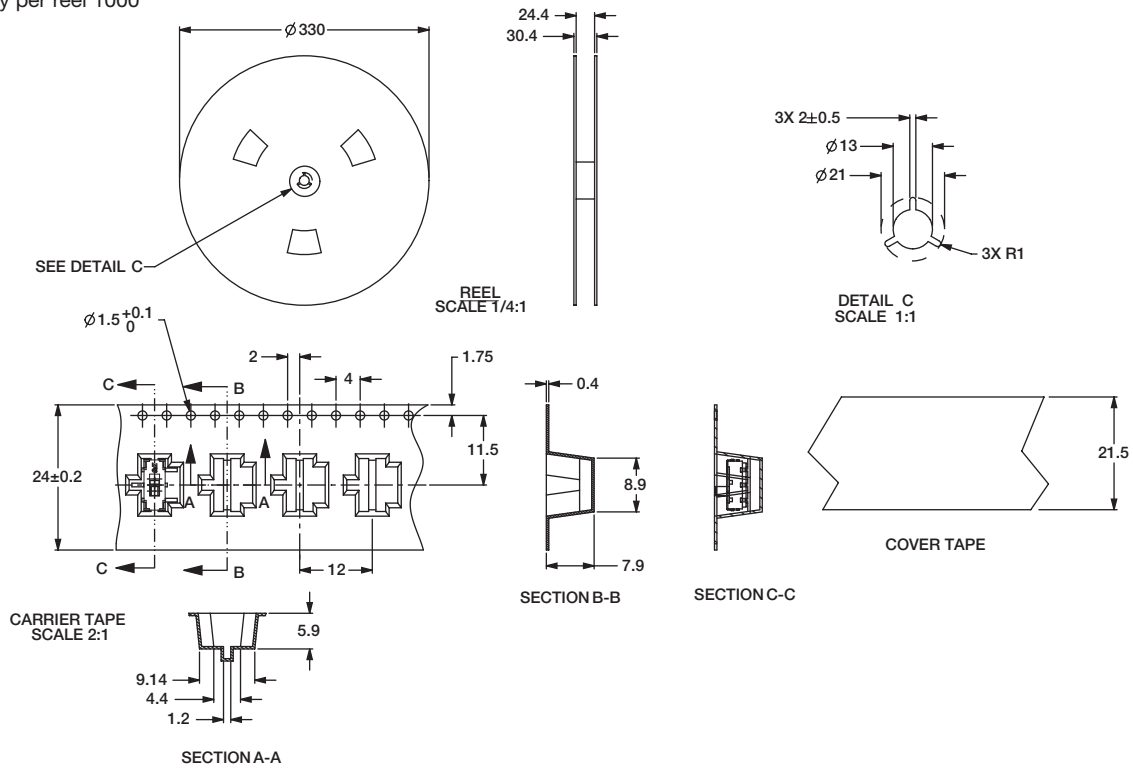
Quantity per reel 1000



JS Series Sub-Miniature Slide Switches

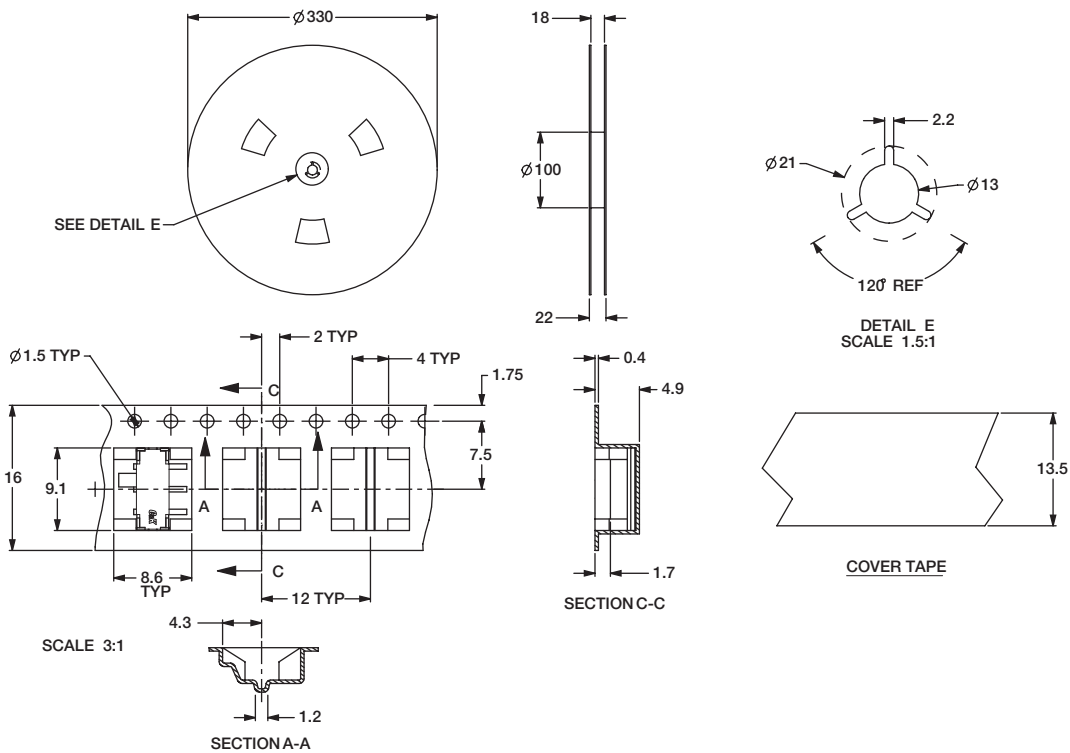
TAPE AND REEL FOR PART NUMBER JS102011SCQN, JS102011JCQN

Quantity per reel 1000



TAPE AND REEL FOR PART NUMBER JS102011SAQN, JS102011JAQN

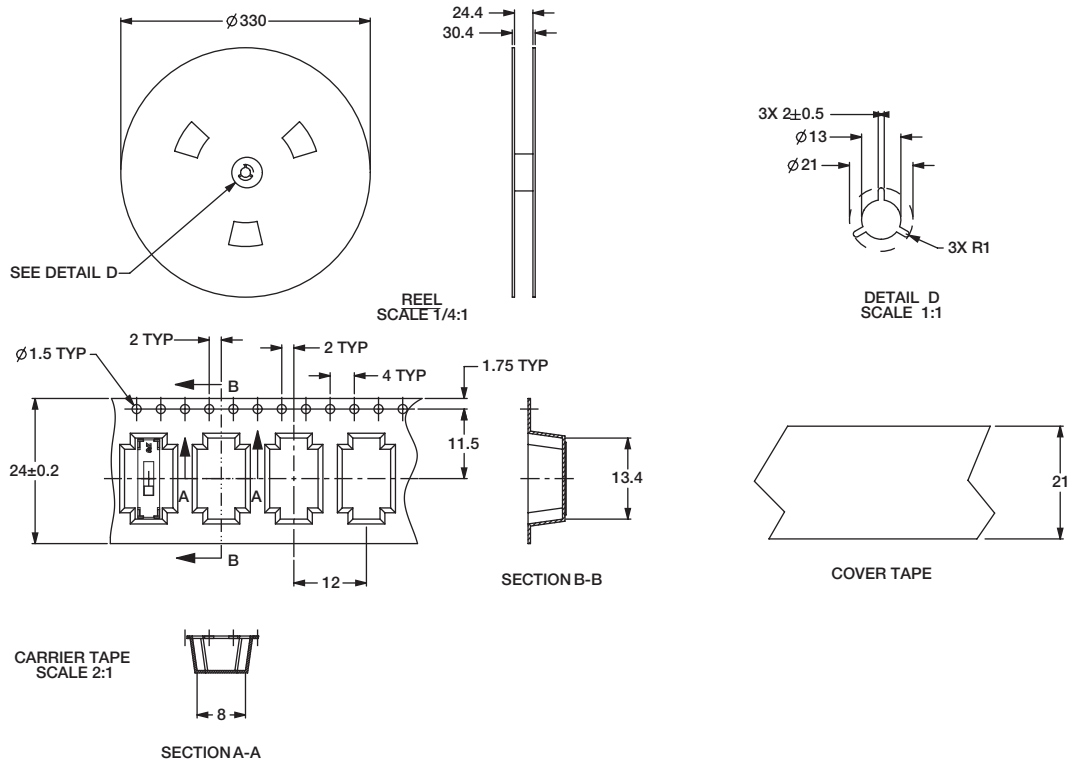
Quantity per reel 1000



Dimensions are shown: mm
Specifications and dimensions subject to change

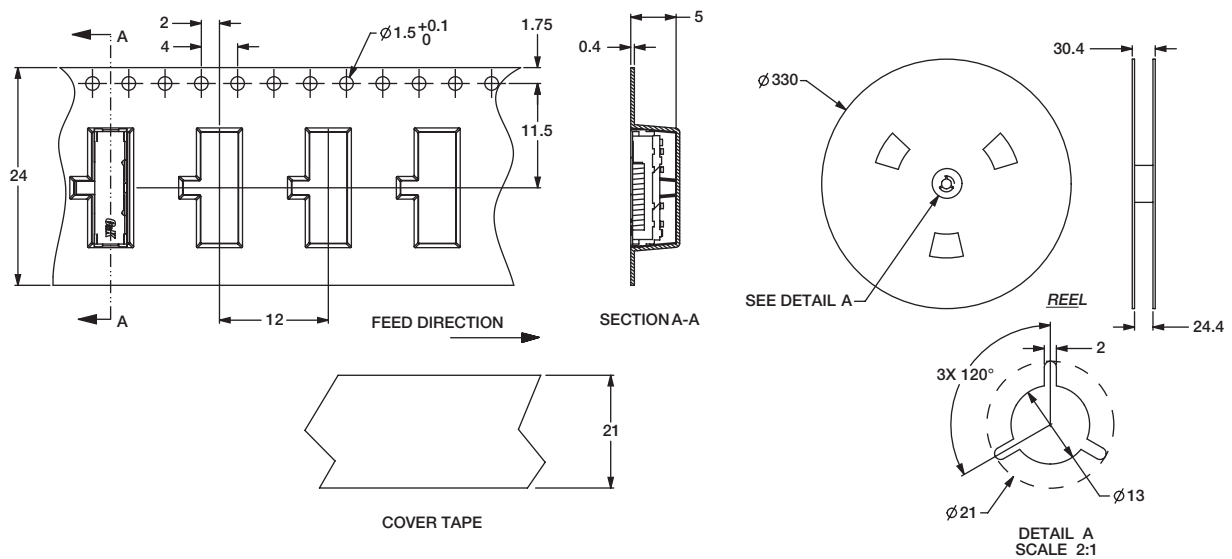
JS Series Sub-Miniature Slide Switches

TAPE AND REEL FOR PART NUMBER JS203011SCQN, JS203011JCQN
Quantity per reel 900



TAPE AND REEL FOR PART NUMBER JS203011JAQN

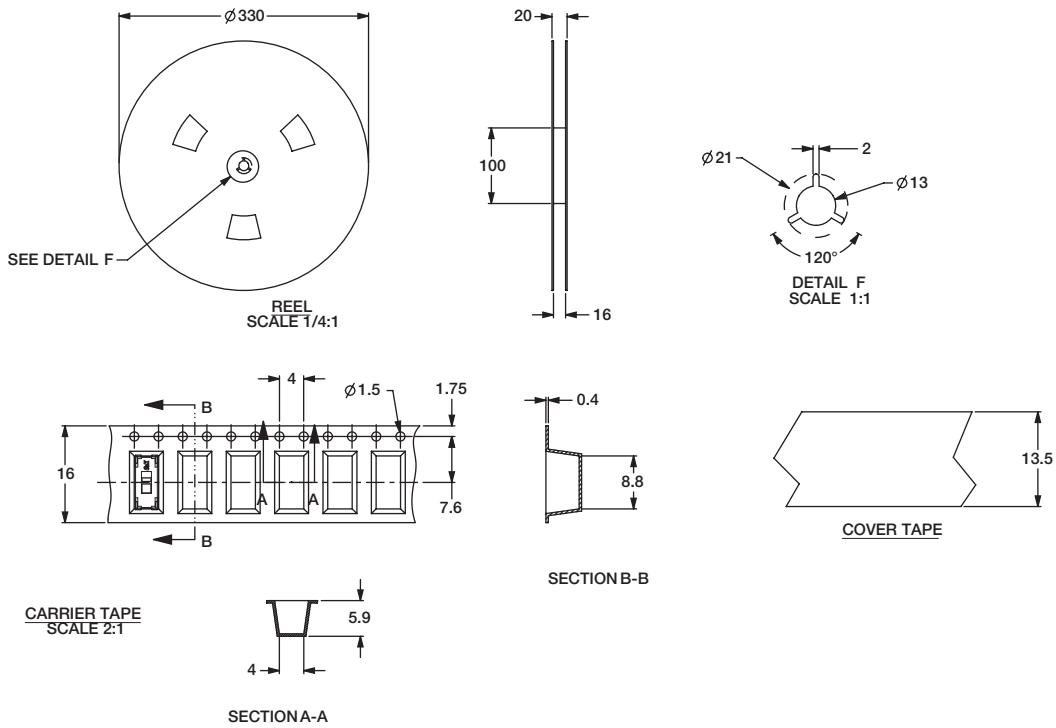
Quantity per reel 1000



JS Series Sub-Miniature Slide Switches

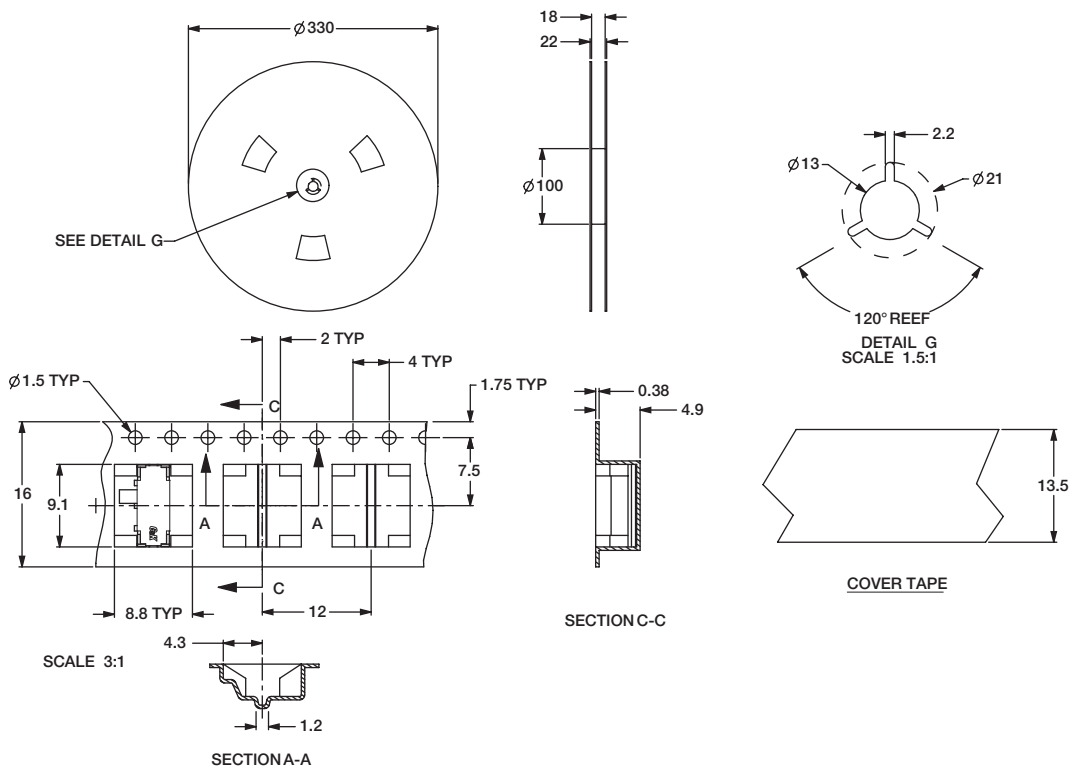
TAPE AND REEL FOR PART NUMBER JS202011JCQN

Quantity per reel 1300



TAPE AND REEL FOR PART NUMBER JS202011JAQN

Quantity per reel 1000



JS Series Sub-Miniature Slide Switches

RIGHT ANGLE SURFACE MOUNT

LOW PROFILE .028±.004 (0.7±0.1) HIGH



Part Number
JS102000SAQN
SPDT

Specifications

CONTACT RATING: 5 VDC @ 1mA

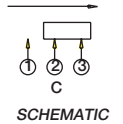
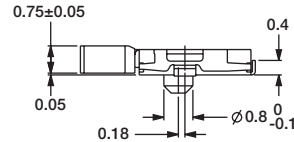
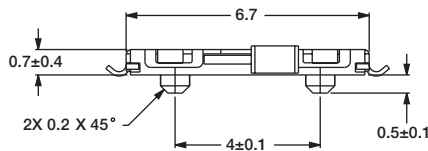
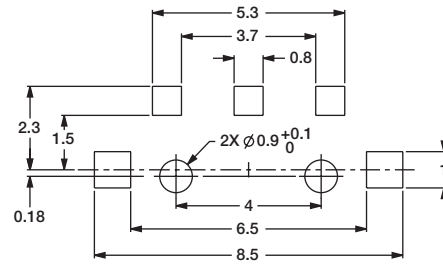
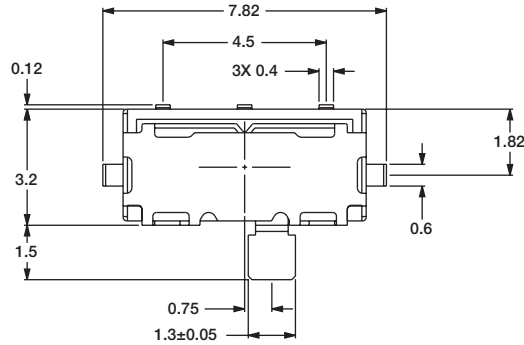
ELECTRICAL LIFE: 15,000 cycles.

CONTACT RESISTANCE: <100 m ohms (initial) <200 m ohms (after processing).

INSULATION RESISTANCE: 100 m ohms @500 VDC.

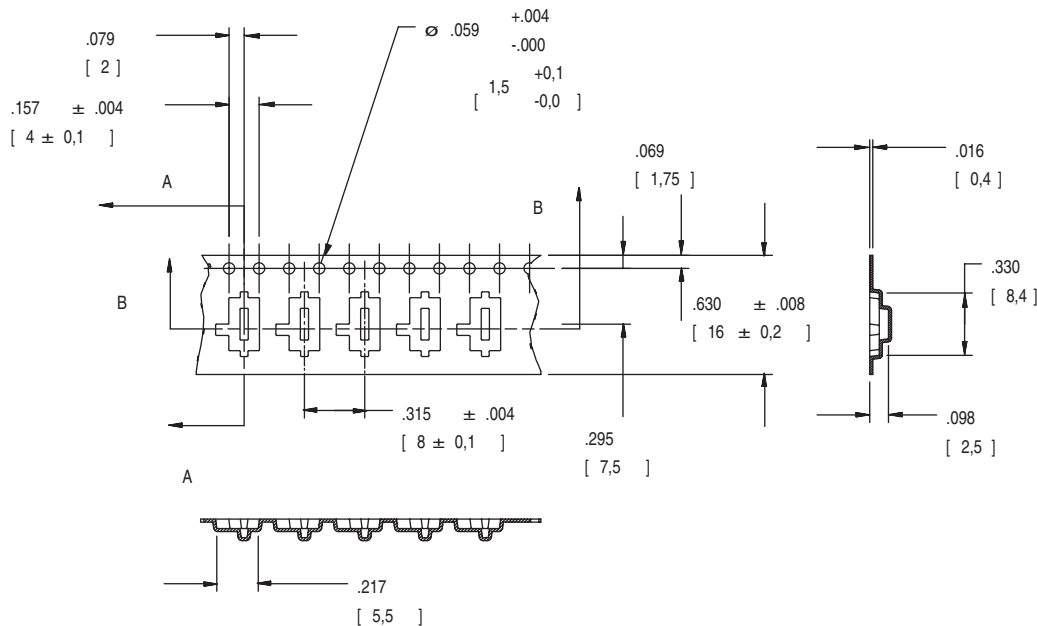
DIELECTRIC STRENGTH: 250 VAC.

OPERATING TEMPERATURE: -40°C to +85°C





TAPE AND REEL FOR PART NUMBER JS102000SAQN

Quantity per reel 4000









Looking for pricing, stock, or lifecycle information?

Click below to explore more details on WIN SOURCE:

-  [View JS202011SCQN](#) on WIN SOURCE
-  [C&K Components](#) Information

Optimize Your Supply Chain with WIN SOURCE Solutions

-  Global Sourcing Solution
-  Obsolete Management
-  Cost Control Management
-  Shortage Management
-  Alternative Solution
-  Excess Inventory Management