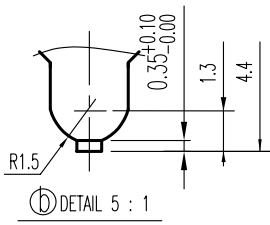
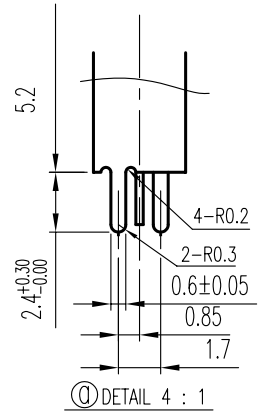
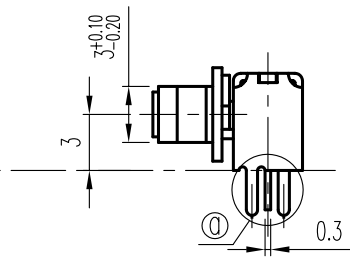
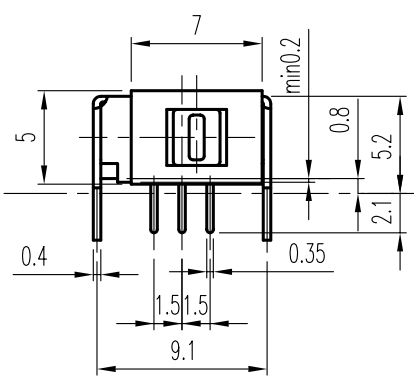
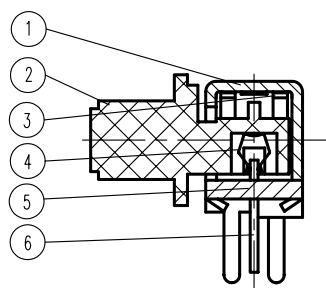
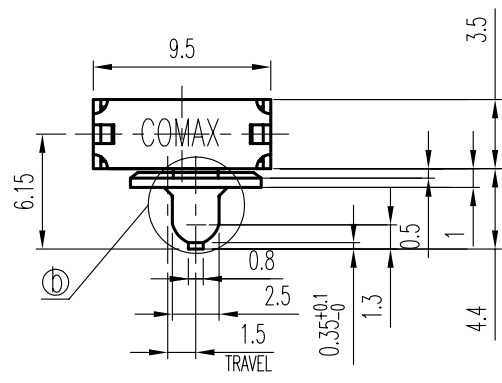




**THE DATASHEET OF
SK-12C06-MG 4.4 NS**





规格 Specifications

额定负荷 Ratings	DC 30 V 0.2 A
接触电阻 Contact Resistance	20 mΩ or less
绝缘电阻 Insulation Resistance	DC 500 V 60 Sec后. 100MΩ or more
抗电强度 Dielectric Voltage	AC 500 V(50~60HZ) 60 Sec.

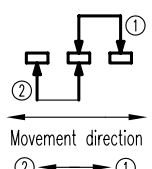
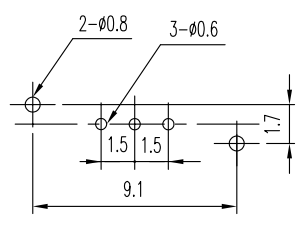


示意图 SCHEMATIC



安装孔 PIERCING PLAN

操作力 Operating Force	① ←→ ② 1.5±1N(150±100gf)
机械寿命 Operating Life Without Load	10000 次 10000 Cycles

6	端子	TERMINAL	C2680R	3	NATURAL	Ag PLATED				
5	基板	TERMINAL BASE	PHENOL RESIN	1	YELLOW	UL 94HB				
4	接触片	CONTACT	C5210R	1	NATURAL	Ag CLAD				
3	弹片	SPRING PLATE	S U S	1	NATURAL	—				
2	胶柄	KNOB	PBT	1	BLACK	UL 94V-0				
1	铁壳	FRAME	S P C C	1	SILVERY WHITE	Sn PLATED				
序NO.	零件	PART	材质	MATERIAL	数量	QTY	颜色	COLOR	备注	REMARKS

标号 REV	DESCRIPTION	签名 SIGN.	日期 DATE
DWG NO. ITEM2686			

TOLERANCES UNLESS OTHERWISE SPEC.		TITLE	SIDE KNOB SLIDE SWITCH		ITEM NO	SK-12C06-MG 4.4 NS	
L ≤ 4	± 0.20	DRAWN	张学春	06-06-14	VERSION	A01	PAGE 1 OF 1
4 < L ≤ 16	± 0.30	REVIEWED	张念明	06-06-14	SCALE		UNIT mm
16 < L ≤ 63	± 0.40	APPROVED	高洪	06-06-14	PROJECTION		
63 < L ≤ 250	± 0.50						
250 < L	± 0.70						

COMAX ELECTRONICS (HUIZHOU) CO.,LTD.

Looking for pricing, stock, or lifecycle information?

Click below to explore more details on WIN SOURCE:

- ⊖ [View SK-12C06-MG 4.4 NS on WIN SOURCE](#)
- ⊖ [C&K Components Information](#)

Optimize Your Supply Chain with WIN SOURCE Solutions

- ✓ Global Sourcing Solution
- ✓ Obsolete Management
- ✓ Cost Control Management
- ✓ Shortage Management
- ✓ Alternative Solution
- ✓ Excess Inventory Management