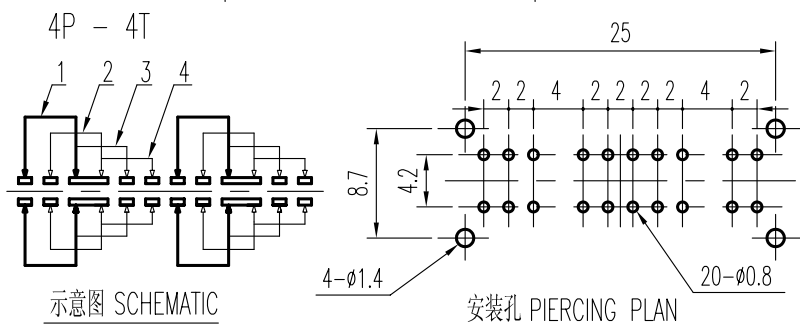
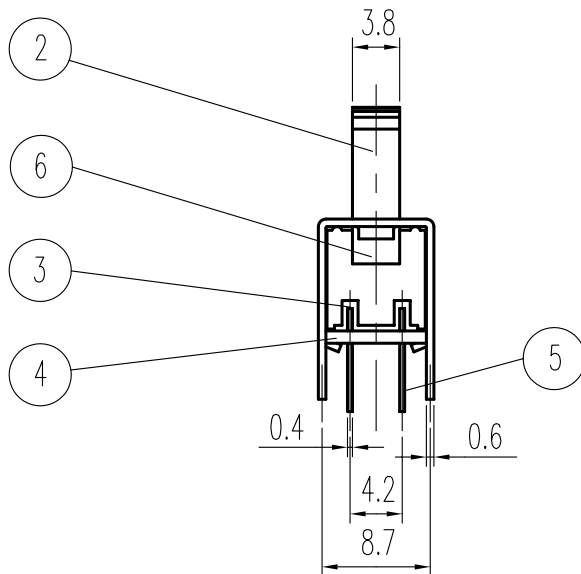
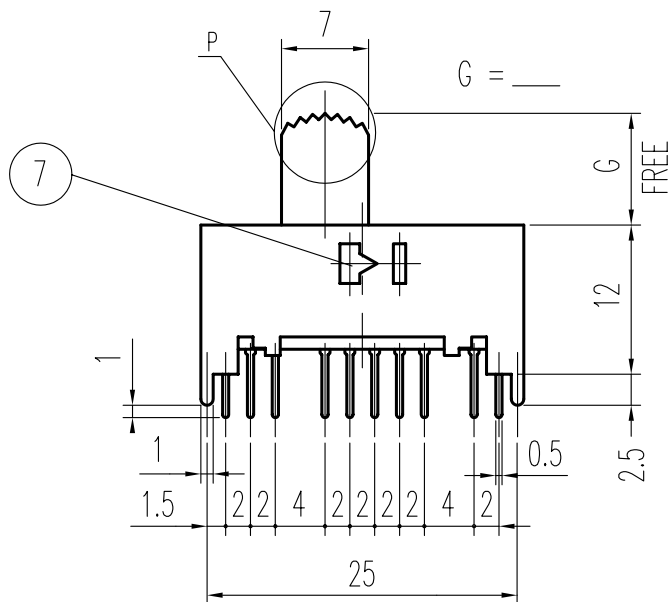
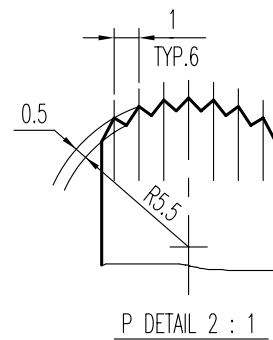
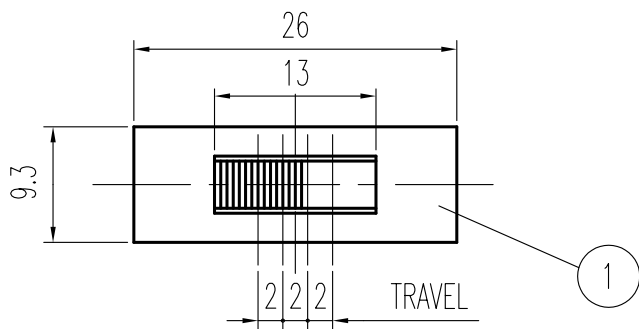




**THE DATASHEET OF
SS-44D04-G 4**





① 规格 Specifications

额定负荷 Ratings	DC 30_V 0.3_A
初期接触电阻 Initial Contact Resistance	30_mΩ Max.
绝缘电阻 Insulation Resistance	DC500_V 60_Sec. 100_MΩ Min.
抗电强度 Dielectric Voltage	AC 500_V (50~60HZ) 60_Sec.

操作力 Operating Force (gf)	A—B B—C C—D	王光云	06-06-14
	D—C C—B B—A		
负荷寿命 Operating Life With Load	200±100 300±150 400±150	赖立辉	11 JUL 98

序号 NO.	零件 PART	材料 MATERIAL	数量 QTY	备注 REMARKS
7	钢珠 STEEL BALL	STEEL	2	NATURAL
6	弹簧 SPRING	STEEL	1	NATURAL
5	端子 TERMINAL	C2680R ①	20	Ag PLATED
4	基板 TERMINAL BASE	PHENOL RESIN	1	YELLOW
3	接触片 CONTACT	C5210R ①	4	Ag CLAD
2	胶柄 KNOB	P O M	1	G 4 - 15
1	铁壳 FRAME	S P C C	1	Ni PLATED



A01	ADD: 规格 Specifications 见 ①	王光云	06-06-14
	C2680R-EH → C2680R 见 ①		
	C5210R-EH/Ag CLAD → C5210R 见 ①		
01		赖立辉	11 JUL 98
标号 REV	内容 DESCRIPTION	签名 SIGN.	日期 DATE

TOLERANCES UNLESS OTHERWISE SPEC.		TITLE	SLIDE SWITCH		ITEM NO	SS-44D04-G	
UNDER 1	± 0.10	DRAWN	王光云	06-06-14	VERSION	A01	PAGE 1 OF 1
1 - 10	± 0.30	REVIEWED	张念明	06-06-14	SCALE		UNIT mm
OVER 10	± 0.50	APPROVED	高洪	06-06-15	PROJECTION		

COMAX ELECTRONICS (HUIZHOU) CO.,LTD.

Looking for pricing, stock, or lifecycle information?

Click below to explore more details on WIN SOURCE:

-  [View SS-44D04-G 4 on WIN SOURCE](#)
-  [C&K Components Information](#)

Optimize Your Supply Chain with WIN SOURCE Solutions

-  Global Sourcing Solution
-  Obsolete Management
-  Cost Control Management
-  Shortage Management
-  Alternative Solution
-  Excess Inventory Management