



**THE DATASHEET OF
SS-24E06-TG 5 (P)**



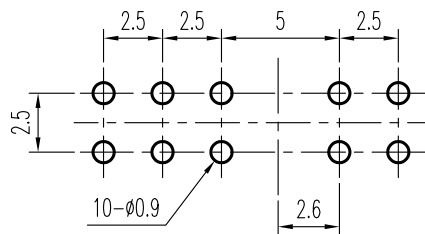
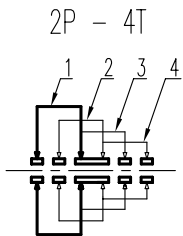
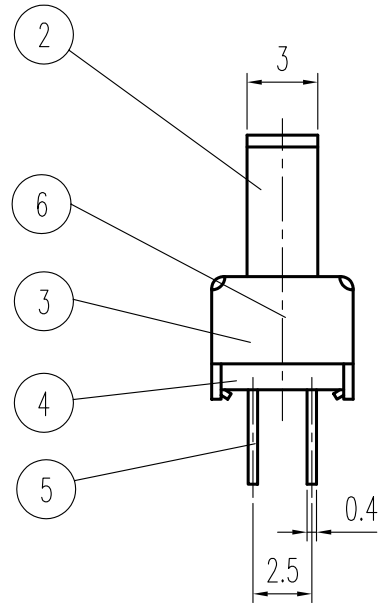
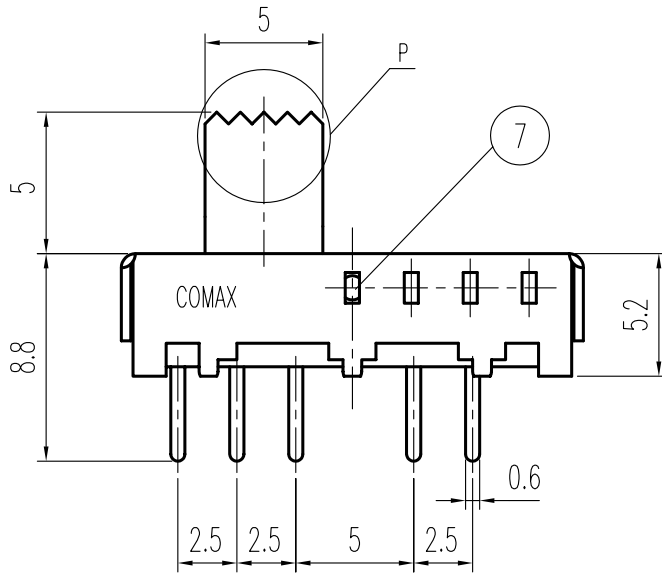
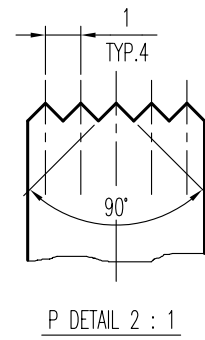
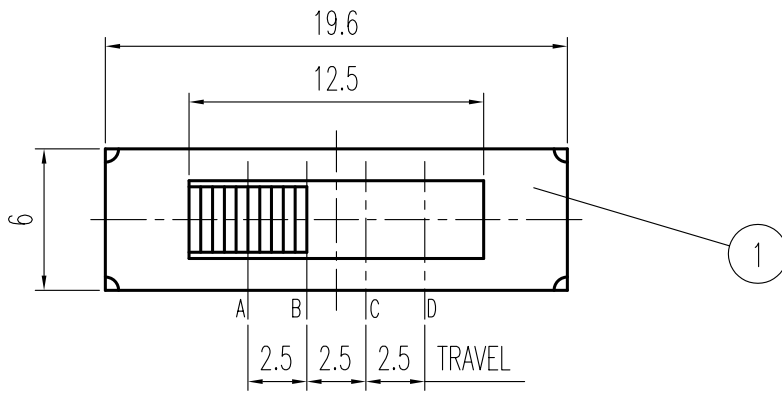


示意图 SCHEMATIC

安装孔 PIERCING PLAN

规格 Specifications

额定负荷 Ratings	DC 30 V 0.3 A
初期接触电阻 Initial Contact Resistance	30 mΩ Max.
绝缘电阻 Insulation Resistance	DC 500 V 60 Sec. 100 MΩ Min.
抗电强度 Dielectric Voltage	AC 500 V (50~60HZ) 60 Sec.

操作力 Operating Force (gf)	A → B	B → C	C → D
	D → C	C → B	B → A
机械寿命 Operating Life Without Load	200±100	200±100	200±100

序NO.	零件 PART	材料 MATERIAL	数量 QTY	备注 REMARKS
7	钢珠 STEEL BALL	SUS	2	NATURAL
6	弹簧 SPRING	SUS	1	NATURAL
5	端子 TERMINAL	C2680R	10	Ag PLATED
4	基板 TERMINAL BASE	PHENOL RESIN	1	YELLOW
3	接触片 CONTACT	C5210R	2	Ag CLAD
2	胶柄 KNOB	P O M	1	BLACK C
1	铁壳 FRAME	S P C C	1	Ni PLATED



标号 REV	内容 DESCRIPTION	签名 SIGN.	日期 DATE
DWG NO. ITEM2723			

TOLERANCES UNLESS OTHERWISE SPEC.		TITLE	SLIDE SWITCH		ITEM NO	SS-24E06-TG 5 (P)	
UNDER 1	± 0.10	DRAWN	刘红梅	06-07-20	VERSION	A01	PAGE 1 OF 1
1 - 10	± 0.30	REVIEWED	张念明	06-07-20	SCALE		UNIT mm
OVER 10	± 0.50	APPROVED	林高全	06-07-21	PROJECTION		

COMAX ELECTRONICS (HUIZHOU) CO.,LTD.

Looking for pricing, stock, or lifecycle information?

Click below to explore more details on WIN SOURCE:

-  [View SS-24E06-TG 5 \(P\) on WIN SOURCE](#)
-  [C&K Components Information](#)

Optimize Your Supply Chain with WIN SOURCE Solutions

-  Global Sourcing Solution
-  Obsolete Management
-  Cost Control Management
-  Shortage Management
-  Alternative Solution
-  Excess Inventory Management