



**THE DATASHEET OF  
SS-22D0205-G 2**



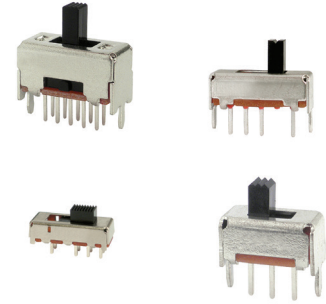
# SS Series Miniature Slide Switches

## Features/Benefits

- Broad range of products
- Various circuit design, SPDT, 4P3T, vertical, right angle
- Compact miniature slide switch
- Shorting or non-shorting
- Custom design available

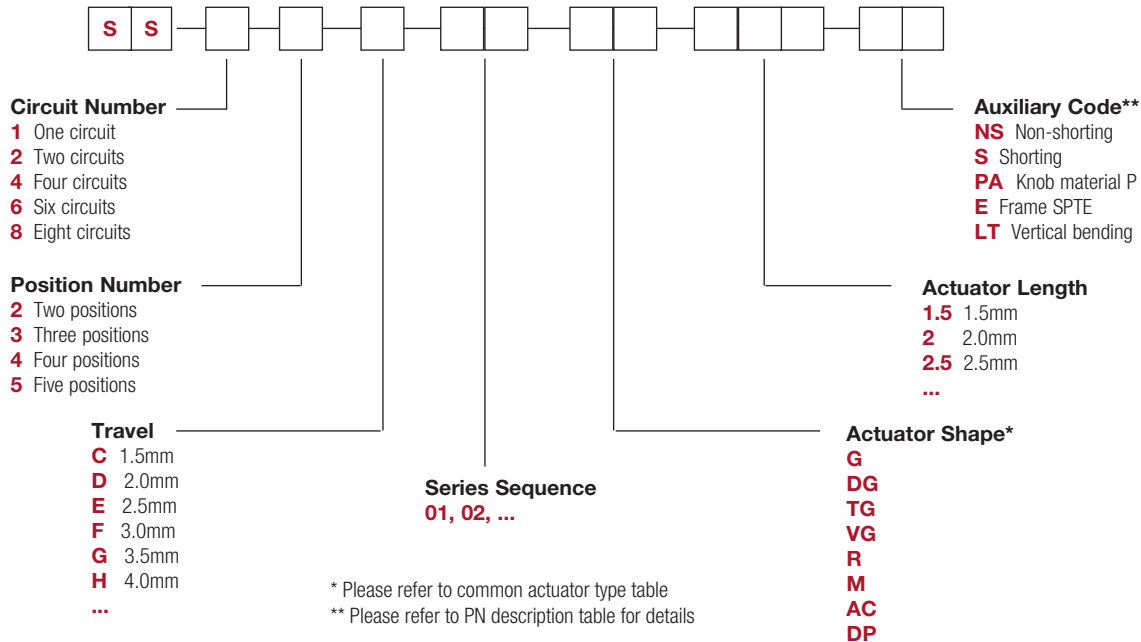
## Typical Applications

- Consumer electronics
- Computer peripherals
- Telecommunication
- Audio & visual equipment
- Medical
- Automotive



## How To Order

Our easy build-a-switch concept allows you to mix and match options to create the switch you need. To order, select desired option from each category and place it in the appropriate box.



Part number list is shown below. For individual part details, please refer to the following pages.

Part Number (Part Description)	Product Details
SS-12D1305-G 2	1P2T, 2mm travel, Frame H=3.5mm, Cover SUS, Tail L= 3.0mm, Knob type G with L=2mm, PA, Non shorting
SS-12D1505-G	1P2T, 2mm travel, Frame H=3.5mm, Cover SUS, Tail L= 1.2mm, Knob type G, PA, Non shorting
SS-22D0205-G	2P2T, 2mm travel, Frame H=3.5mm, Cover SUS, Tail L= 3.0mm, Knob type G, PA, Non shorting
SS-22D0205-G 2 -LT	2P2T, 2mm travel, Frame H=3.5mm, Cover SUS, Vertical bending, Knob type G with L=2mm, PA, Non shorting
SS-23D31-G 1.5 NS	2P3T, 2mm travel, Frame H=3.5mm, Cover SUS, Tail L= 1.5mm, Knob type G with L=1.5mm, PA
SS-12D01-G E NS	1P2T, 2mm travel, Frame H=3.5mm, Tail L= 2.5mm, Knob type G, Frame SPTE, POM, Non shorting
SS-12D06-G E NS	1P2T, 2mm travel, Frame H=3.5mm, Tail L= 2.5mm, Knob type G, Frame SPTE, POM, Non shorting
SS-12D11-G E NS	1P2T, 2mm travel, Frame H=4.7mm, Tail L= 2mm, Knob type G, Frame SPTE, POM, Non shorting
SS-13D01-G	1P3T, 2mm travel, Frame H=3.5mm, Tail L= 2.5mm, Knob type G, POM
SS-22D28-G NS	2P2T, 2mm travel, Frame H=8.5mm, Tail L= 3.3mm, Knob type G, POM, Non shorting
SS-23D28-G NS	2P3T, 2mm travel, Frame H=8.5mm, Tail L= 3.3mm, Knob type G, POM, Non shorting
SS-24D28-G NS	2P4T, 2mm travel, Frame H=8.5mm, Tail L= 3.3mm, Knob type G, POM, Non shorting

# SS Series Miniature Slide Switches

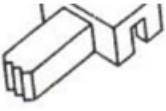
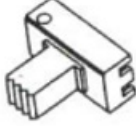
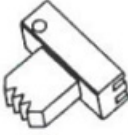
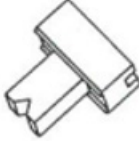

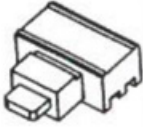


Part Number (Part Description)	Product Details
SS-42D28-G NS	4P2T, 2mm travel, Frame H=8.5mm, Tail L= 3.3mm, Knob type G, POM, Non shorting
SS-43D28-G NS	4P3T, 2mm travel, Frame H=8.5mm, Tail L= 3.3mm, Knob type G, POM, Non shorting
SS-23D33-HG NS	2P3T, 2mm travel, Frame H=7mm, Tail L= 3.5mm, Knob type HG, POM, Non shorting
SS-12F28-G NS	1P2T, 3mm travel, Frame H=8.5mm, Tail L= 3mm, Knob type G, POM, Non shorting
SS-22F28-G S	2P2T, 3mm travel, Frame H=8.5mm, Tail L= 3mm, Knob type G, POM, Shorting
SS-23F28-G 6 NS	2P3T, 3mm travel, Frame H=8.5mm, Tail L= 3mm, Knob type G with L=6mm, POM, Non shorting
SS-24F28-G	2P4T, 3mm travel, Frame H=8.5mm, Tail L= 3mm, Knob type G, POM, Non shorting
SS-42F28-G NS	4P2T, 3mm travel, Frame H=8.5mm, Tail L= 3mm, Knob type G, POM, Non shorting
SS-43F28-G NS	4P3T, 3mm travel, Frame H=8.5mm, Tail L= 3mm, Knob type G, POM, Non shorting
SS-44F28-G NS	4P4T, 3mm travel, Frame H=8.5mm, Tail L= 3mm, Knob type G, POM, Non shorting
SS-12D07-VG NS	1P2T, 2mm travel, Frame H=4.7mm, Tail L= 3.3mm, Knob type VG, POM, Non shorting
SS-12H26-VG	1P2T, 4mm travel, Frame H=4.7mm, Tail L= 3.3mm, Knob type VG, POM, Non shorting
SS-13D08-VG	1P3T, 2mm travel, Frame H=7mm, Tail L= 4mm, Knob type VG, POM
SS-13D16-VG	1P3T, 2mm travel, Frame H=4.7mm, Tail L= 3.3mm, Knob type VG, POM
SS-14D01-VG	1P4T, 2mm travel, Frame H=4.7mm, Tail L= 3.3mm, Knob type VG, POM
SS-14D07-VG	1P4T, 2mm travel, Frame H=4.7mm, Tail L= 3.3mm, Knob type VG, POM
SS-22D07-VG S	2P2T, 2mm travel, Frame H=4.7mm, Tail L= 3.3mm, Knob type VG, POM, Shorting
SS-22H08-G	2P2T, 4mm travel, Frame H=4.7mm, Tail L= 3.4mm, Knob type G, POM, Non shorting
SS-22H16-G	2P2T, 4mm travel, Frame H=4.7mm, Tail L= 3.4mm, Knob type G, POM, Non shorting
SS-23D07-G PA	2P3T, 2mm travel, Frame H=4.7mm, Tail L= 3.3mm, Knob type G, PA, Non shorting
SS-23D08-G	2P3T, 2mm travel, Frame H=7mm, Tail L= 4mm, Knob type G, POM
SS-24D02-VG	2P4T, 2mm travel, Frame H=4.7mm, Tail L= 3.3mm, Knob type VG, POM
SS-24D04-VG PA	2P4T, 2mm travel, Frame H=4.7mm, Tail L= 2.8mm, Knob type VG, PA
SS-24D07-VG PA	2P4T, 2mm travel, Frame H=4.7mm, Tail L= 3.3mm, Knob type VG, PA
SS-42D07-VG NS	4P2T, 2mm travel, Frame H=4.7mm, Tail L= 3.3mm, Knob type VG, POM, Non shorting
SS-13E08-DG	1P3T, 2.5mm travel, Frame H=5.5mm, Tail L= 3.5mm, Knob type DG, POM
SS-13E29-TG	1P3T, 2.5mm travel, Frame H=5.5mm, Tail L= 2.5mm, Knob type TG, POM
SS-22J08-G	2P2T, 5mm travel, Frame H=5.2mm, Tail L= 2.7mm, Knob type G, POM, Non shorting
SS-23E06-G	2P3T, 2.5mm travel, Frame H=5.2mm, Tail L= 2.7mm, Knob type G, POM
SS-23E08-TG	2P3T, 2.5mm travel, Frame H=5.5mm, Tail L= 3.5mm, Knob type TG, POM
SS-24E06-TG	2P4T, 2.5mm travel, Frame H=5.2mm, Tail L= 3.6mm, Knob type TG, POM, Shorting
SS-24E08-CG	2P4T, 2.5mm travel, Frame H=5.2mm, Tail L= 3.6mm, Knob type CG, POM
SS-24E09-TG	2P4T, 2.5mm travel, Frame H=5.2mm, Tail L= 3.6mm, Knob type TG, POM
SS-24E10-TG	2P4T, 2.5mm travel, Frame H=5.2mm, Tail L= 3.6mm, Knob type TG, POM
SS-24E19-TG	2P4T, 2.5mm travel, Frame H=5.2mm, Tail L= 3.6mm, Knob type TG, POM
SS-22H18-G	2P2T, 2.5mm travel, Frame H=12mm, Tail L= 3.5mm, Knob type G, POM, Non shorting
SS-23D10-G	2P3T, 2mm travel, Frame H=12mm, Tail L= 3.5mm, Knob type G, POM
SS-24D01-M	2P4T, 2mm travel, Frame H=12mm, Tail L= 3.5mm, Knob type M, POM
SS-43D01-G	4P3T, 2mm travel, Frame H=12mm, Tail L= 3.5mm, Knob type G, POM
SS-14D0839-VG 5 PA	1P4T, 2mm travel, Frame H=4.7mm, Tail L= 2.5mm, Knob type VG with L=5mm, PA



Slide

# SS Series Miniature Slide Switches

## Common Actuator Type

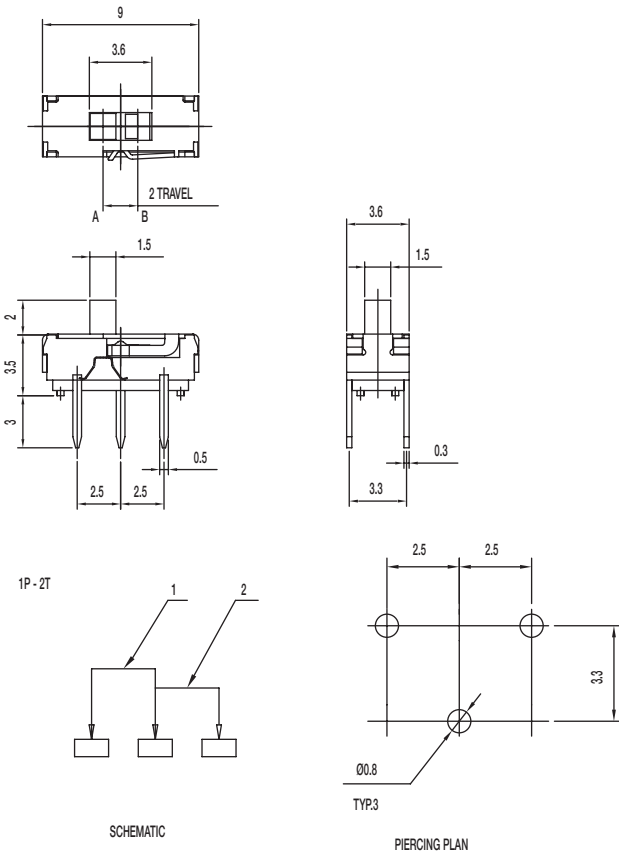
 G	 DG	 TG	 VG
 R	 M	 AC	 DP



Slide

# SS Series Miniature Slide Switches

**SS-12D1305-G 2** 1P2T NON-SHORTING



## Specifications

CONTACT RATING: 0.3A @ 6 VDC  
 INITIAL CONTACT RESISTANCE: 70 m ohms max.  
 INSULATION RESISTANCE: 100 M ohms min.  
 DIELECTRIC STRENGTH: 500 V AC (50-60 Hz) between open terminals and between the frame and terminal.  
 OPERATING LIFE: 10,000 cycles with load  
 OPERATING FORCE: 200 ± 100 gf (1.96 ± 0.98N)  
 TRAVEL: 2 ± 0.3 mm  
 OPERATING TEMPERATURE: -20°C to 70°C

## Materials

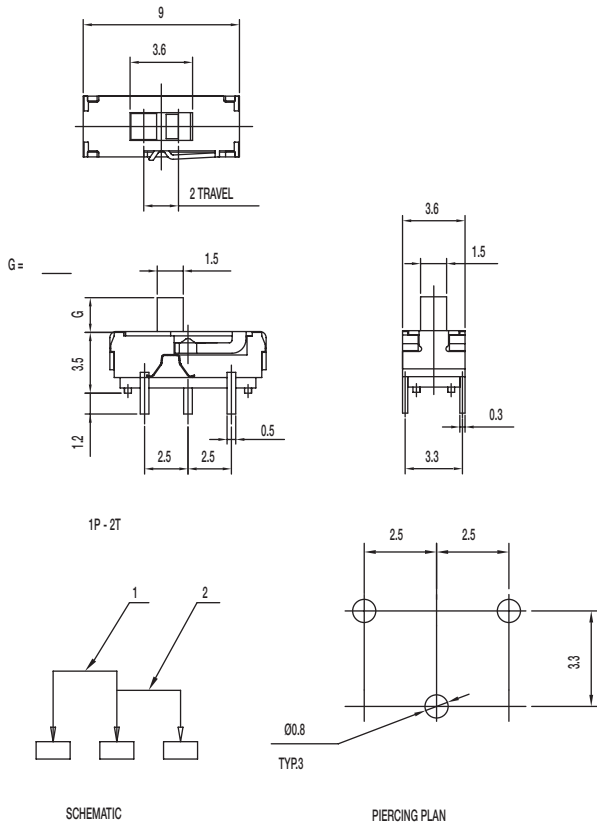
KNOB: PA  
 COVER: SUS  
 HOUSING: PA  
 CONTACT: Silver clad  
 TERMINAL: Silver plated



Slide

# SS Series Miniature Slide Switches

## SS-12D1505-G 1P2T NON-SHORTING



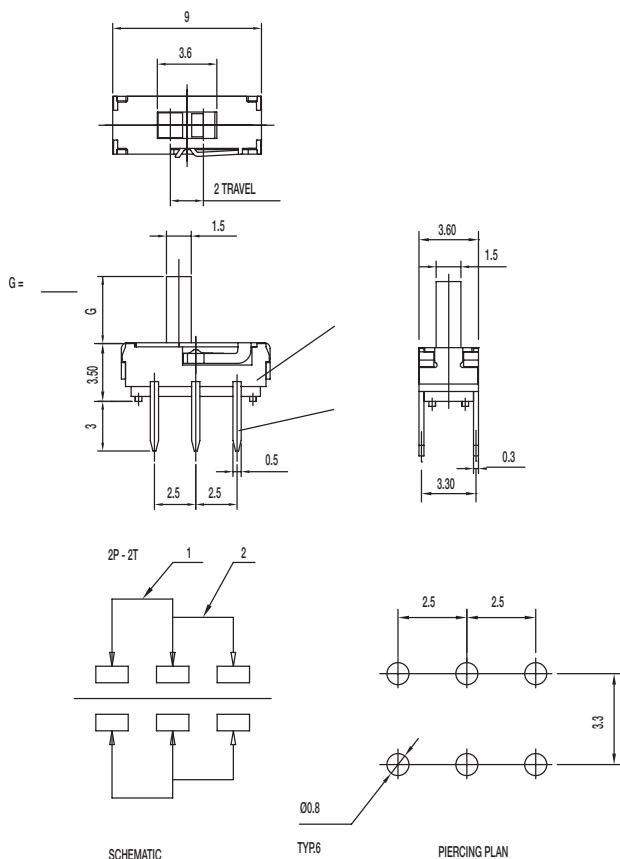
### Specifications

CONTACT RATING: 0.3A @ 6 VDC  
 INITIAL CONTACT RESISTANCE: 70 m ohms max.  
 INSULATION RESISTANCE: 100 M ohms min.  
 DIELECTRIC STRENGTH: 500 V AC (50-60 Hz) between open terminals and between the frame and terminal.  
 OPERATING LIFE: 10,000 cycles with load  
 OPERATING FORCE: 200 ± 100 gf (1.96 ± 0.98N)  
 TRAVEL: 2 ± 0.3 mm  
 OPERATING TEMPERATURE: -20°C to 80°C

### Materials

KNOB: PA  
 COVER: SUS  
 HOUSING: PA  
 CONTACT: Silver clad  
 TERMINAL: Silver plated

## SS-22D0205-G DPDT NON-SHORTING



### Specifications

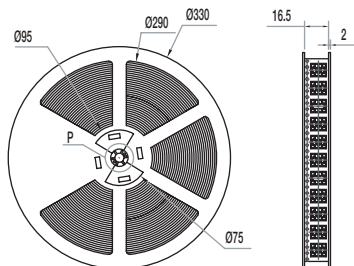
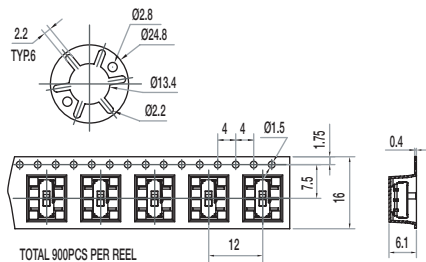
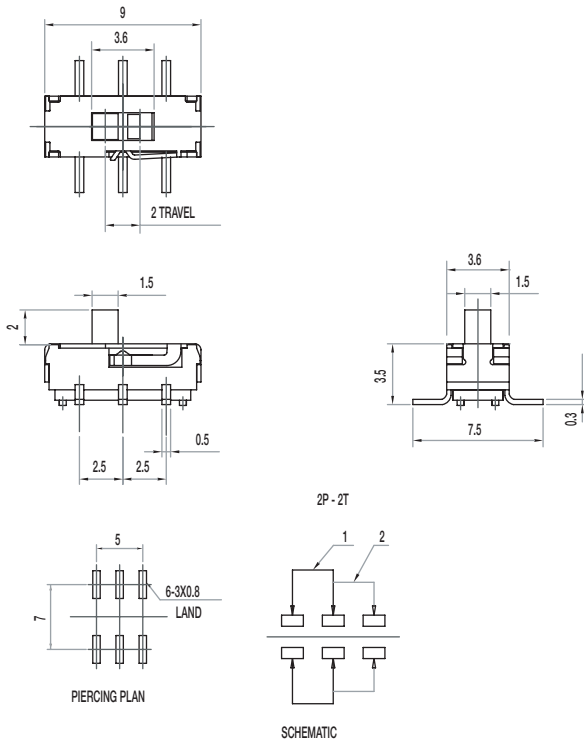
CONTACT RATING: 0.3A @ 6 VDC  
 INITIAL CONTACT RESISTANCE: 70 m ohms max.  
 INSULATION RESISTANCE: 100 M ohms min.  
 DIELECTRIC STRENGTH: 500 V AC (50-60 Hz) between open terminals and between the frame and terminal.  
 OPERATING LIFE: 10,000 cycles with load  
 OPERATING FORCE: 200 ± 100 gf (1.96 ± 0.98N)  
 TRAVEL: 2 ± 0.3 mm  
 OPERATING TEMPERATURE: -20°C to 80°C

### Materials

KNOB: PA  
 COVER: SUS  
 HOUSING: PA  
 CONTACT: Silver clad  
 TERMINAL: Silver plated

# SS Series Miniature Slide Switches

**SS-22D0205-G 2 -LT** DPDT NON-SHORTING



## Specifications

CONTACT RATING: 0.3A @ 6 VDC

INITIAL CONTACT RESISTANCE: 70 m ohms max.

INSULATION RESISTANCE: 100 M ohms min.

DIELECTRIC STRENGTH: 500 V AC (50-60 Hz) between open terminals and between the frame and terminal.

OPERATING LIFE: 10,000 cycles with load

OPERATING FORCE: 200 ± 100 gf (1.96 ± 0.98N)

TRAVEL: 2 ± 0.3 mm

OPERATING TEMPERATURE: -20°C to 70°C

## Materials

KNOB: PA

COVER: SUS

HOUSING: PA

CONTACT: Silver clad

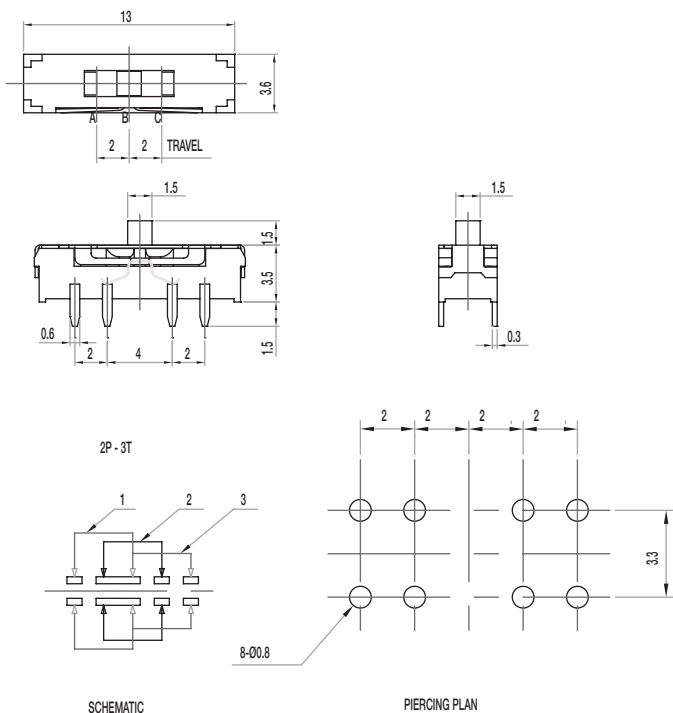
TERMINAL: Silver plated



Slide

# SS Series Miniature Slide Switches

## SS-23D31-G 1.5 NS 2P3T NON-SHORTING



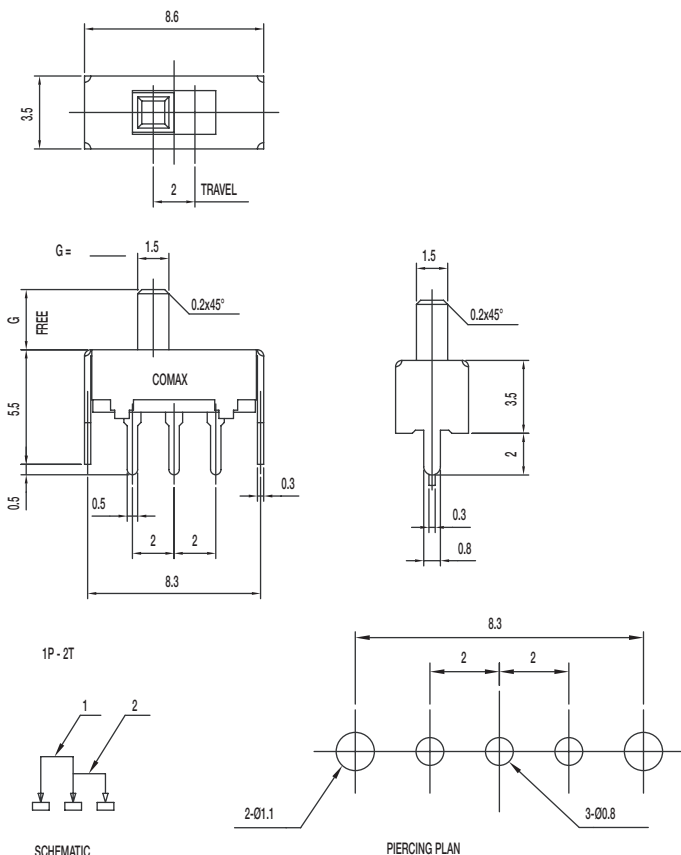
### Specifications

CONTACT RATING: 0.3A @ 6 VDC  
 INITIAL CONTACT RESISTANCE: 70 m ohms max.  
 INSULATION RESISTANCE: 100 M ohms min.  
 DIELECTRIC STRENGTH: 500 V AC (50-60 Hz) between open terminals and between the frame and terminal.  
 OPERATING LIFE: 10,000 cycles with load  
 OPERATING FORCE: 200 ± 100 gf (1.96 ± 0.98N)  
 250 ± 100 gf (2.47 ± 0.98N)  
 TRAVEL: 2 ± 0.3 mm  
 OPERATING TEMPERATURE: -20°C to 70°C

### Materials

KNOB: PA  
 COVER: SUS  
 HOUSING: PA  
 CONTACT: Silver clad  
 TERMINAL: Silver plated

## SS-12D01-G E NS 1P2T NON-SHORTING



### Specifications

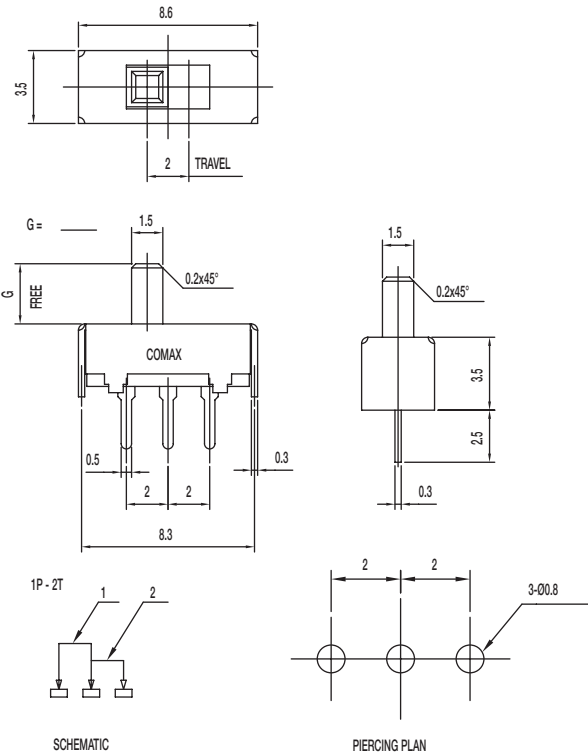
CONTACT RATING: 0.3A @ 30 VDC  
 INITIAL CONTACT RESISTANCE: 30 m ohms max.  
 INSULATION RESISTANCE: 100 M ohms min.  
 DIELECTRIC STRENGTH: 500 V AC (50-60 Hz) between open terminals and between the frame and terminal.  
 OPERATING LIFE: 10,000 cycles with load  
 OPERATING FORCE: 200 ± 100 gf (1.96 ± 0.98N)  
 TRAVEL: 2 ± 0.3 mm  
 OPERATING TEMPERATURE: -20°C to 70°C

### Materials

KNOB: POM  
 COVER: SUS  
 FRAME: SPTE  
 CONTACT: Silver clad  
 TERMINAL: Silver plated

# SS Series Miniature Slide Switches

**SS-12D06-G E NS** 1P2T NON-SHORTING



## Specifications

CONTACT RATING: 0.3A @ 30 VDC

INITIAL CONTACT RESISTANCE: 30 m ohms max.

INSULATION RESISTANCE: 100 M ohms min.

DIELECTRIC STRENGTH: 500 V AC (50-60 Hz) between open terminals and between the frame and terminal.

OPERATING LIFE: 10,000 cycles with load

OPERATING FORCE: 200 ± 100 gf (1.96 ± 0.98N)

TRAVEL: 2 ± 0.3 mm

OPERATING TEMPERATURE: -20°C to 70°C

## Materials

KNOB: POM

FRAME: SPTe

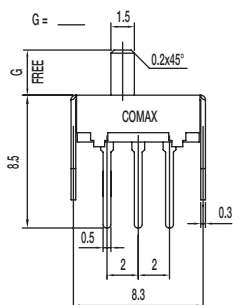
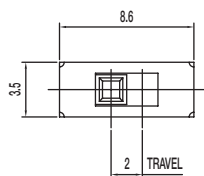
CONTACT: Silver clad

TERMINAL: Silver plated

Slide

# SS Series Miniature Slide Switches

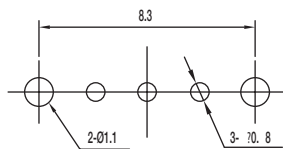
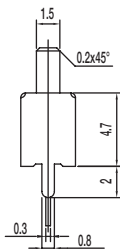
**SS-12D11-G E NS** 1P2T NON-SHORTING



1P - 2T



SCHEMATIC



PIERCING PLAN

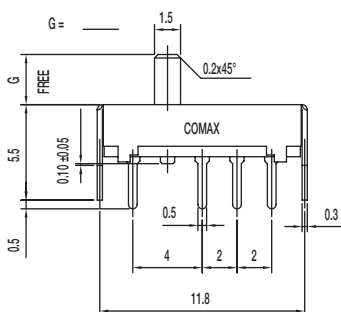
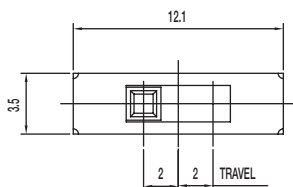
## Specifications

CONTACT RATING: 0.3A @ 30 VDC  
 INITIAL CONTACT RESISTANCE: 30 m ohms max.  
 INSULATION RESISTANCE: 100 M ohms min.  
 DIELECTRIC STRENGTH: 500 V AC (50-60 Hz) between open terminals and between the frame and terminal.  
 OPERATING LIFE: 10,000 cycles with load  
 OPERATING FORCE: 200 ± 100 gf (1.96 ± 0.98N)  
 TRAVEL: 2 ± 0.3 mm  
 OPERATING TEMPERATURE: -20°C to 70°C

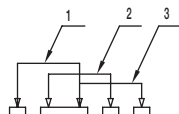
## Materials

KNOB: POM  
 FRAME: SPTE  
 CONTACT: Silver clad  
 TERMINAL: Silver plated

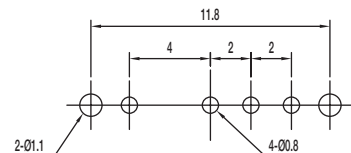
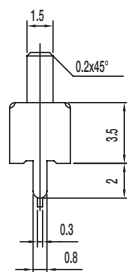
**SS-13D01-G** 1P3T



1P - 3T



SCHEMATIC



PIERCING PLAN

## Specifications

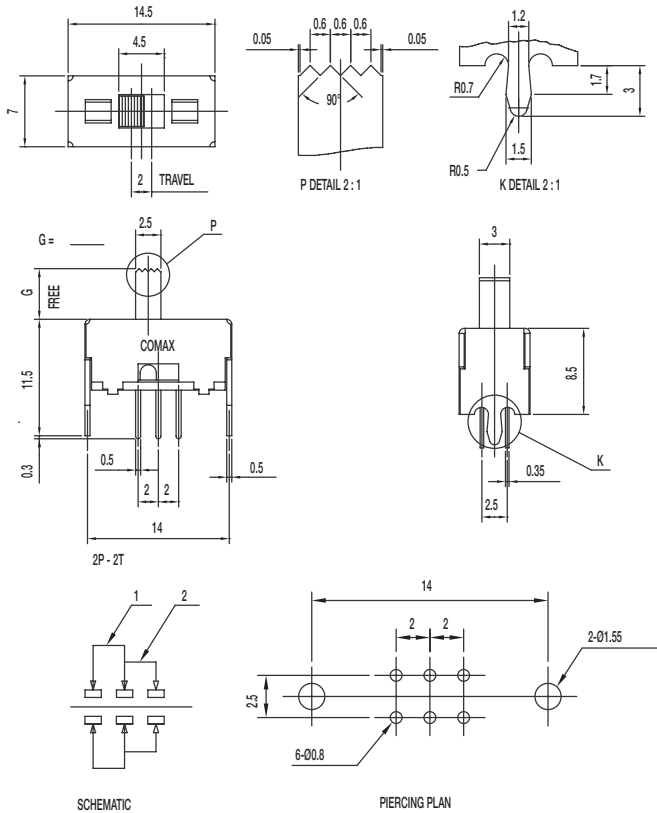
CONTACT RATING: 0.3A @ 30 VDC  
 INITIAL CONTACT RESISTANCE: 30 m ohms max.  
 INSULATION RESISTANCE: 100 M ohms min.  
 DIELECTRIC STRENGTH: 500 V AC (50-60 Hz) between open terminals and between the frame and terminal.  
 OPERATING LIFE: 10,000 cycles with load  
 OPERATING FORCE: 200 ± 100 gf (1.96 ± 0.98N)  
 250 ± 100 gf (2.47 ± 0.98N)  
 TRAVEL: 2 ± 0.3 mm  
 OPERATING TEMPERATURE: -20°C to 70°C

## Materials

KNOB: POM  
 FRAME: SPTE  
 CONTACT: Silver clad  
 TERMINAL: Silver plated

# SS Series Miniature Slide Switches

**SS-22D28-G NS** 2P2T NON-SHORTING



## Specifications

CONTACT RATING: 0.3A @ 30 VDC

INITIAL CONTACT RESISTANCE: 30 m ohms max.

INSULATION RESISTANCE: 100 M ohms min.

DIELECTRIC STRENGTH: 500 V AC (50-60 Hz) between open terminals and between the frame and terminal.

OPERATING LIFE: 10,000 cycles with load

OPERATING FORCE: 200 ± 100 gf (1.96 ± 0.98N)

TRAVEL: 2 ± 0.3 mm

OPERATING TEMPERATURE: -20°C to 70°C

## Materials

KNOB: POM

FRAME: SPCC

CONTACT: Silver clad

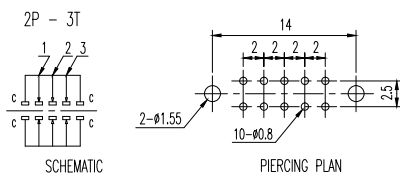
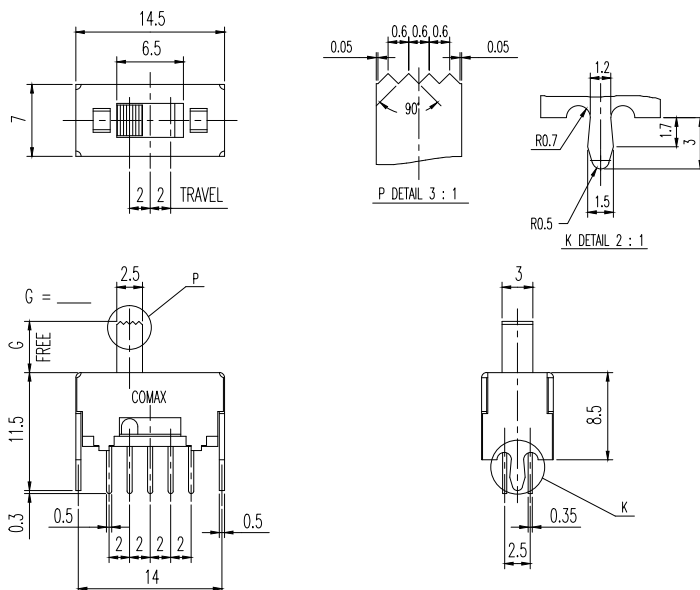
TERMINAL: Silver plated



Slide

# SS Series Miniature Slide Switches

## SS-23D28-G NS 2P3T NON-SHORTING



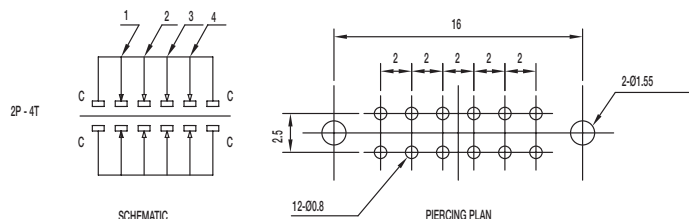
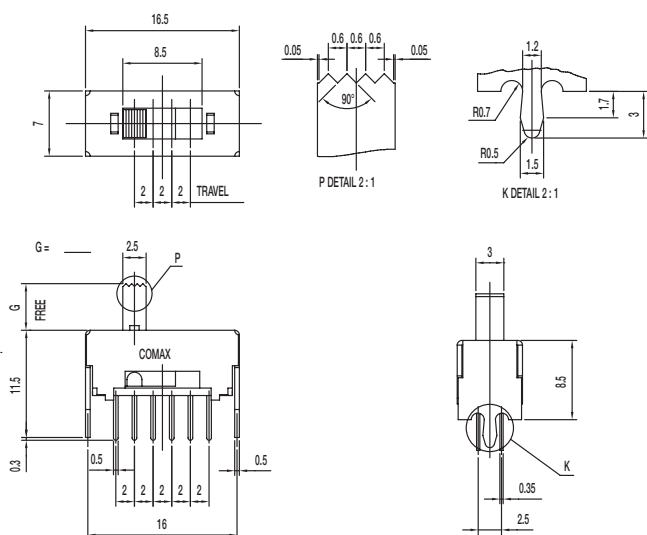
### Specifications

CONTACT RATING: 0.3A @ 30 VDC  
 INITIAL CONTACT RESISTANCE: 30 m ohms max.  
 INSULATION RESISTANCE: 100 M ohms min.  
 DIELECTRIC STRENGTH: 500 V AC (50-60 Hz) between open terminals and between the frame and terminal.  
 OPERATING LIFE: 10,000 cycles with load  
 OPERATING FORCE: 200 ± 100 gf (1.96 ± 0.98N)  
 300 ± 150 gf (2.94 ± 1.47N)  
 TRAVEL: 2 ± 0.3 mm  
 OPERATING TEMPERATURE: -20°C to 70°C

### Materials

KNOB: POM  
 FRAME: SPCC  
 CONTACT: Silver clad  
 TERMINAL: Silver plated

## SS-24D28-G NS 2P4T NON-SHORTING



### Specifications

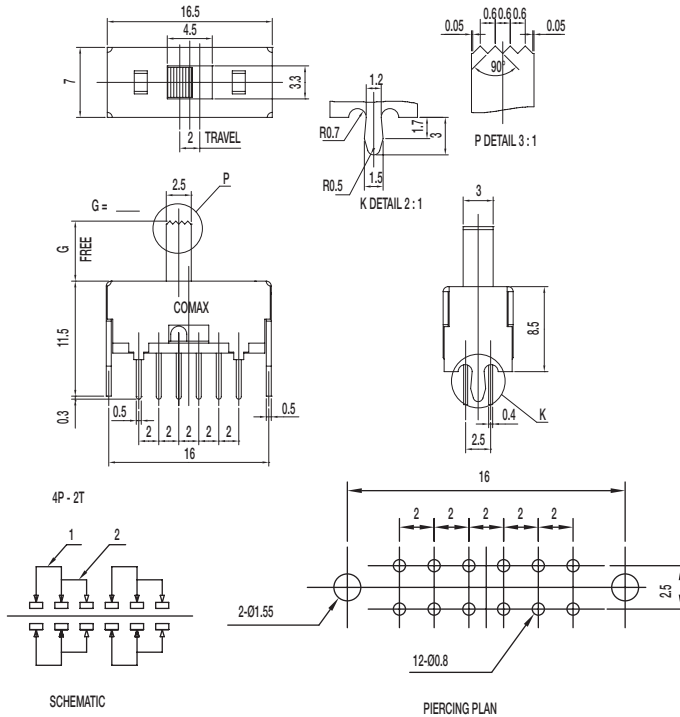
CONTACT RATING: 0.3A @ 30 VDC  
 INITIAL CONTACT RESISTANCE: 30 m ohms max.  
 INSULATION RESISTANCE: 100 M ohms min.  
 DIELECTRIC STRENGTH: 500 V AC (50-60 Hz) between open terminals and between the frame and terminal.  
 OPERATING LIFE: 10,000 cycles with load  
 OPERATING FORCE: 200 ± 100 gf (1.96 ± 0.98N)  
 250 ± 100 gf (2.45 ± 0.98N); 300 ± 100 gf (2.94 ± 0.98N)  
 TRAVEL: 2 ± 0.3 mm  
 OPERATING TEMPERATURE: -20°C to 70°C

### Materials

KNOB: POM  
 FRAME: SPCC  
 CONTACT: Silver clad  
 TERMINAL: Silver plated

# SS Series Miniature Slide Switches

## SS-42D28-G NS 4P2T NON-SHORTING



### Specifications

- CONTACT RATING: 0.3A @ 30 VDC
- INITIAL CONTACT RESISTANCE: 30 m ohms max.
- INSULATION RESISTANCE: 100 M ohms min.
- DIELECTRIC STRENGTH: 500 V AC (50-60 Hz) between open terminals and between the frame and terminal.
- OPERATING LIFE: 10,000 cycles with load
- OPERATING FORCE: 200 ± 100 gf (1.96 ± 0.98N)
- TRAVEL: 2 ± 0.3 mm
- OPERATING TEMPERATURE: -20°C to 70°C

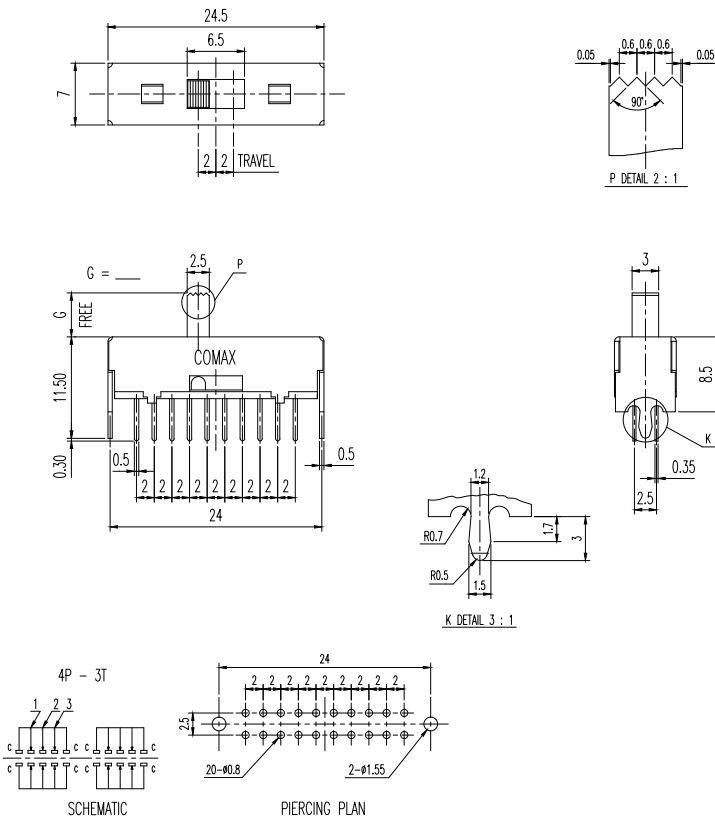
### Materials

- KNOB: POM
- FRAME: SPCC
- CONTACT: Silver clad
- TERMINAL: Silver plated



Slide

## SS-43D28-G NS 4P3T NON-SHORTING



### Specifications

- CONTACT RATING: 0.3A @ 30 VDC
- INITIAL CONTACT RESISTANCE: 30 m ohms max.
- INSULATION RESISTANCE: 100 M ohms min.
- DIELECTRIC STRENGTH: 500 V AC (50-60 Hz) between open terminals and between the frame and terminal.
- OPERATING LIFE: 10,000 cycles with load
- OPERATING FORCE: 200 ± 100 gf (1.96 ± 0.98N)  
300 ± 150 gf (2.94 ± 1.47N)
- TRAVEL: 2 ± 0.3 mm
- OPERATING TEMPERATURE: -20°C to 70°C

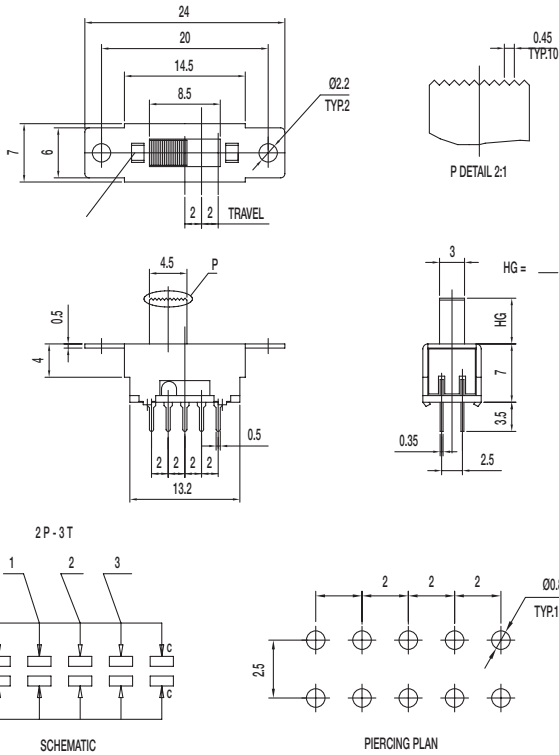
### Materials

- KNOB: POM
- FRAME: SPCC
- CONTACT: Silver clad
- TERMINAL: Silver plated



# SS Series Miniature Slide Switches

## SS-23D33-HG NS 2P3T NON-SHORTING



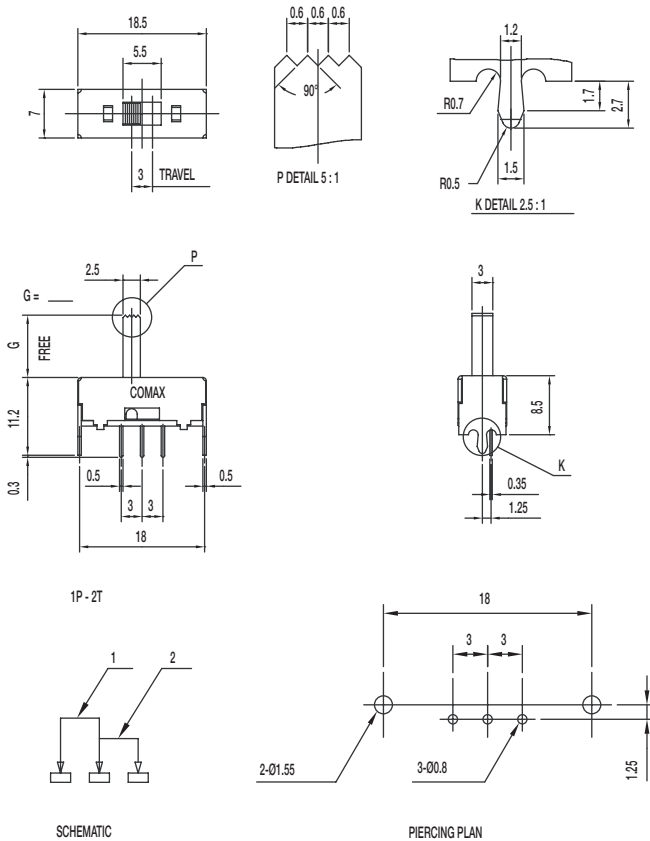
### Specifications

- CONTACT RATING: 0.3A @ 30 VDC
- INITIAL CONTACT RESISTANCE: 30 m ohms max.
- INSULATION RESISTANCE: 100 M ohms min.
- DIELECTRIC STRENGTH: 500 V AC (50-60 Hz) between open terminals and between the frame and terminal.
- OPERATING LIFE: 10,000 cycles with load
- OPERATING FORCE: 200 ± 100 gf (1.96 ± 0.98N)  
300 ± 100 gf (2.94 ± 0.98N)
- TRAVEL: 2 ± 0.3 mm
- OPERATING TEMPERATURE: -20°C to 70°C

### Materials

- KNOB: POM
- FRAME: SPCC
- CONTACT: Silver clad
- TERMINAL: Silver plated

## SS-12F28-G NS 1P2T NON-SHORTING



### Specifications

- CONTACT RATING: 0.3A @ 30 VDC
- INITIAL CONTACT RESISTANCE: 30 m ohms max.
- INSULATION RESISTANCE: 100 M ohms min.
- DIELECTRIC STRENGTH: 500 V AC (50-60 Hz) between open terminals and between the frame and terminal.
- OPERATING LIFE: 10,000 cycles with load
- OPERATING FORCE: 200 ± 100 gf (1.96 ± 0.98N)
- TRAVEL: 3 ± 0.3 mm
- OPERATING TEMPERATURE: -20°C to 70°C

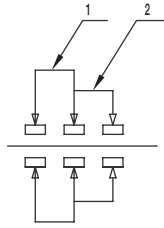
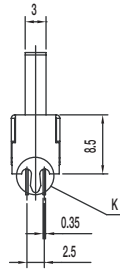
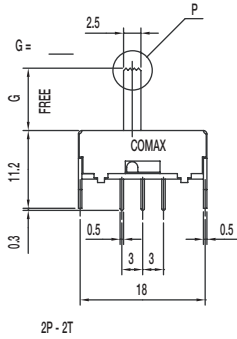
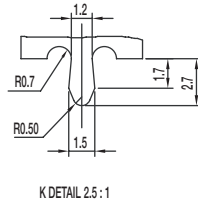
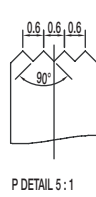
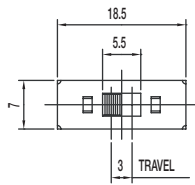
### Materials

- KNOB: POM
- FRAME: SPCC
- CONTACT: Silver clad
- TERMINAL: Silver plated

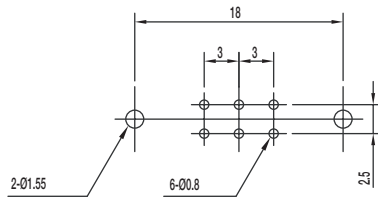
Dimensions are shown: Inch (mm)  
Specifications and dimensions subject to change

# SS Series Miniature Slide Switches

## SS-22F28-G S DPDT SHORTING



SCHEMATIC



PIERCING PLAN

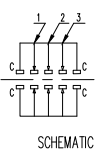
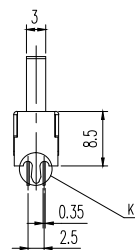
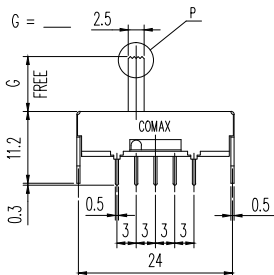
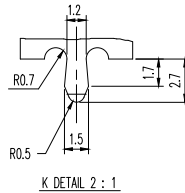
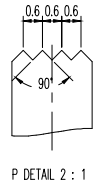
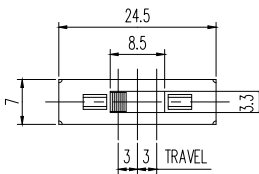
### Specifications

- CONTACT RATING: 0.3A @ 30 VDC
- INITIAL CONTACT RESISTANCE: 30 m ohms max.
- INSULATION RESISTANCE: 100 M ohms min.
- DIELECTRIC STRENGTH: 500 V AC (50-60 Hz) between open terminals and between the frame and terminal.
- OPERATING LIFE: 10,000 cycles with load
- OPERATING FORCE: 200 ± 100 gf (1.96 ± 0.98N)
- TRAVEL: 3 ± 0.3 mm
- OPERATING TEMPERATURE: -20°C to 70°C

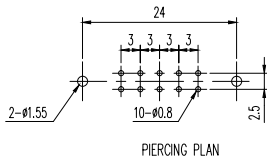
### Materials

- KNOB: POM
- FRAME: SPCC
- CONTACT: Silver clad
- TERMINAL: Silver plated

## SS-23F28-G 6 NS 2P3T NON-SHORTING



SCHEMATIC



PIERCING PLAN

### Specifications

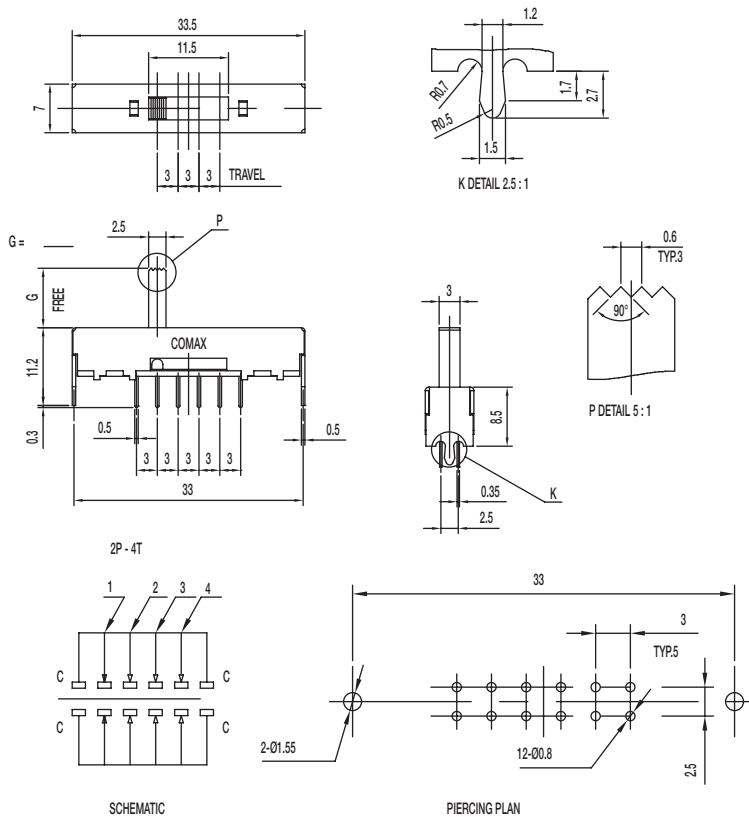
- CONTACT RATING: 0.3A @ 30 VDC
- INITIAL CONTACT RESISTANCE: 30 m ohms max.
- INSULATION RESISTANCE: 100 M ohms min.
- DIELECTRIC STRENGTH: 500 V AC (50-60 Hz) between open terminals and between the frame and terminal.
- OPERATING LIFE: 10,000 cycles with load
- OPERATING FORCE: 180 ± 50 gf (1.76 ± 0.49N) (A->B / C->B)  
220 ± 100 gf (2.16 ± 0.98N) (B->C / B->A)
- TRAVEL: 3 ± 0.3 mm
- OPERATING TEMPERATURE: -20°C to 70°C
- KNOB LENGTH: 6mm

### Materials

- KNOB: POM
- FRAME: SPCC
- CONTACT: Silver clad
- TERMINAL: Silver plated

# SS Series Miniature Slide Switches

## SS-24F28-G 2P4T NON-SHORTING



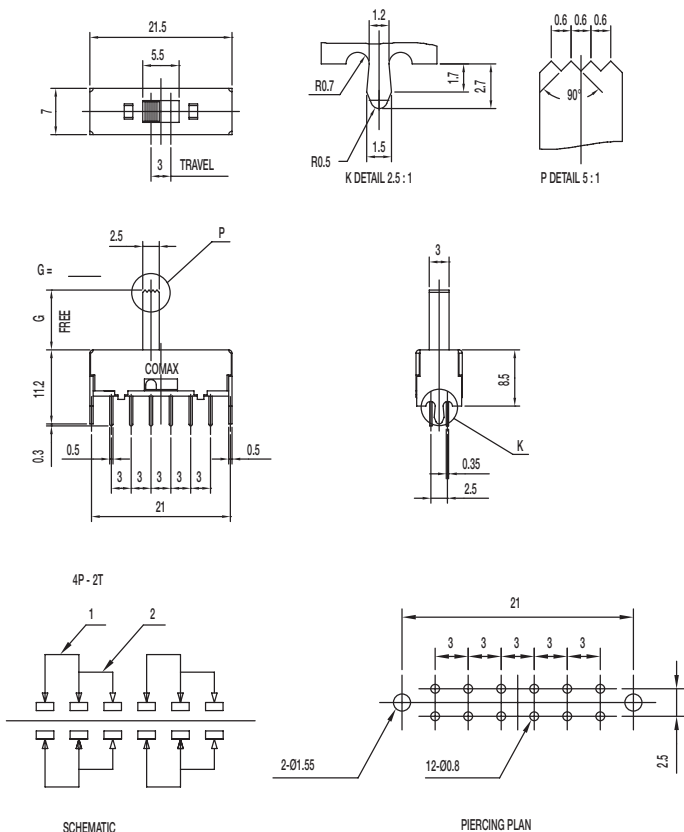
### Specifications

CONTACT RATING: 0.3A @ 30 VDC  
 INITIAL CONTACT RESISTANCE: 30 m ohms max.  
 INSULATION RESISTANCE: 100 M ohms min.  
 DIELECTRIC STRENGTH: 500 V AC (50-60 Hz) between open terminals and between the frame and terminal.  
 OPERATING LIFE: 10,000 cycles with load  
 OPERATING FORCE: 200 ± 100 gf (1.96 ± 0.98N)  
 250 ± 100 gf (2.45 ± 0.98N)  
 TRAVEL: 3 ± 0.3 mm  
 OPERATING TEMPERATURE: -20°C to 70°C

### Materials

KNOB: POM  
 FRAME: SPCC  
 CONTACT: Silver clad  
 TERMINAL: Silver plated

## SS-42F28-G NS 4P2T NON-SHORTING



### Specifications

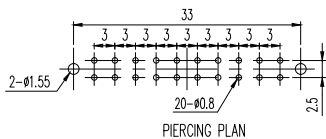
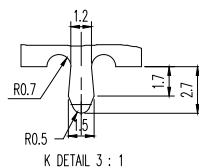
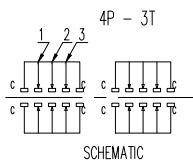
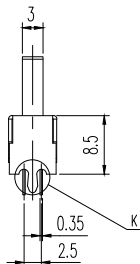
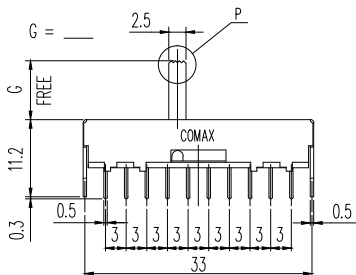
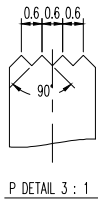
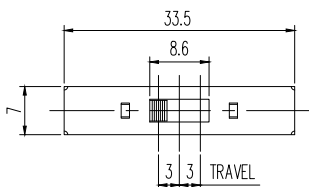
CONTACT RATING: 0.3A @ 30 VDC  
 INITIAL CONTACT RESISTANCE: 30 m ohms max.  
 INSULATION RESISTANCE: 100 M ohms min.  
 DIELECTRIC STRENGTH: 500 V AC (50-60 Hz) between open terminals and between the frame and terminal.  
 OPERATING LIFE: 10,000 cycles with load  
 OPERATING FORCE: 200 ± 100 gf (1.96 ± 0.98N)  
 TRAVEL: 3 ± 0.3 mm  
 OPERATING TEMPERATURE: -20°C to 70°C

### Materials

KNOB: POM  
 FRAME: SPCC  
 CONTACT: Silver clad  
 TERMINAL: Silver plated

# SS Series Miniature Slide Switches

## SS-43F28-G NS 4P3T NON-SHORTING



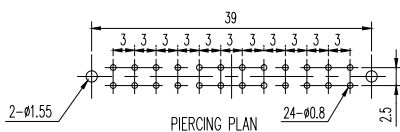
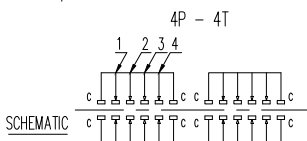
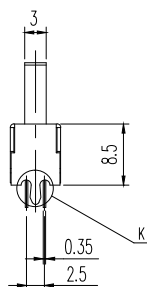
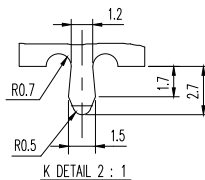
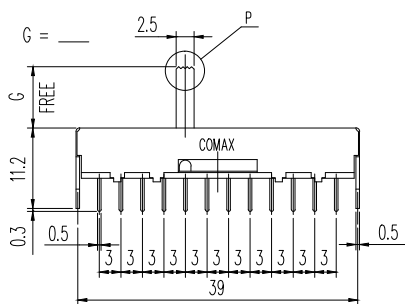
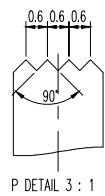
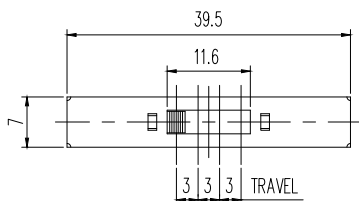
### Specifications

- CONTACT RATING: 0.3A @ 30 VDC
- INITIAL CONTACT RESISTANCE: 30 m ohms max.
- INSULATION RESISTANCE: 100 M ohms min.
- DIELECTRIC STRENGTH: 500 V AC (50-60 Hz) between open terminals and between the frame and terminal.
- OPERATING LIFE: 10,000 cycles with load
- OPERATING FORCE: 200 ± 100 gf (1.96 ± 0.98N)  
250 ± 100 gf (2.45 ± 0.98N)
- TRAVEL: 3 ± 0.3 mm
- OPERATING TEMPERATURE: -20°C to 70°C

### Materials

- KNOB: POM
- FRAME: SPCC
- CONTACT: Silver clad
- TERMINAL: Silver plated

## SS-44F28-G NS 4P4T NON-SHORTING



### Specifications

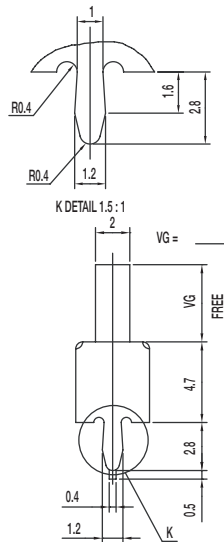
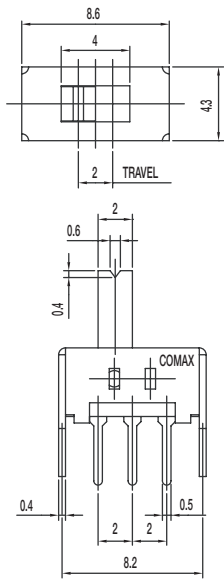
- CONTACT RATING: 0.3A @ 30 VDC
- INITIAL CONTACT RESISTANCE: 30 m ohms max.
- INSULATION RESISTANCE: 100 M ohms min.
- DIELECTRIC STRENGTH: 500 V AC (50-60 Hz) between open terminals and between the frame and terminal.
- OPERATING LIFE: 10,000 cycles with load
- OPERATING FORCE: 200 ± 100 gf (1.96 ± 0.98N)  
250 ± 100 gf (2.45 ± 0.98N)
- TRAVEL: 3 ± 0.3 mm
- OPERATING TEMPERATURE: -20°C to 70°C

### Materials

- KNOB: POM
- FRAME: SPCC
- CONTACT: Silver clad
- TERMINAL: Silver plated

# SS Series Miniature Slide Switches

**SS-12D07-G NS** 1P2T NON-SHORTING



## Specifications

CONTACT RATING: 0.3A @ 30 VDC

INITIAL CONTACT RESISTANCE: 30 m ohms max.

INSULATION RESISTANCE: 100 M ohms min.

DIELECTRIC STRENGTH: 500 V AC (50-60 Hz) between open terminals and between the frame and terminal.

OPERATING LIFE: 10,000 cycles with load

OPERATING FORCE: 250 ± 100 gf (2.45 ± 0.98N)

TRAVEL: 2 ± 0.3 mm

OPERATING TEMPERATURE: -20°C to 70°C

## Materials

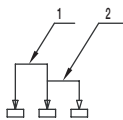
KNOB: POM

FRAME: SPCC

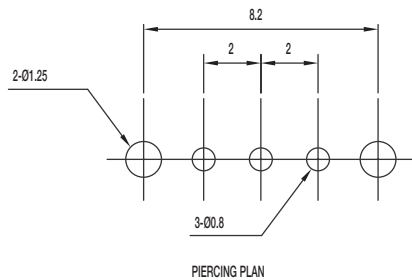
CONTACT: Silver clad

TERMINAL: Silver plated

1P - 2T



SCHEMATIC



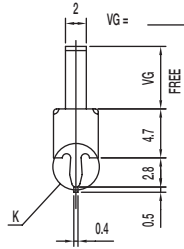
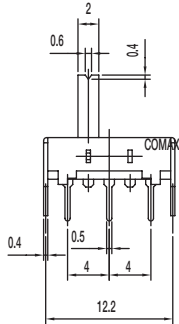
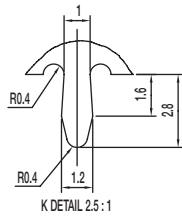
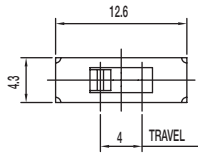
PIERCING PLAN



Slide

# SS Series Miniature Slide Switches

**SS-12H26-VG** 1P2T NON-SHORTING



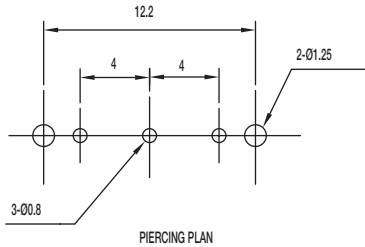
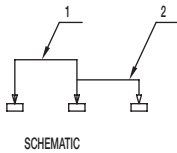
## Specifications

- CONTACT RATING: 0.3A @ 30 VDC
- INITIAL CONTACT RESISTANCE: 30 m ohms max.
- INSULATION RESISTANCE: 100 M ohms min.
- DIELECTRIC STRENGTH: 500 V AC (50-60 Hz) between open terminals and between the frame and terminal.
- OPERATING LIFE: 10,000 cycles with load
- OPERATING FORCE: 150 ± 100 gf (1.47 ± 0.98N)
- TRAVEL: 2 ± 0.3 mm
- OPERATING TEMPERATURE: -20°C to 70°C

## Materials

- KNOB: POM
- FRAME: SPCC
- CONTACT: Silver clad
- TERMINAL: Silver plated

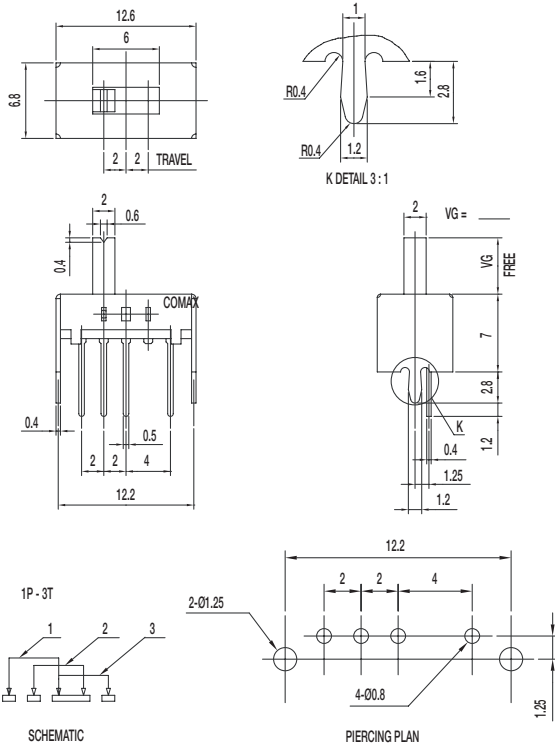
1P - 2T



Slide

# SS Series Miniature Slide Switches

## SS-13D08-VG 1P3T



### Specifications

CONTACT RATING: 0.3A @ 30 VDC  
 INITIAL CONTACT RESISTANCE: 30 m ohms max.  
 INSULATION RESISTANCE: 100 M ohms min.  
 DIELECTRIC STRENGTH: 500 V AC (50-60 Hz) between open terminals and between the frame and terminal.  
 OPERATING LIFE: 10,000 cycles with load  
 OPERATING FORCE: 150 ± 50 gf (1.47 ± 0.49N)  
 200 ± 100 gf (1.96 ± 0.98N)  
 TRAVEL: 2 ± 0.3 mm  
 OPERATING TEMPERATURE: -20°C to 70°C

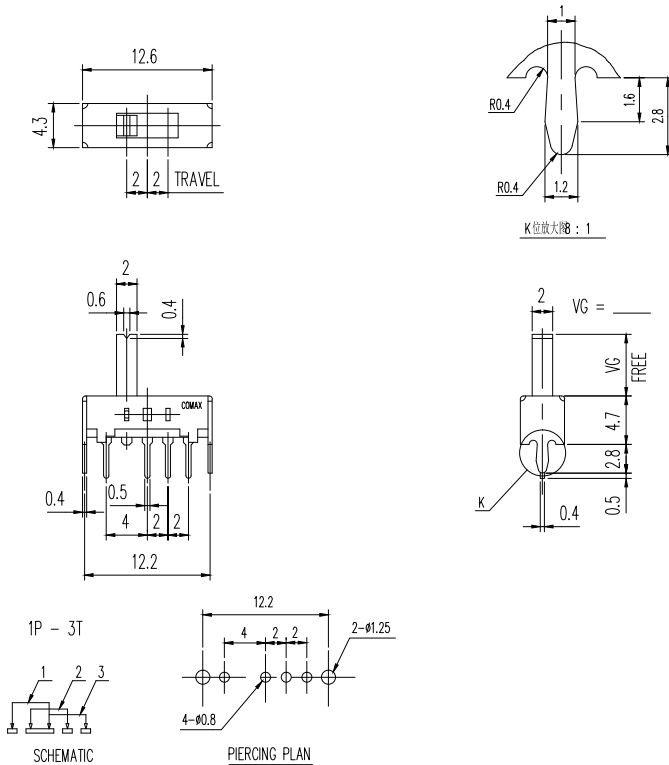
### Materials

KNOB: POM  
 FRAME: SPCC  
 CONTACT: Silver clad  
 TERMINAL: Silver plated



Slide

## SS-13D16-VG 1P3T



### Specifications

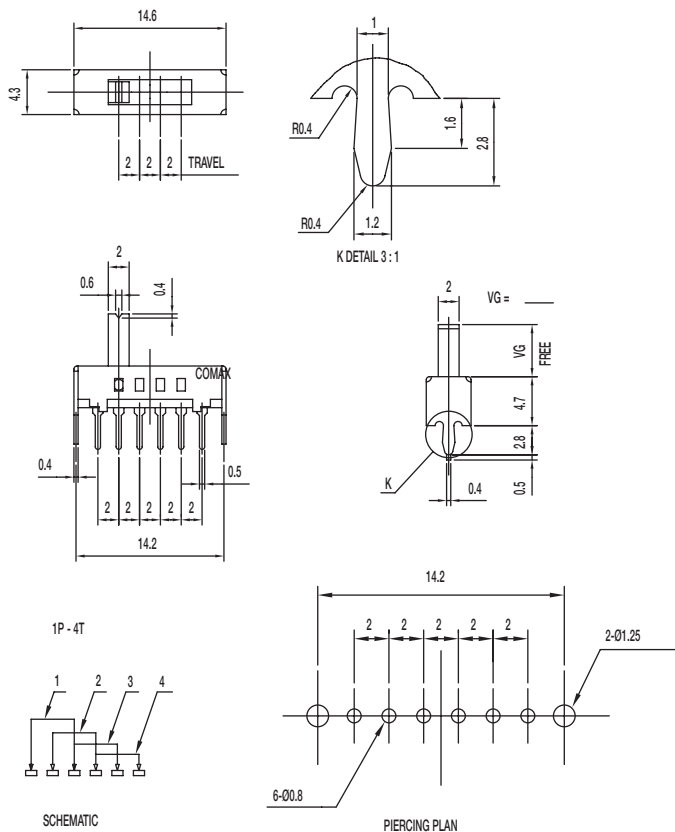
CONTACT RATING: 0.3A @ 30 VDC  
 INITIAL CONTACT RESISTANCE: 30 m ohms max.  
 INSULATION RESISTANCE: 100 M ohms min.  
 DIELECTRIC STRENGTH: 500 V AC (50-60 Hz) between open terminals and between the frame and terminal.  
 OPERATING LIFE: 10,000 cycles with load  
 OPERATING FORCE: 200 ± 100 gf (1.96 ± 0.98N)  
 250 ± 100 gf (2.45 ± 0.98N)  
 TRAVEL: 2 ± 0.3 mm  
 OPERATING TEMPERATURE: -20°C to 70°C

### Materials

KNOB: POM  
 FRAME: SPCC  
 CONTACT: Silver clad  
 TERMINAL: Silver plated

# SS Series Miniature Slide Switches

## SS-14D01-VG 1P4T



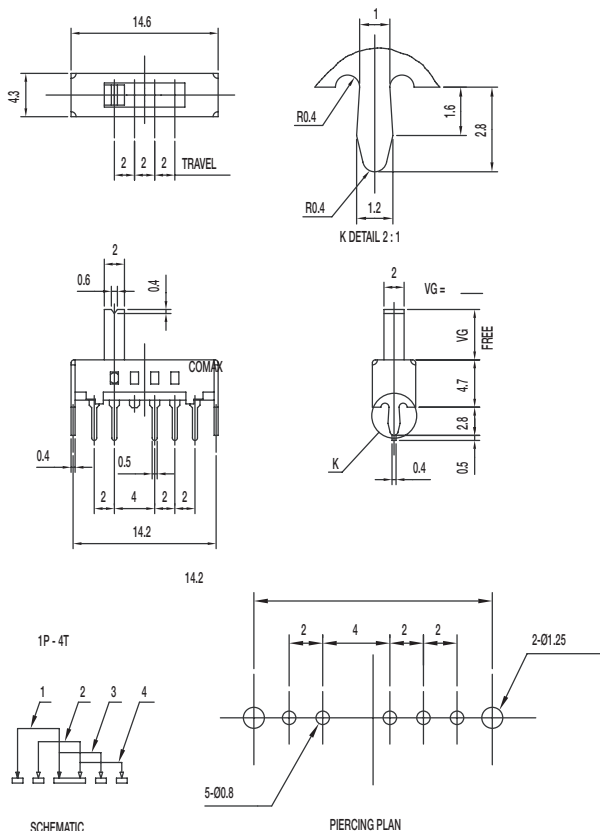
### Specifications

CONTACT RATING: 0.3A @ 30 VDC  
 INITIAL CONTACT RESISTANCE: 30 m ohms max.  
 INSULATION RESISTANCE: 100 M ohms min.  
 DIELECTRIC STRENGTH: 500 V AC (50-60 Hz) between open terminals and between the frame and terminal.  
 OPERATING LIFE: 10,000 cycles with load  
 OPERATING FORCE: 200 ± 100 gf (1.96 ± 0.98N)  
 TRAVEL: 2 ± 0.3 mm  
 OPERATING TEMPERATURE: -20°C to 70°C

### Materials

KNOB: POM  
 FRAME: SPCC  
 CONTACT: Silver clad  
 TERMINAL: Silver plated

## SS-14D07-VG 1P4T



### Specifications

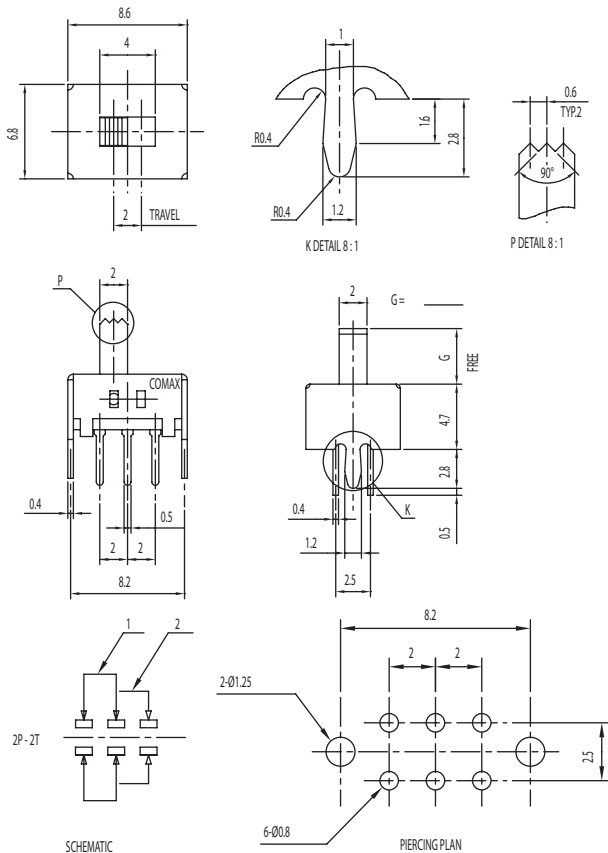
CONTACT RATING: 0.3A @ 30 VDC  
 INITIAL CONTACT RESISTANCE: 30 m ohms max.  
 INSULATION RESISTANCE: 100 M ohms min.  
 DIELECTRIC STRENGTH: 500 V AC (50-60 Hz) between open terminals and between the frame and terminal.  
 OPERATING LIFE: 10,000 cycles with load  
 OPERATING FORCE: 200 ± 100 gf (1.96 ± 0.98N)  
 TRAVEL: 2 ± 0.3 mm  
 OPERATING TEMPERATURE: -20°C to 70°C

### Materials

KNOB: POM  
 FRAME: SPCC  
 CONTACT: Silver clad  
 TERMINAL: Silver plated

# SS Series Miniature Slide Switches

## SS-22D07-VG S DPDT SHORTING



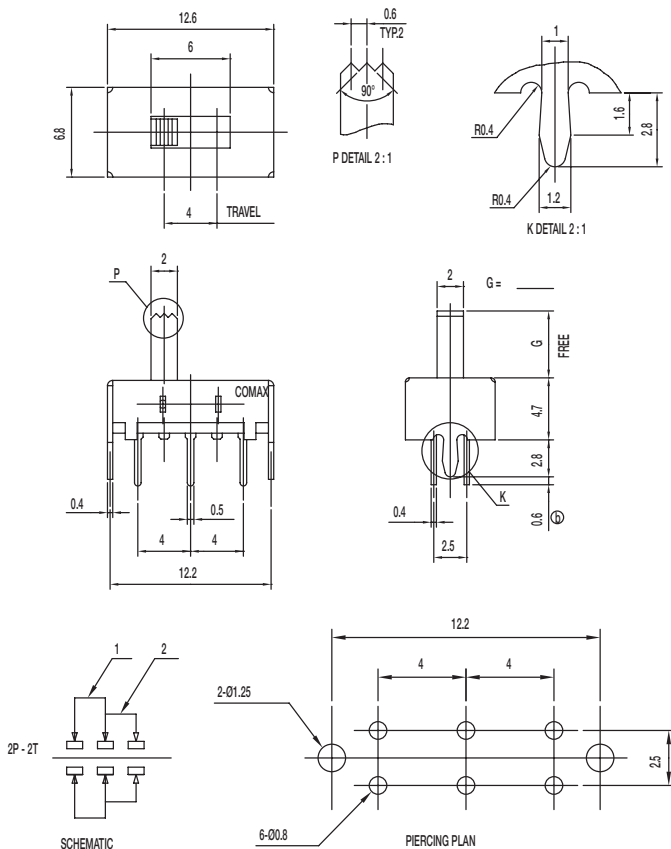
### Specifications

CONTACT RATING: 0.3A @ 30 VDC  
 INITIAL CONTACT RESISTANCE: 30 m ohms max.  
 INSULATION RESISTANCE: 100 M ohms min.  
 DIELECTRIC STRENGTH: 500 V AC (50-60 Hz) between open terminals and between the frame and terminal.  
 OPERATING LIFE: 10,000 cycles with load  
 OPERATING FORCE: 250 ± 100 gf (2.45 ± 0.98N)  
 TRAVEL: 2 ± 0.3 mm  
 OPERATING TEMPERATURE: -20°C to 70°C

### Materials

KNOB: POM  
 FRAME: SPCC  
 CONTACT: Silver clad  
 TERMINAL: Silver plated

## SS-22H08-G DPDT NON-SHORTING



### Specifications

CONTACT RATING: 0.3A @ 30 VDC  
 INITIAL CONTACT RESISTANCE: 30 m ohms max.  
 INSULATION RESISTANCE: 100 M ohms min.  
 DIELECTRIC STRENGTH: 500 V AC (50-60 Hz) between open terminals and between the frame and terminal.  
 OPERATING LIFE: 10,000 cycles with load  
 OPERATING FORCE: 200 ± 100 gf (1.96 ± 0.98N)  
 TRAVEL: 4 ± 0.3 mm  
 OPERATING TEMPERATURE: -20°C to 70°C

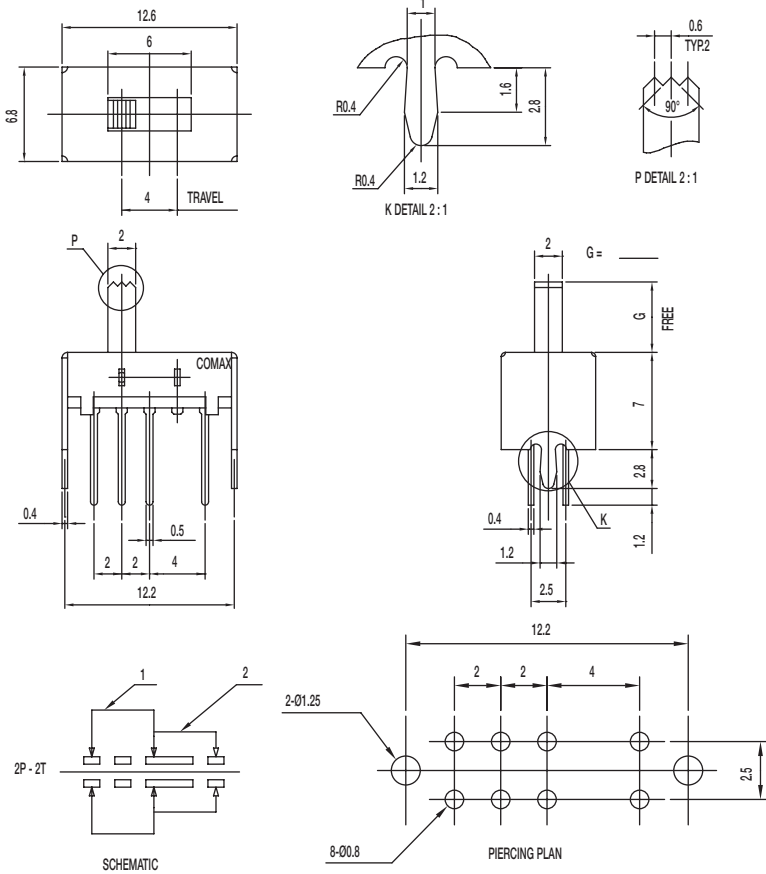
### Materials

KNOB: POM  
 FRAME: SPCC  
 CONTACT: Silver clad  
 TERMINAL: Silver plated

# SS Series Miniature Slide Switches

**SS-22H16-G** DPDT NON-SHORTING

Slide



## Specifications

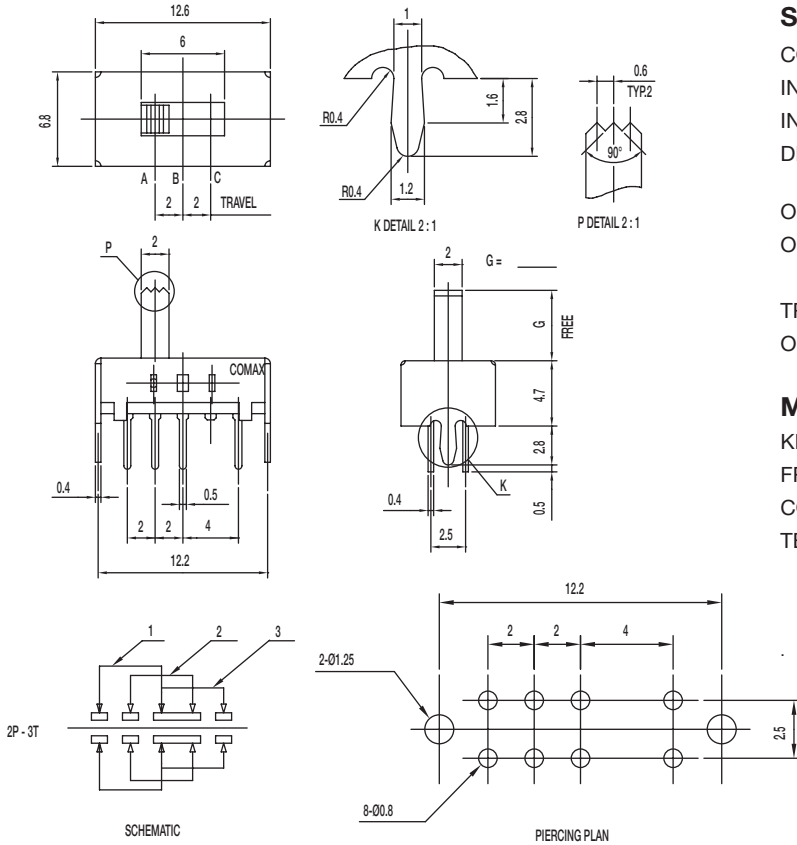
CONTACT RATING: 0.3A @ 30 VDC  
 INITIAL CONTACT RESISTANCE: 30 m ohms max.  
 INSULATION RESISTANCE: 100 M ohms min.  
 DIELECTRIC STRENGTH: 500 V AC (50-60 Hz) between open terminals and between the frame and terminal.  
 OPERATING LIFE: 10,000 cycles with load  
 OPERATING FORCE: 200 ± 100 gf (1.96 ± 0.98N)  
 TRAVEL: 4 ± 0.3 mm  
 OPERATING TEMPERATURE: -20°C to 70°C

## Materials

KNOB: POM  
 FRAME: SPCC  
 CONTACT: Silver clad  
 TERMINAL: Silver plated

# SS Series Miniature Slide Switches

## SS-23D07-G PA 2P3T NON-SHORTING



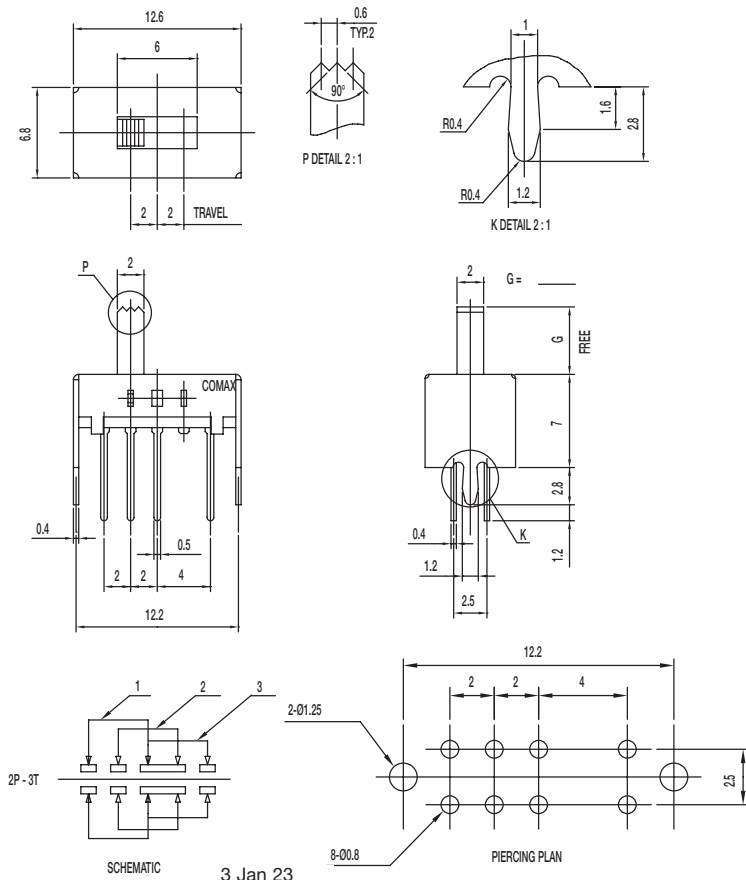
### Specifications

CONTACT RATING: 0.3A @ 30 VDC  
 INITIAL CONTACT RESISTANCE: 30 m ohms max.  
 INSULATION RESISTANCE: 100 M ohms min.  
 DIELECTRIC STRENGTH: 500 V AC (50-60 Hz) between open terminals and between the frame and terminal.  
 OPERATING LIFE: 10,000 cycles with load  
 OPERATING FORCE: 250 ± 150 gf (2.45 ± 1.47N)  
 300 ± 150 gf (2.94 ± 1.47N)  
 TRAVEL: 2 ± 0.3 mm  
 OPERATING TEMPERATURE: -20°C to 80°C

### Materials

KNOB: PA  
 FRAME: SPCC  
 CONTACT: Silver clad  
 TERMINAL: Silver plated

## SS-23D08-G 2P3T



### Specifications

CONTACT RATING: 0.3A @ 30 VDC  
 INITIAL CONTACT RESISTANCE: 30 m ohms max.  
 INSULATION RESISTANCE: 100 M ohms min.  
 DIELECTRIC STRENGTH: 500 V AC (50-60 Hz) between open terminals and between the frame and terminal.  
 OPERATING LIFE: 10,000 cycles with load  
 OPERATING FORCE: 150 ± 50 gf (1.47 ± 0.49N)  
 200 ± 100 gf (1.96 ± 0.98N)  
 TRAVEL: 2 ± 0.3 mm  
 OPERATING TEMPERATURE: -20°C to 70°C

### Materials

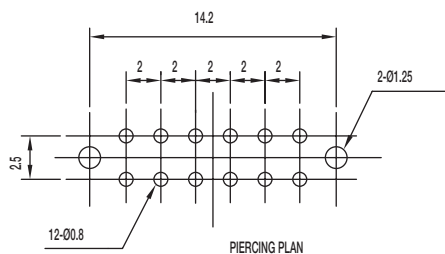
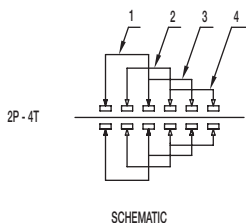
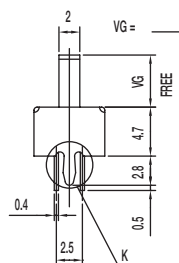
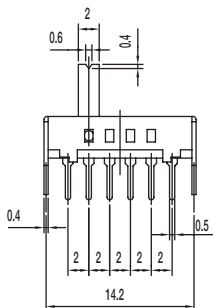
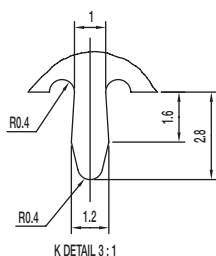
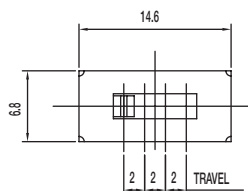
KNOB: POM  
 FRAME: SPCC  
 CONTACT: Silver clad  
 TERMINAL: Silver plated

Dimensions are shown: Inches (mm)  
 Specifications and dimensions subject to change

Slide

# SS Series Miniature Slide Switches

**SS-24D02-VG** 2P4T



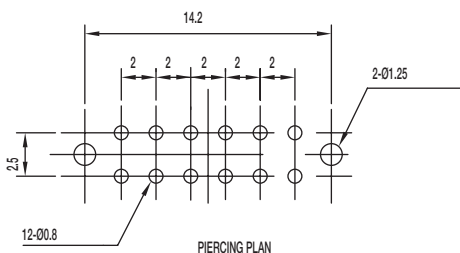
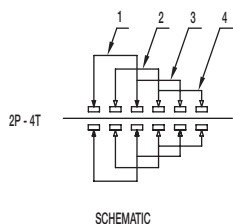
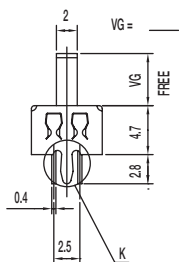
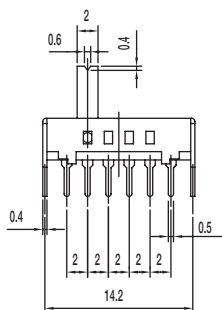
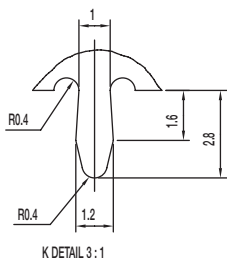
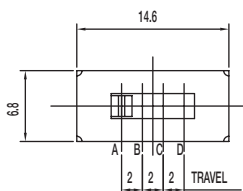
## Specifications

CONTACT RATING: 0.3A @ 30 VDC  
 INITIAL CONTACT RESISTANCE: 30 m ohms max.  
 INSULATION RESISTANCE: 100 M ohms min.  
 DIELECTRIC STRENGTH: 500 V AC (50-60 Hz) between open terminals and between the frame and terminal.  
 OPERATING LIFE: 10,000 cycles with load  
 OPERATING FORCE: 250 ± 100 gf (2.45 ± 0.98N)  
 TRAVEL: 2 ± 0.3 mm  
 OPERATING TEMPERATURE: -20°C to 70°C

## Materials

KNOB: POM  
 FRAME: SPCC  
 CONTACT: Silver clad  
 TERMINAL: Silver plated

**SS-24D04-VG PA** 2P4T



## Specifications

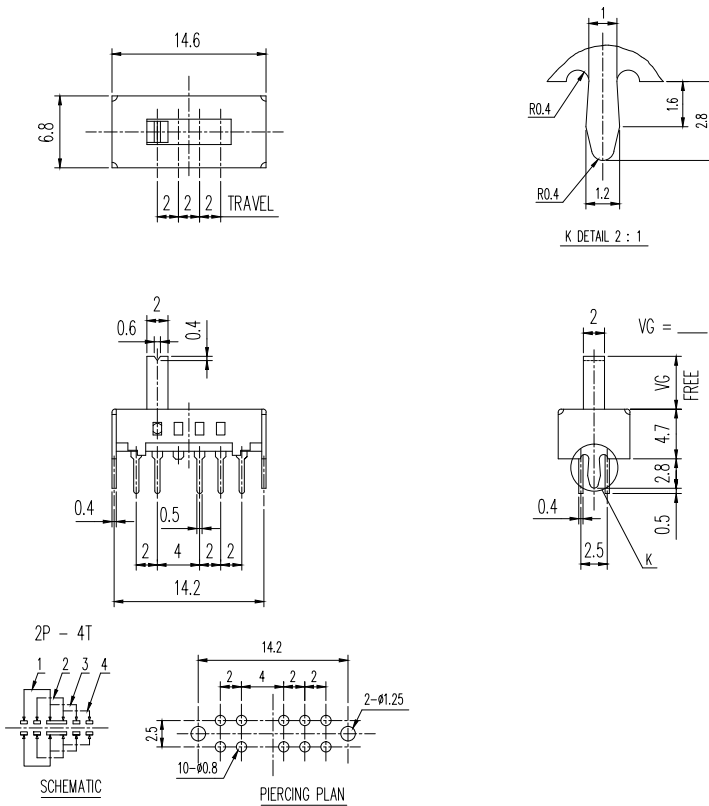
CONTACT RATING: 0.3A @ 30 VDC  
 INITIAL CONTACT RESISTANCE: 30 m ohms max.  
 INSULATION RESISTANCE: 100 M ohms min.  
 DIELECTRIC STRENGTH: 500 V AC (50-60 Hz) between open terminals and between the frame and terminal.  
 OPERATING LIFE: 10,000 cycles with load  
 OPERATING FORCE: 250 ± 100 gf (2.45 ± 0.98N)  
 TRAVEL: 2 ± 0.3 mm  
 OPERATING TEMPERATURE: -20°C to 70°C

## Materials

KNOB: PA  
 FRAME: SPCC  
 CONTACT: Silver clad  
 TERMINAL: Silver plated

# SS Series Miniature Slide Switches

## SS-24D07-VG PA 2P4T



### Specifications

CONTACT RATING: 0.3A @ 30 VDC  
 INITIAL CONTACT RESISTANCE: 30 m ohms max.  
 INSULATION RESISTANCE: 100 M ohms min.  
 DIELECTRIC STRENGTH: 500 V AC (50-60 Hz) between open terminals and between the frame and terminal.  
 OPERATING LIFE: 10,000 cycles with load  
 OPERATING FORCE: 250 ± 100 gf (2.45 ± 0.98N)  
 TRAVEL: 2 ± 0.3 mm  
 OPERATING TEMPERATURE: -20°C to 70°C

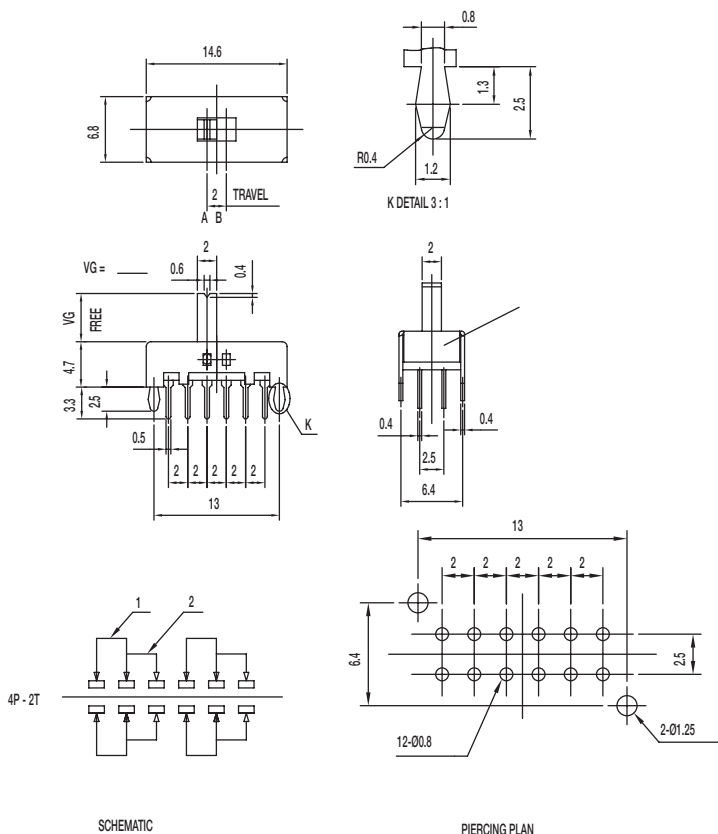
### Materials

KNOB: PA  
 FRAME: SPCC  
 CONTACT: Silver clad  
 TERMINAL: Silver plated



Slide

## SS-42D07-VG NS 4P2T NON-SHORTING



### Specifications

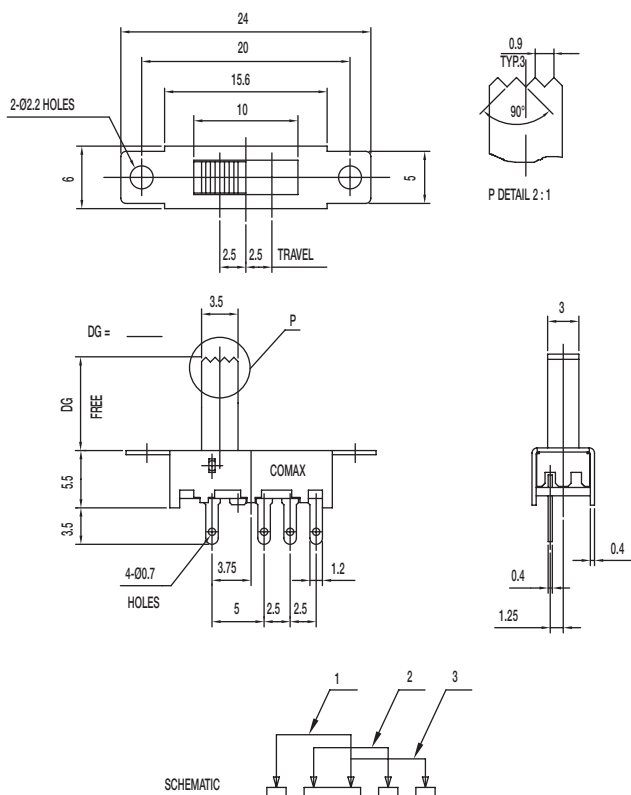
CONTACT RATING: 0.3A @ 30 VDC  
 INITIAL CONTACT RESISTANCE: 30 m ohms max.  
 INSULATION RESISTANCE: 100 M ohms min.  
 DIELECTRIC STRENGTH: 500 V AC (50-60 Hz) between open terminals and between the frame and terminal.  
 OPERATING LIFE: 10,000 cycles with load  
 OPERATING FORCE: 250 ± 100 gf (2.45 ± 0.98N)  
 TRAVEL: 2 ± 0.3 mm  
 OPERATING TEMPERATURE: -20°C to 70°C

### Materials

KNOB: POM  
 FRAME: SPCC  
 CONTACT: Silver clad  
 TERMINAL: Silver plated

# SS Series Miniature Slide Switches

## SS-13E08-DG 1P3T



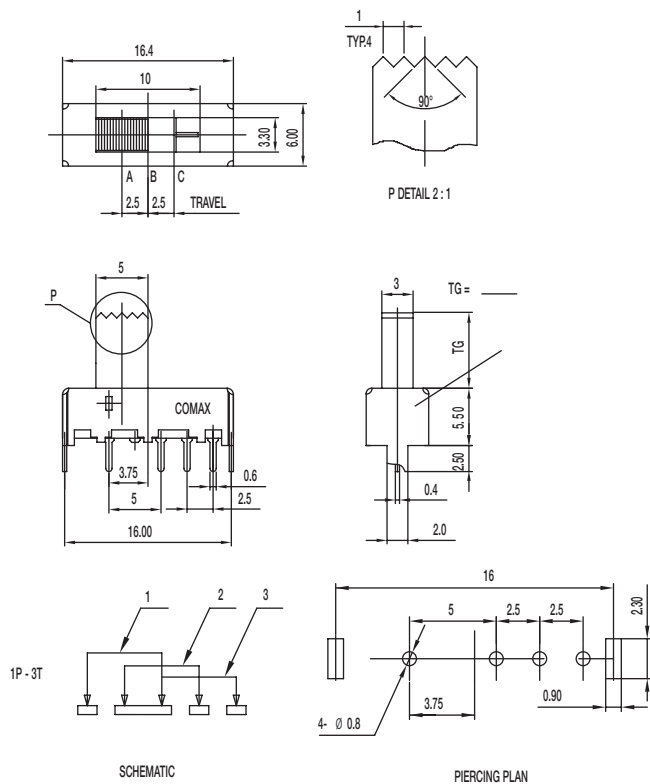
### Specifications

CONTACT RATING: 0.3A @ 30 VDC  
 INITIAL CONTACT RESISTANCE: 30 m ohms max.  
 INSULATION RESISTANCE: 100 M ohms min.  
 DIELECTRIC STRENGTH: 500 V AC (50-60 Hz) between open terminals and between the frame and terminal.  
 OPERATING LIFE: 10,000 cycles with load  
 OPERATING FORCE: 200 ± 100 gf (1.96 ± 0.98N)  
 250 ± 100 gf (2.45 ± 0.98N)  
 TRAVEL: 2.5 ± 0.3 mm  
 OPERATING TEMPERATURE: -20°C to 70°C

### Materials

KNOB: POM  
 FRAME: SPCC  
 CONTACT: Silver clad  
 TERMINAL: Silver plated

## SS-13E29-TG 1P3T



### Specifications

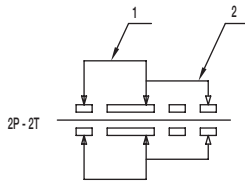
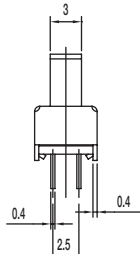
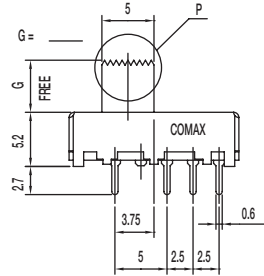
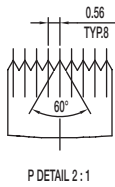
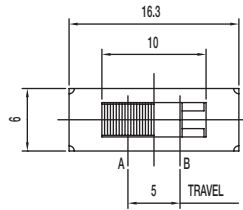
CONTACT RATING: 0.3A @ 30 VDC  
 INITIAL CONTACT RESISTANCE: 30 m ohms max.  
 INSULATION RESISTANCE: 100 M ohms min.  
 DIELECTRIC STRENGTH: 500 V AC (50-60 Hz) between open terminals and between the frame and terminal.  
 OPERATING LIFE: 10,000 cycles with load  
 OPERATING FORCE: 200 ± 100 gf (1.96 ± 0.98N)  
 250 ± 100 gf (2.45 ± 0.98N)  
 TRAVEL: 2.5 ± 0.3 mm  
 OPERATING TEMPERATURE: -20°C to 70°C

### Materials

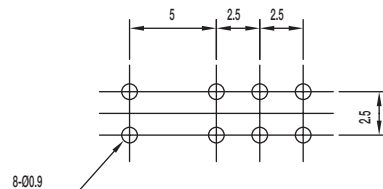
KNOB: POM  
 FRAME: SPCC  
 CONTACT: Silver clad  
 TERMINAL: Silver plated

# SS Series Miniature Slide Switches

**SS-22J08-G** DPDT NON-SHORTING



SCHEMATIC



PIERCING PLAN

## Specifications

CONTACT RATING: 0.3A @ 30 VDC

INITIAL CONTACT RESISTANCE: 30 m ohms max.

INSULATION RESISTANCE: 100 M ohms min.

DIELECTRIC STRENGTH: 500 V AC (50-60 Hz) between open terminals and between the frame and terminal.

OPERATING LIFE: 10,000 cycles with load

OPERATING FORCE: 200 ± 100 gf (1.96 ± 0.98N)

TRAVEL: 5 ± 0.3 mm

OPERATING TEMPERATURE: -20°C to 70°C

## Materials

KNOB: POM

FRAME: SPCC

CONTACT: Silver clad

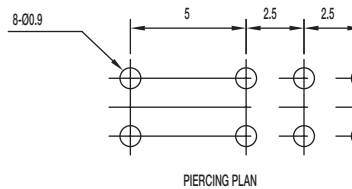
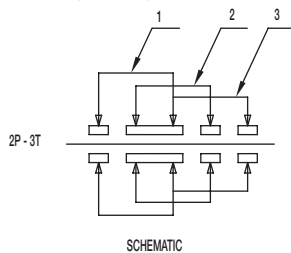
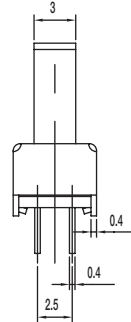
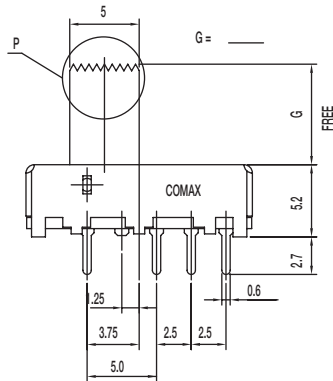
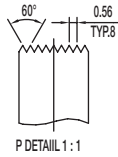
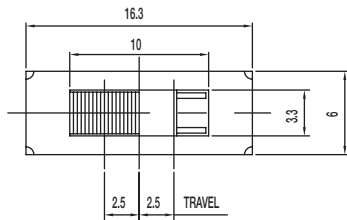
TERMINAL: Silver plated



Slide

# SS Series Miniature Slide Switches

## SS-23E06-G 2P3T



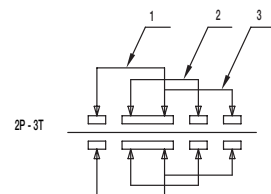
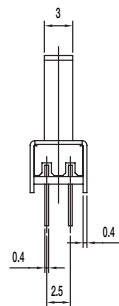
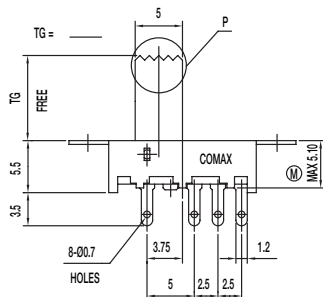
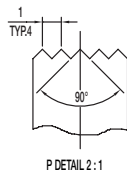
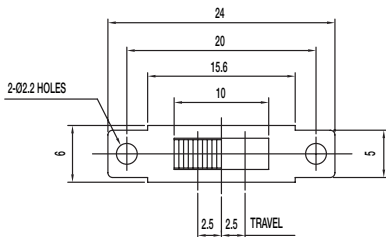
### Specifications

- CONTACT RATING: 0.3A @ 30 VDC
- INITIAL CONTACT RESISTANCE: 30 m ohms max.
- INSULATION RESISTANCE: 100 M ohms min.
- DIELECTRIC STRENGTH: 500 V AC (50-60 Hz) between open terminals and between the frame and terminal.
- OPERATING LIFE: 10,000 cycles with load
- OPERATING FORCE: 200 ± 100 gf (1.96 ± 0.98N)  
250 ± 100 gf (2.45 ± 0.98N)
- TRAVEL: 2.5 ± 0.3 mm
- OPERATING TEMPERATURE: -20°C to 70°C

### Materials

- KNOB: POM
- FRAME: SPCC
- CONTACT: Silver clad
- TERMINAL: Silver plated

## SS-23E08-TG 2P3T



SCHEMATIC

TG=6,8,9mm Max 5.10mm

### Specifications

- CONTACT RATING: 0.3A @ 30 VDC
- INITIAL CONTACT RESISTANCE: 30 m ohms max.
- INSULATION RESISTANCE: 100 M ohms min.
- DIELECTRIC STRENGTH: 500 V AC (50-60 Hz) between open terminals and between the frame and terminal.
- OPERATING LIFE: 10,000 cycles with load
- OPERATING FORCE: 200 ± 100 gf (1.96 ± 0.98N)  
250 ± 100 gf (2.45 ± 0.98N)
- TRAVEL: 2.5 ± 0.3 mm
- OPERATING TEMPERATURE: -20°C to 80°C

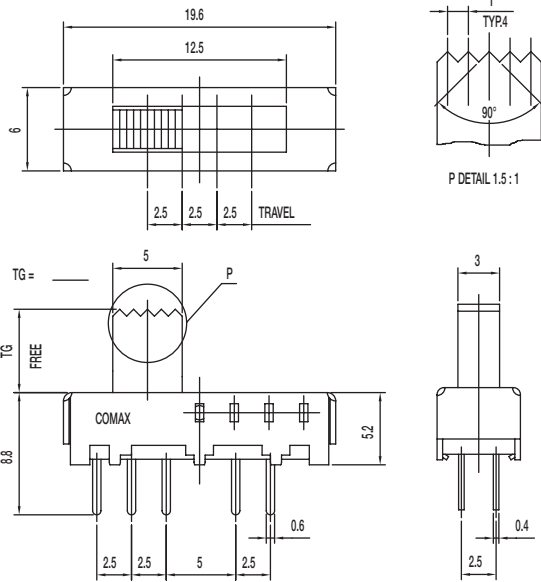
### Materials

- KNOB: POM
- FRAME: SPCC
- CONTACT: Silver clad
- TERMINAL: Silver plated

Dimensions are shown: Inch (mm)  
Specifications and dimensions subject to change

# SS Series Miniature Slide Switches

## SS-24E06-TG 2P4T SHORTING



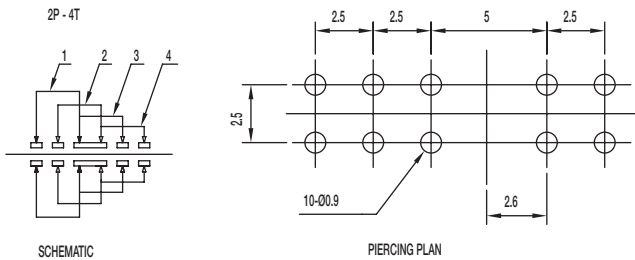
### Specifications

CONTACT RATING: 0.3A @ 30 VDC  
 INITIAL CONTACT RESISTANCE: 30 m ohms max.  
 INSULATION RESISTANCE: 100 M ohms min.  
 DIELECTRIC STRENGTH: 500 V AC (50-60 Hz) between open terminals and between the frame and terminal.  
 OPERATING LIFE: 10,000 cycles with load  
 OPERATING FORCE: 250 ± 100 gf (2.45 ± 0.98N)  
 TRAVEL: 2.5 ± 0.3 mm  
 OPERATING TEMPERATURE: -20°C to 70°C

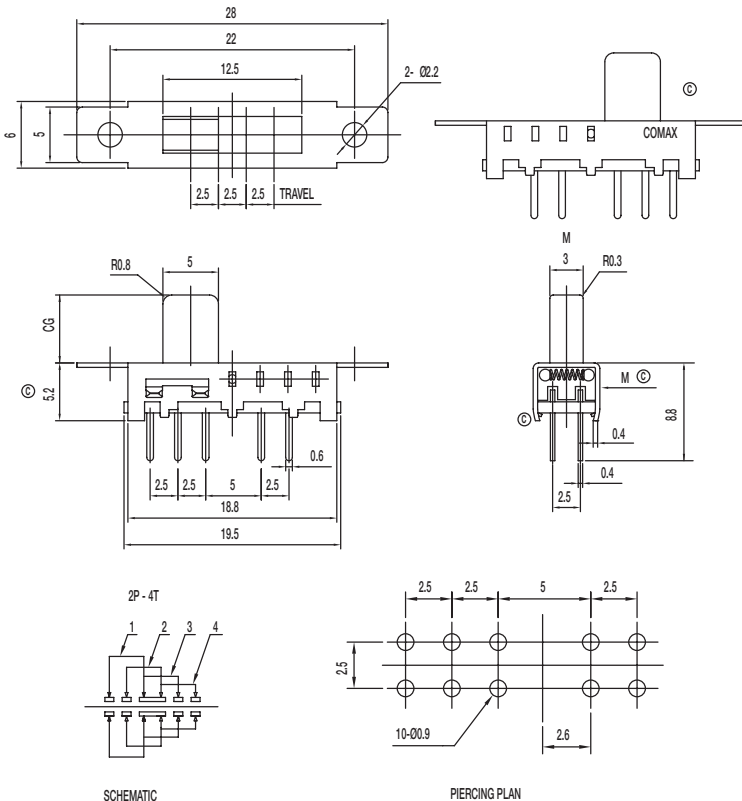
### Materials

KNOB: POM  
 FRAME: SPCC  
 CONTACT: Silver clad  
 TERMINAL: Silver plated

Slide



## SS-24E08-CG 2P4T



### Specifications

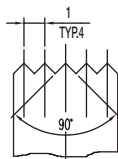
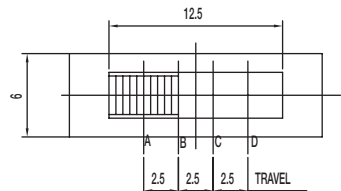
CONTACT RATING: 0.3A @ 30 VDC  
 INITIAL CONTACT RESISTANCE: 30 m ohms max.  
 INSULATION RESISTANCE: 100 M ohms min.  
 DIELECTRIC STRENGTH: 500 V AC (50-60 Hz) between open terminals and between the frame and terminal.  
 OPERATING LIFE: 10,000 cycles with load  
 OPERATING FORCE: 250 ± 100 gf (2.45 ± 0.98N)  
 TRAVEL: 2.5 ± 0.3 mm  
 OPERATING TEMPERATURE: -20°C to 70°C

### Materials

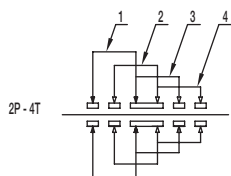
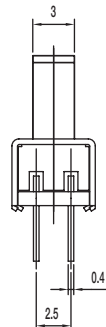
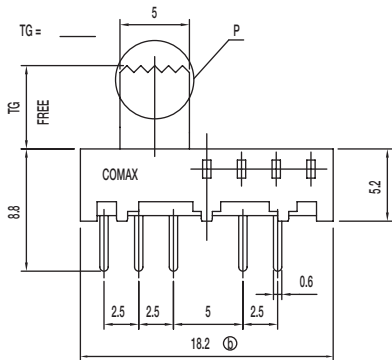
KNOB: POM  
 FRAME: SPCC  
 CONTACT: Silver clad  
 TERMINAL: Silver plated

# SS Series Miniature Slide Switches

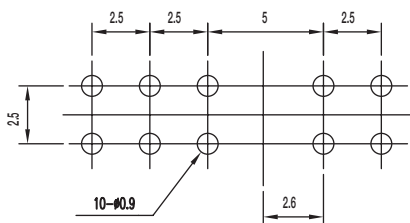
## SS-24E09-TG 2P4T



P DETAIL 1.5:1



SCHEMATIC



PIERCING PLAN

### Specifications

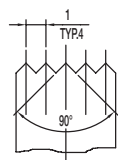
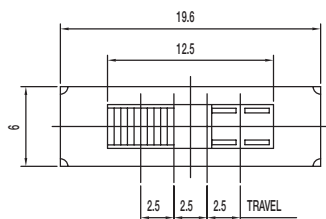
CONTACT RATING: 0.3A @ 30 VDC  
 INITIAL CONTACT RESISTANCE: 30 m ohms max.  
 INSULATION RESISTANCE: 100 M ohms min.  
 DIELECTRIC STRENGTH: 500 V AC (50-60 Hz) between open terminals and between the frame and terminal.  
 OPERATING LIFE: 10,000 cycles with load  
 OPERATING FORCE: 250 ± 100 gf (2.45 ± 0.98N)  
 TRAVEL: 2.5 ± 0.3 mm  
 OPERATING TEMPERATURE: -20°C to 70°C

### Materials

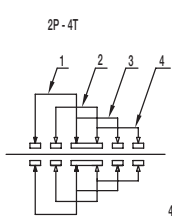
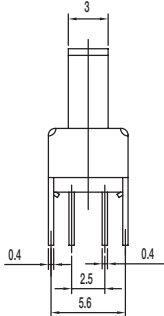
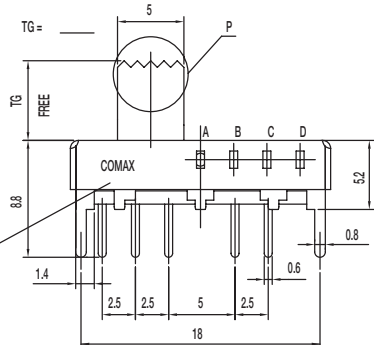
KNOB: POM  
 FRAME: SPCC  
 CONTACT: Silver clad  
 TERMINAL: Silver plated

Slide

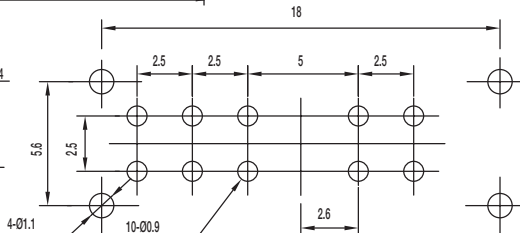
## SS-24E10-TG 2P4T



P DETAIL 1.5:1



SCHEMATIC



PIERCING PLAN

### Specifications

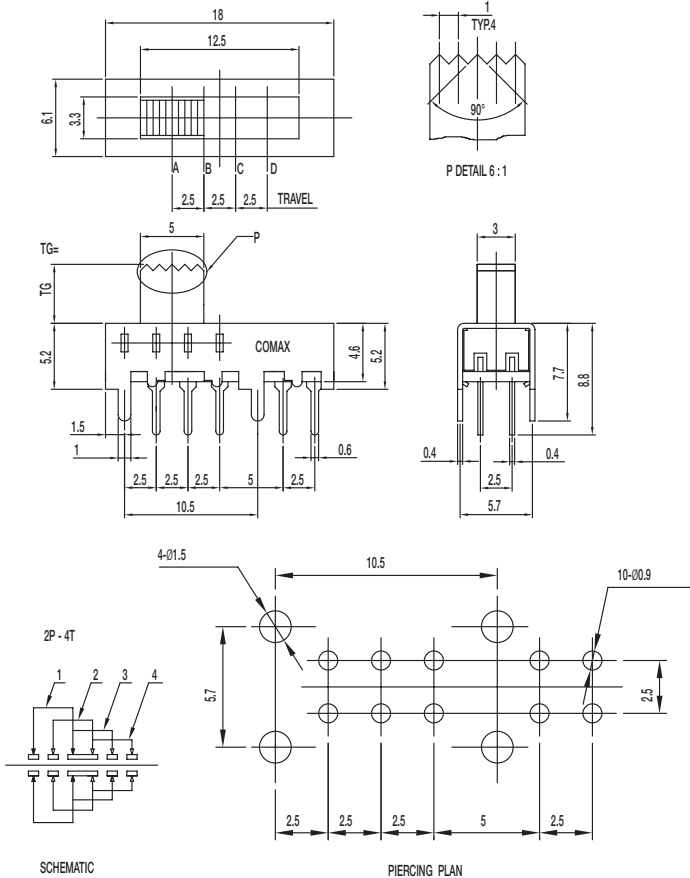
CONTACT RATING: 0.3A @ 30 VDC  
 INITIAL CONTACT RESISTANCE: 30 m ohms max.  
 INSULATION RESISTANCE: 100 M ohms min.  
 DIELECTRIC STRENGTH: 500 V AC (50-60 Hz) between open terminals and between the frame and terminal.  
 OPERATING LIFE: 10,000 cycles with load  
 OPERATING FORCE: 250 ± 100 gf (2.45 ± 0.98N)  
 TRAVEL: 2.5 ± 0.3 mm  
 OPERATING TEMPERATURE: -20°C to 70°C

### Materials

KNOB: POM  
 FRAME: SPCC  
 CONTACT: Silver clad  
 TERMINAL: Silver plated

# SS Series Miniature Slide Switches

## SS-24E19-TG 2P4T



### Specifications

- CONTACT RATING: 0.3A @ 30 VDC
- INITIAL CONTACT RESISTANCE: 30 m ohms max.
- INSULATION RESISTANCE: 100 M ohms min.
- DIELECTRIC STRENGTH: 500 V AC (50-60 Hz) between open terminals and between the frame and terminal.
- OPERATING LIFE: 10,000 cycles with load
- OPERATING FORCE: 250 ± 100 gf (2.45 ± 0.98N)
- TRAVEL: 2.5 ± 0.3 mm
- OPERATING TEMPERATURE: -10°C to 60°C

### Materials

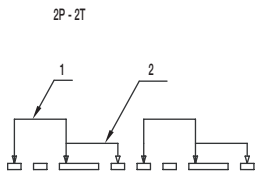
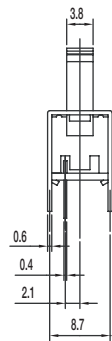
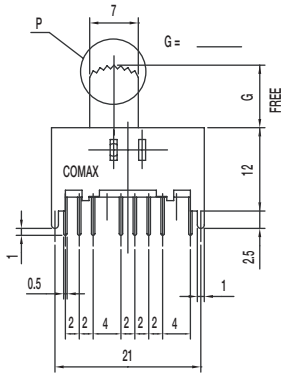
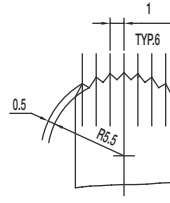
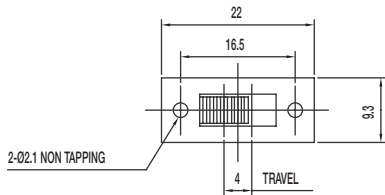
- KNOB: POM
- FRAME: SPCC
- CONTACT: Silver clad
- TERMINAL: Silver plated



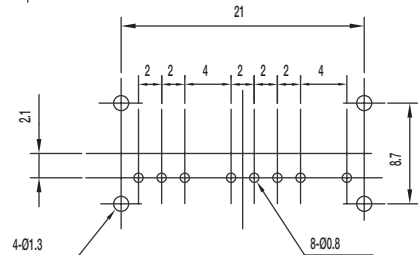
Slide

# SS Series Miniature Slide Switches

## SS-22H18-G DPDT NON-SHORTING



SCHEMATIC



PIERCING PLAN

### Specifications

- CONTACT RATING: 0.3A @ 30 VDC
- INITIAL CONTACT RESISTANCE: 30 m ohms max.
- INSULATION RESISTANCE: 100 M ohms min.
- DIELECTRIC STRENGTH: 500 V AC (50-60 Hz) between open terminals and between the frame and terminal.
- OPERATING LIFE: 10,000 cycles with load
- OPERATING FORCE: 200 ± 100 gf (1.96 ± 0.98N)
- TRAVEL: 4 ± 0.3 mm
- OPERATING TEMPERATURE: -10°C to 60°C

### Materials

- KNOB: POM
- FRAME: SPCC
- CONTACT: Silver clad
- TERMINAL: Silver plated

Slide

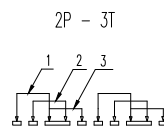
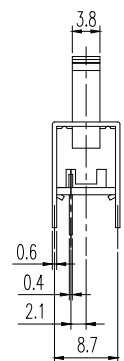
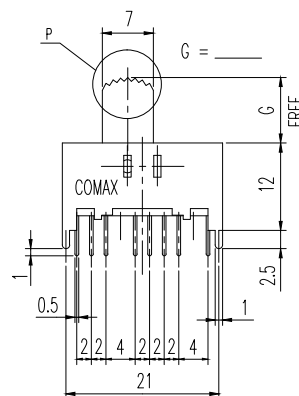
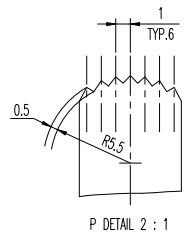
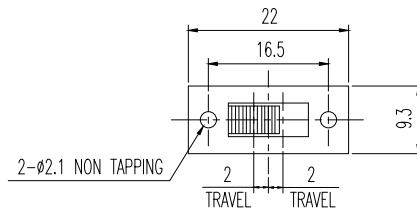
## SS-23D10-G 2P3T

### Specifications

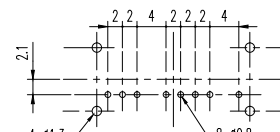
- CONTACT RATING: 0.3A @ 30 VDC
- INITIAL CONTACT RESISTANCE: 30 m ohms max.
- INSULATION RESISTANCE: 100 M ohms min.
- DIELECTRIC STRENGTH: 500 V AC (50-60 Hz) between open terminals and between the frame and terminal.
- OPERATING LIFE: 10,000 cycles with load
- OPERATING FORCE: 200 ± 100 gf (1.96 ± 0.98N)  
300 ± 150 gf (2.94 ± 1.47N)
- TRAVEL: 2 ± 0.3 mm
- OPERATING TEMPERATURE: -20°C to 70°C

### Materials

- KNOB: POM
- FRAME: SPCC
- CONTACT: Silver clad
- TERMINAL: Silver plated



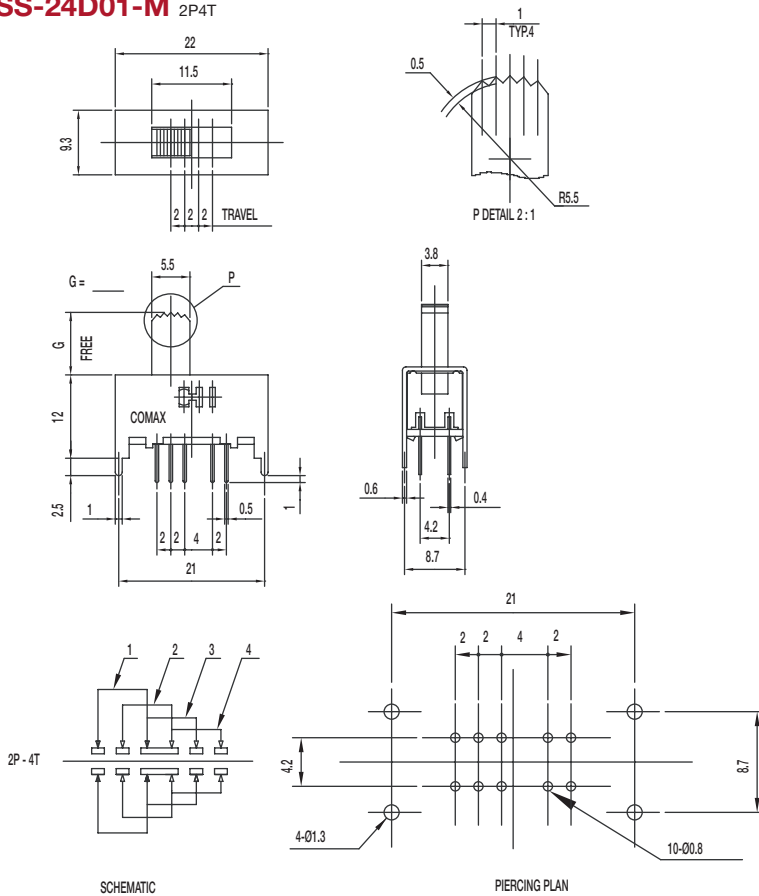
SCHEMATIC



PIERCING PLAN

# SS Series Miniature Slide Switches

## SS-24D01-M 2P4T



### Specifications

CONTACT RATING: 0.3A @ 30 VDC  
 INITIAL CONTACT RESISTANCE: 30 m ohms max.  
 INSULATION RESISTANCE: 100 M ohms min.  
 DIELECTRIC STRENGTH: 500 V AC (50-60 Hz) between open terminals and between the frame and terminal.  
 OPERATING LIFE: 10,000 cycles with load  
 OPERATING FORCE: 200 ± 100 gf (1.96 ± 0.98N)  
 300 ± 100 gf (2.94 ± 0.98N); 450 ± 150 gf (4.41 ± 1.47N)  
 TRAVEL: 2 ± 0.3 mm  
 OPERATING TEMPERATURE: -20°C to 70°C

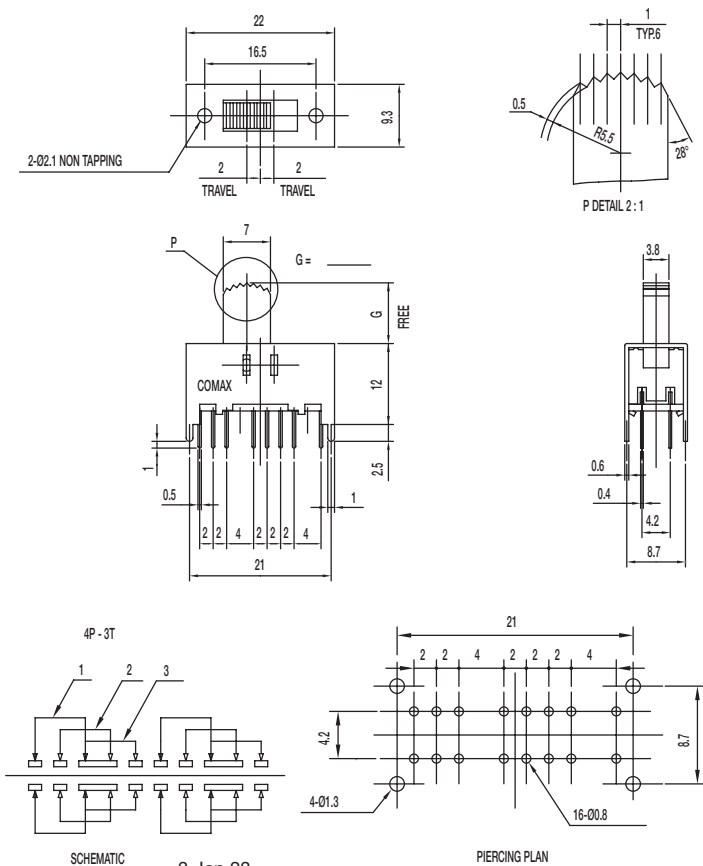
### Materials

KNOB: POM  
 FRAME: SPCC  
 CONTACT: Silver clad  
 TERMINAL: Silver plated



Slide

## SS-43D01-G 4P3T



### Specifications

CONTACT RATING: 0.3A @ 30 VDC  
 INITIAL CONTACT RESISTANCE: 30 m ohms max.  
 INSULATION RESISTANCE: 100 M ohms min.  
 DIELECTRIC STRENGTH: 500 V AC (50-60 Hz) between open terminals and between the frame and terminal.  
 OPERATING LIFE: 10,000 cycles with load  
 OPERATING FORCE: 200 ± 100 gf (1.96 ± 0.98N)  
 300 ± 150 gf (2.94 ± 1.47N)  
 TRAVEL: 2 ± 0.3 mm  
 OPERATING TEMPERATURE: -20°C to 70°C

### Materials

KNOB: POM  
 FRAME: SPCC  
 CONTACT: Silver clad  
 TERMINAL: Silver plated

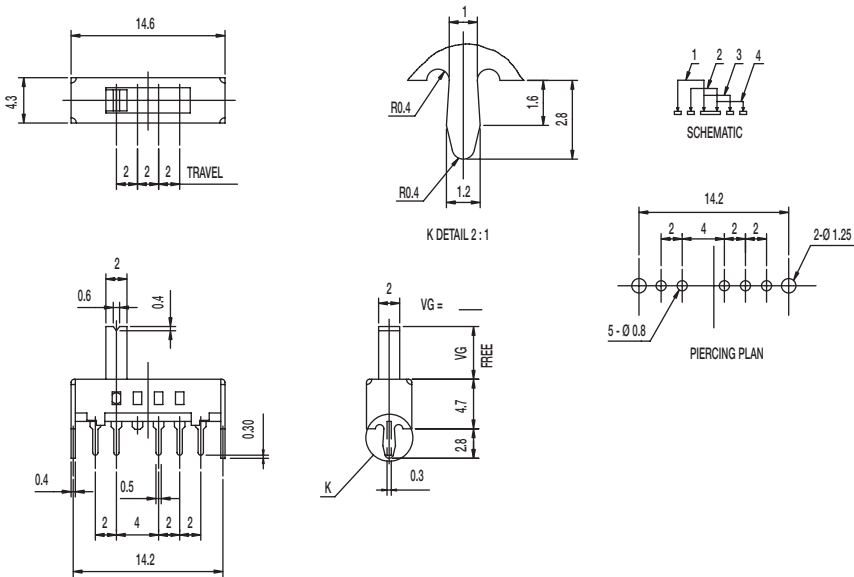
3 Jan 23

Dimensions are shown: Inches (mm)  
 Specifications and dimensions subject to change

# SS Series Miniature Slide Switches

SS-14D0839-VG 5 PA 1P4T

Slide



## Specifications

CONTACT RATING: 0.3A @ 30 VDC

INITIAL CONTACT RESISTANCE: 30 m ohms max.

INSULATION RESISTANCE: 100 M ohms min.

DIELECTRIC STRENGTH: 500 V AC (50-60 Hz) between open terminals and between the frame and terminal.

OPERATING LIFE: 10,000 cycles without load; 5,000 cycles with load

OPERATING FORCE: 250 ± 100 gf (2.45 ± 0.98N)

TRAVEL: 2 ± 0.3 mm

OPERATING TEMPERATURE: -20°C to 70°C

## Materials

KNOB: PA



FRAME: SPCC

CONTACT: Silver clad




TERMINAL: Silver plated

## Looking for pricing, stock, or lifecycle information?

Click below to explore more details on WIN SOURCE:

-  [View SS-22D0205-G 2 on WIN SOURCE](#)
-  [C&K Components Information](#)

## Optimize Your Supply Chain with WIN SOURCE Solutions

-  Global Sourcing Solution
-  Obsolete Management
-  Cost Control Management
-  Shortage Management
-  Alternative Solution
-  Excess Inventory Management