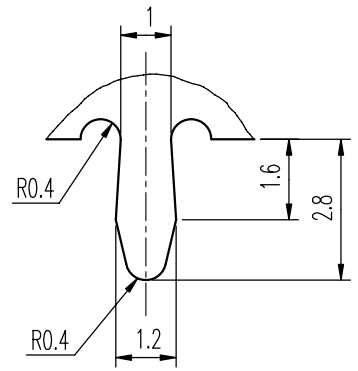
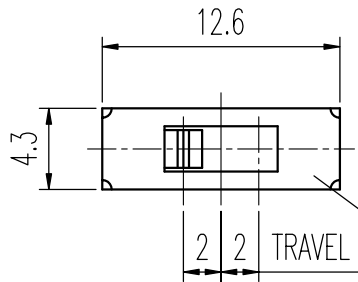




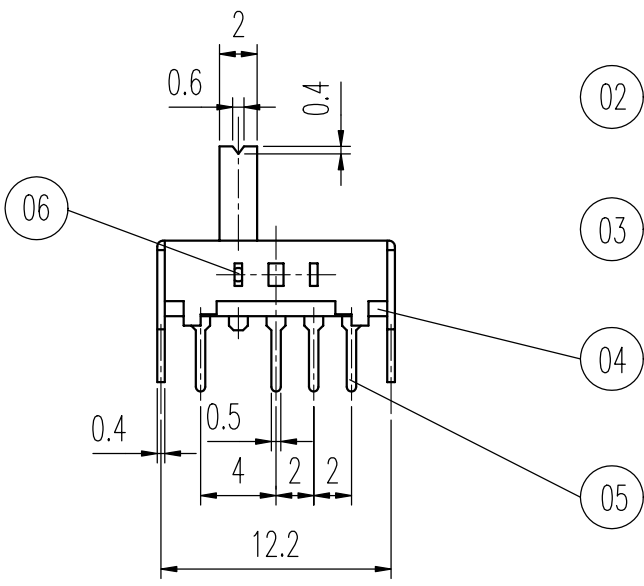
**THE DATASHEET OF
SS-13D16-VG 4 PA**





K位放大图2.7:1

01



02

03

04

05

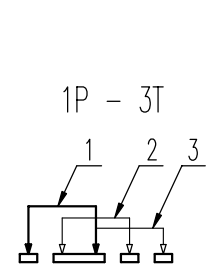
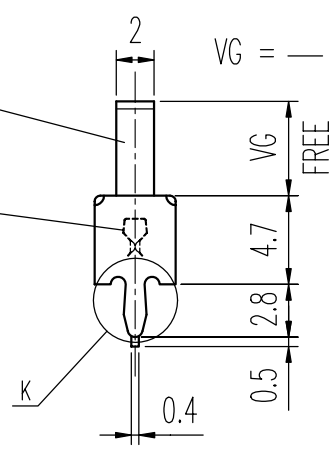
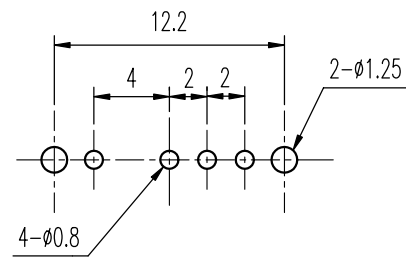


示意图 SCHEMATIC



安装孔 PIERCING PLAN

规格 Specifications

额定负荷 Ratings	DC 30 V 0.3 A
初期接触电阻 Initial Contact Resistance	30 mΩ Max.
绝缘电阻 Insulation Resistance	DC 500 V 60 Sec. 100 MΩ Min.
抗电强度 Dielectric Voltage	AC 500 V(50~60HZ) 60 Sec.

操作力 Operating Force (gf)	A → B	B → C
	C → B	B → A
负荷寿命 Operating Life With Load	200±100	250±100
	10,000 次 Cycles	

06	弹片 SPRING PLATE	C5210R	1	NATURAL
05	端子 TERMINAL	C2680R	4	Ag PLATED
04	基板 TERMINAL BASE	PHENOL RESIN	1	YELLOW
03	接触片 CONTACT CLIP	C5210R	1	Ag CLAD
02	胶柄 KNOB	PA	1	VG 2 - 8
01	铁壳 FRAME	SPCC	1	Sn PLATED
序NO.	零件 PART	材料 MATERIAL	数量 QTY	备注 REMARKS

标号 REV	内容 DESCRIPTION	签名 SIGN.	日期 DATE
DWG NO. ITEM3064			

TOLERANCES UNLESS OTHERWISE SPEC.		TITLE	SLIDE SWITCH		ITEM NO	SS-13D16-VG PA		
UNDER 1	± 0.10	DRAWN	张渠江	2009-3-20	VERSION	A01	PAGE	1 OF 1
1 - 10	± 0.30	REVIEWED	王光云	2009-3-20	SCALE		UNIT	mm
OVER 10	± 0.50	APPROVED	马建和	2009-3-20	PROJECTION			

COMAX 高铭电子(惠州)有限公司
Comax Electronics(Huizhou)Co.,Ltd.

Looking for pricing, stock, or lifecycle information?

Click below to explore more details on WIN SOURCE:

- ⊖ [View SS-13D16-VG 4 PA on WIN SOURCE](#)
- ⊖ [C&K Components Information](#)

Optimize Your Supply Chain with WIN SOURCE Solutions

- ✓ Global Sourcing Solution
- ✓ Obsolete Management
- ✓ Cost Control Management
- ✓ Shortage Management
- ✓ Alternative Solution
- ✓ Excess Inventory Management