



**THE DATASHEET OF  
PTS540JM035SMTRLFS**



# PTS540 Series Ultra Low Profile SMT Top Actuated

## Features/Benefits

- 3.7 x 3.7 mm footprint
- 0.35 mm thickness
- High number of cycles

## Typical Applications

- MP3 accessories
- Bluetooth headset
- Remote controls



## Specifications

FUNCTION: momentary action  
CONTACT ARRANGEMENT: 1 make contact = SPST N.O.  
TERMINALS: J type for SMT  
TRAVEL: 0.15 mm ± 0.1 mm

## Mechanical

Part Number	Operating Force (gf)	Operating Life (operations)
PTS540 JM035 SMTR LFS	160 ± 50	500,000
PTS540 JK035 SMTR LFS	230 ± 50	300,000

## Packaging

Switches in reels of 10,000 pieces.  
Dimensions of reels according to EIA 481B  
External diameter 330 mm

## Electrical

MAXIMUM VOLTAGE: 12 VDC  
MAXIMUM CURRENT DC: 50 mA  
DIELECTRIC STRENGTH: 250 VA C (1mn)  
CONTACT RESISTANCE: ≤ 100 mΩ  
INSULATION RESISTANCE: ≥ 100 MΩ  
BOUNCE TIME: ≤ 10 ms

## Environmental

OPERATING TEMPERATURE: -30°C to 85°C

## Process

SOLDERING: This component is suited to the following methods:  
Infrared Reflow Soldering in accordance with IEC61760-1

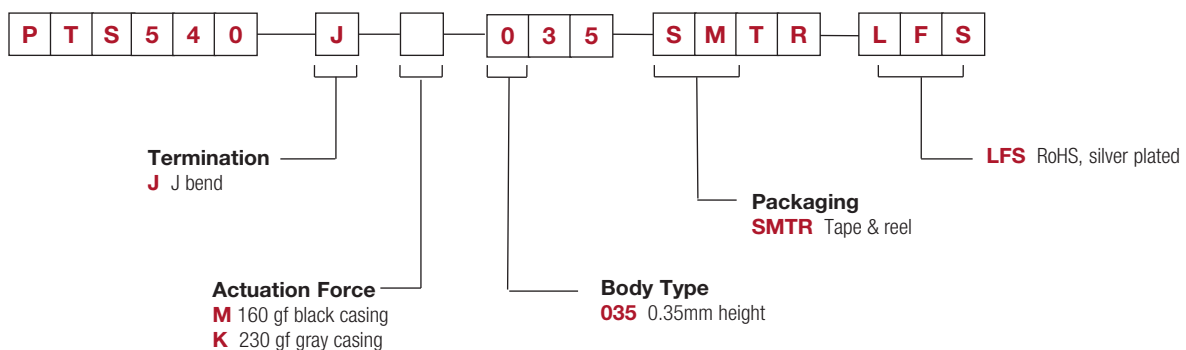
## NOTE:

- Specifications listed above are for switches with standard options. For information on specific and custom switches, consult Customer Service Center.
- The PTS series is not certified for using in Automotive application and no PPAP. However, in the case of some automotive accessories and specific applications for 2 and 3 wheeled vehicles the PTS is widely used and very suitable. Please contact your local C&K representative to discuss your application and the best switch solution.

## How To Order

Our easy build-a-switch concept allows you to mix and match options to create the switch you need. To order, select desired option from each category and place it in the appropriate box.

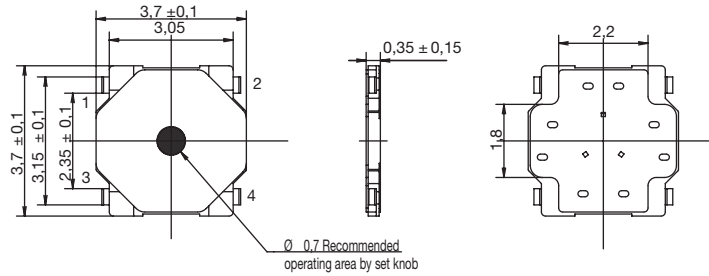
For any part number different from those listed above, please consult your local representative.



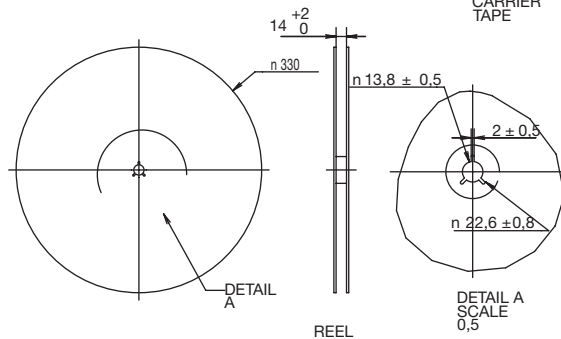
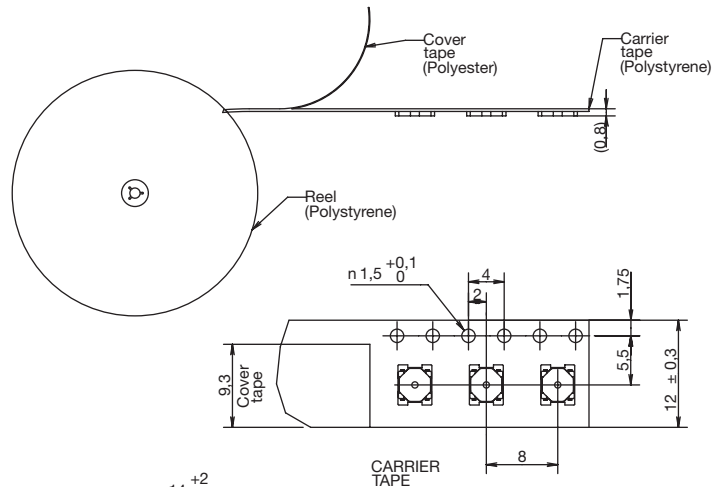
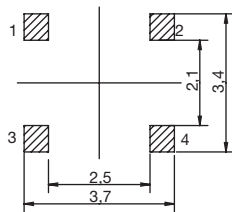
# PTS540 Series Ultra Low Profile SMT Top Actuated

PTS540

Tactile Switches



RECOMMENDED PCB



## Looking for pricing, stock, or lifecycle information?

Click below to explore more details on WIN SOURCE:

- ⊖ [View PTS540JM035SMTRLFS on WIN SOURCE](#)
- ⊖ [C&K Components Information](#)

## Optimize Your Supply Chain with WIN SOURCE Solutions

- ✓ Global Sourcing Solution
- ✓ Obsolete Management
- ✓ Cost Control Management
- ✓ Shortage Management
- ✓ Alternative Solution
- ✓ Excess Inventory Management