



THE DATASHEET OF

S560-6600-HW-F

www.win-source.net



0086-755-83957316

ADSL MAGNETICS

S560-6600-HW

ELECTRICAL CHARACTERISTICS (@25°C)

NOMINAL TURNS RATIO:

(8-6) : (1-4) 1 : 0.9

CONNECT TERMINALS 2 TO 3 & 5 TO 7

DC RESISTANCE:

(1-4) 1.5 Ω MAX

(8-6) 1.6 Ω MAX

CONNECT TERMINALS 2 TO 3 & 5 TO 7

INDUCTANCE @ 10 kHz, 0.1 Vrms:

(1-4) 1 mH ±6.7%

CONNECT TERMINALS 2 TO 3

LEAKAGE INDUCTANCE:

(1-4) 6 μH MIN - 10μH MAX

CONNECT TERMINALS 2 TO 3 & 5 TO 7

SHORT TERMINALS 5, 6, 7, & 8

DIRECT CAPACITANCE:

BETWEEN (1-4) & (8-6) 20 pF MAX

CONNECT TERMINALS 2 TO 3 & 5 TO 7

TOTAL HARMONIC DISTORTION

12 Vpp, 150kHz, 100Ω LINE AND 123.5Ω LOAD.

-85 dB MAX

MINIMUM DIELECTRIC RATING:

BETWEEN (1-4) & (8-6) 1875 VAC

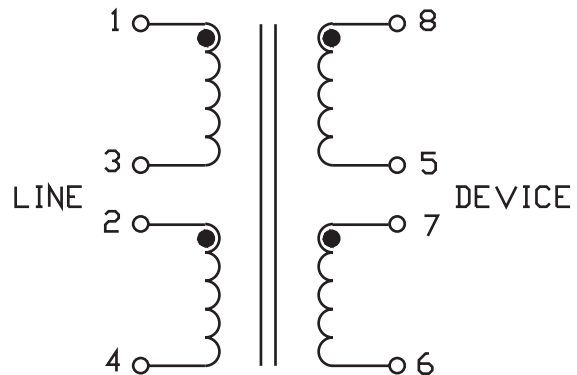
CONNECT TERMINALS 2 TO 3 & 5 TO 7

DESIGNED TO COMPLY WITH UL1950 AND EN60950
BASIC WITH 250 VAC WORKING VOLTAGE.

OPERATING TEMPERATURE RANGE:

-40°C TO +85°C

SCHEMATIC

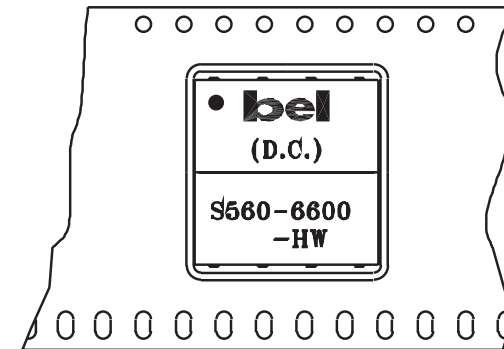
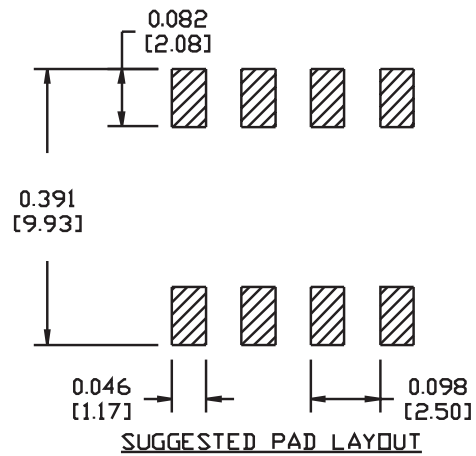
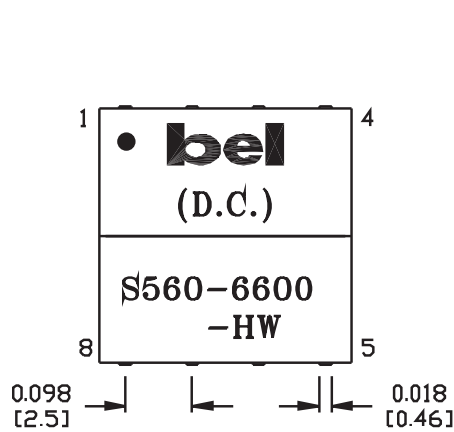


LONGITUDINAL BALANCE: 45 dB
20kHz - 1.1 MHz



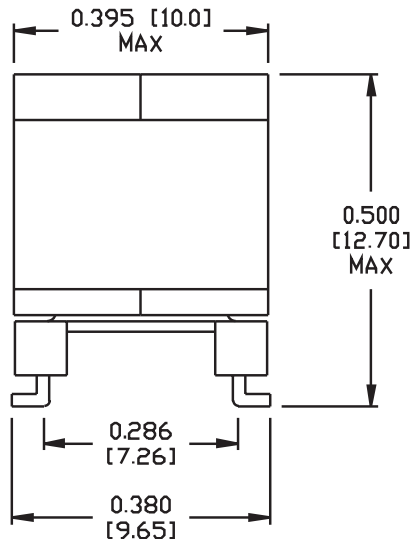
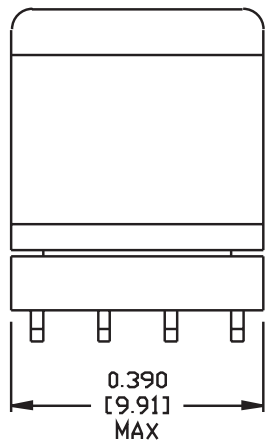
ADSL MAGNETICS

S560-6600-HW



➔ USER FEED DIRECTION

ORIENTATION OF COMPONENT INSIDE POCKET



TAPE WIDTH	24MM
POCKET PITCH	20MM
QUANTITY OF COMPONENTS PER REEL	200
PLASTIC REEL OUTER DIAMETER	13 INCHES
PLASTIC REEL HUB DIAMETER	4 INCHES

Looking for pricing, stock, or lifecycle information?

Click below to explore more details on WIN SOURCE:

 [View S560-6600-HW-F on WIN SOURCE](#)

 [Bel Fuse Inc. Information](#)

Optimize Your Supply Chain with WIN SOURCE Solutions

-  Global Sourcing Solution
-  Obsolete Management
-  Cost Control Management
-  Shortage Management
-  Alternative Solution
-  Excess Inventory Management