

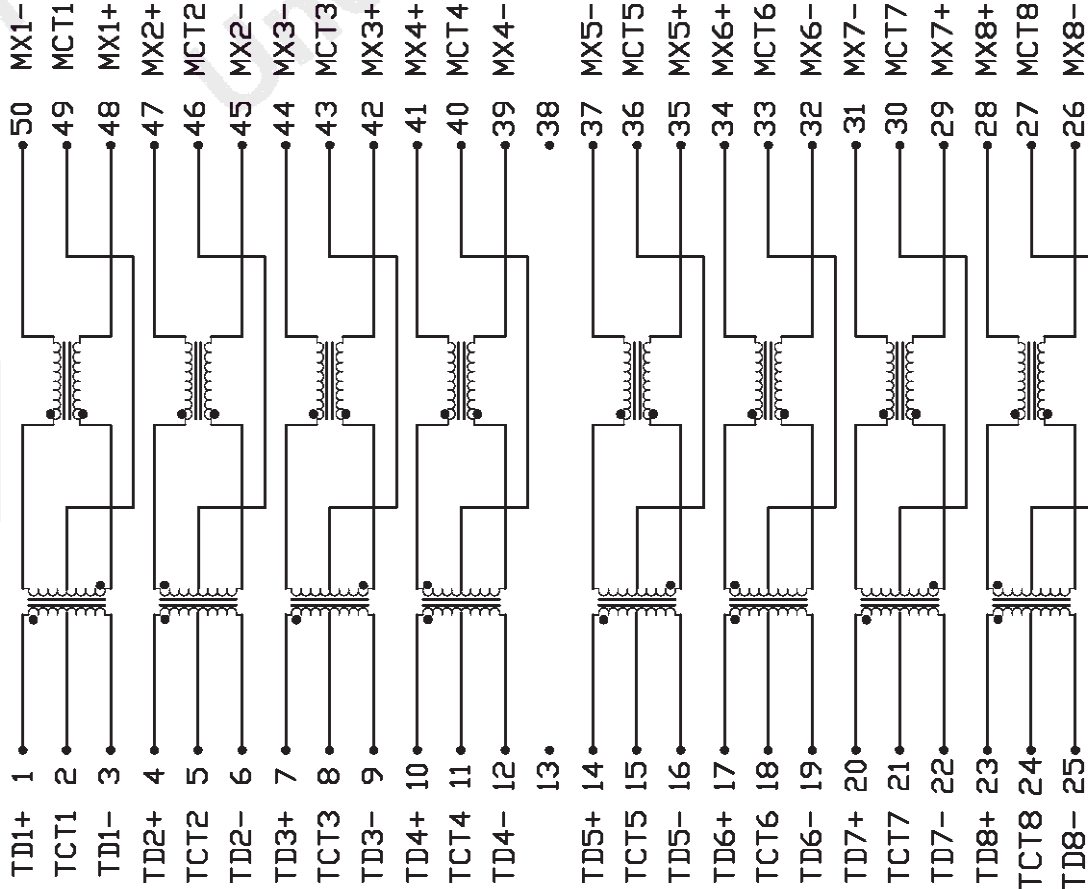


**THE DATASHEET OF
S558-5999-CJ**



THE INFORMATION CONTAINED HEREIN IS CONSIDERED "PROPRIETARY" TO BEL FUSE INC. AND SHALL NOT BE COPIED, REPRODUCED OR DISCLOSED WITHOUT THE WRITTEN APPROVAL OF BEL FUSE INC.

SCHEMATIC



ELECTRICAL CHARACTERISTICS

1CT TURNS RATIO 1CT

PE POLARITY PE

35 DCL 35

-40°C TO +85°C WIT 35

PINK(1-3), (4-6), (7-9), (10-12)

PINK(14-16), (17-19), (20-22)

1.0 INSERTION LOSS 1.0

RETURN LOSS

MEASURED UNDER

100Ω ENVIRONMENT

40 DIFFERENTIAL TO COMMON

35 MODE REJECTION

30

40 CROSSTALK

33

28

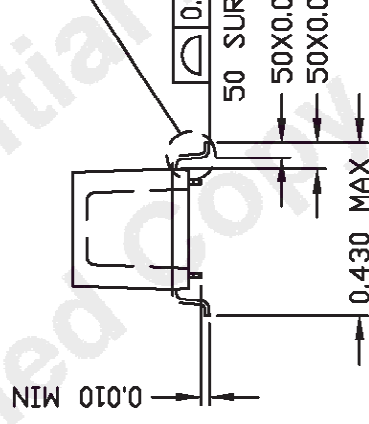
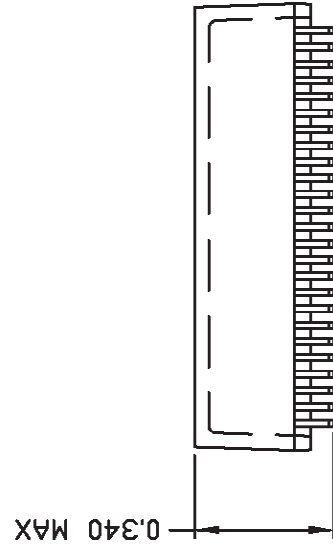
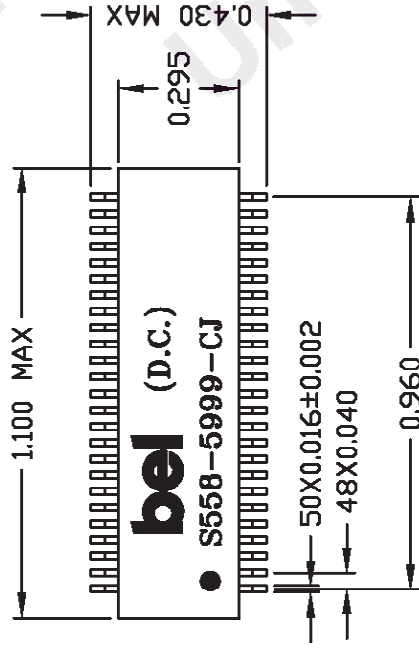
150 HIPOT

ORIGINATED BY	DATE	TITLE	PART NO. / DRAWING NO.	STANDARD DIM.	UNIT
Alice Pang	2015-11-27	ELECTRICAL SPECIFICATION	S558-5999-CJ	TOL. IN INCH	
DRAWN BY	DATE		FILE NAME	.X	
ZC Guo	2015-11-27		S5585999CJB.DWG	.XX	
				.XXX	

DC002(2)120214

This document is electronically generated. This is a controlled copy if used

THE INFORMATION CONTAINED HEREIN IS CONSIDERED "PROPRIETARY" TO BEL FUSE INC. AND SHALL NOT BE COPIED, REPRODUCED OR DISCLOSED WITHOUT THE WRITTEN APPROVAL OF BEL FUSE INC.



NOTES:

1. STANDARD MARKING REFER TO DDC. HAND-WORK-04.
2. PACKAGE CODE: "RUS001".



ORIGINATED BY	DATE	TITLE	PART NO. / DRAWING NO.	STANDARD DIM.	[]
Lawrence Tsang	2015-11-27	MECHANICAL OUTLINE	S558-5999-CJ	TOL. IN INCH	UNIT
DRAWN BY	DATE		FILE NAME	.X	SCAL
ZC Guo	2015-11-27		S5585999CJB.DWG	.XX	
				.XXX	±0.005

This document is electronically generated. This is a controlled copy if used

DDC002(2)120214

Looking for pricing, stock, or lifecycle information?

Click below to explore more details on WIN SOURCE:

-  [View S558-5999-CJ on WIN SOURCE](#)
-  [Bel Fuse Inc. Information](#)

Optimize Your Supply Chain with WIN SOURCE Solutions

-  Global Sourcing Solution
-  Obsolete Management
-  Cost Control Management
-  Shortage Management
-  Alternative Solution
-  Excess Inventory Management