



**THE DATASHEET OF**  
**S558-10GB-05**



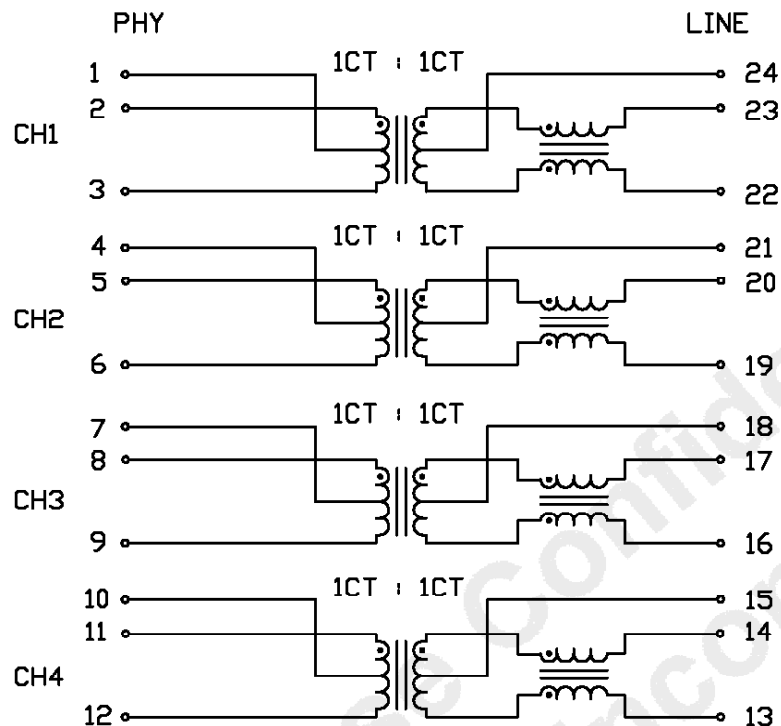
THE INFORMATION CONTAINED HEREIN IS CONSIDERED "PROPRIETARY" TO BEL FUSE INC. AND SHALL NOT BE COPIED, REPRODUCED OR DISCLOSED WITHOUT THE WRITTEN APPROVAL OF BEL FUSE INC.

RoHS



**ELECTRICAL SPECIFICATION @25°C**

**SCHEMATIC**



**TURNS RATIO**

(2-1-3) : (23-24-22) 1CT : 1CT  
 (5-4-6) : (20-21-19) 1CT : 1CT  
 (8-7-9) : (17-18-16) 1CT : 1CT  
 (11-10-12) : (14-15-13) 1CT : 1CT

**POLARITY**

CH1, CH2 2°&23°, 5°&20°  
 CH3, CH4 8°&17°, 11°&14°

**INDUCTANCE**

(2-3) = (5-6) = (8-9) = (11-12) 160µH MIN  
 @100kHz, 100mV

**INSERTION LOSS**

FREQ(MHz)	1	2-50	200	400	500
dB MAX	1.0	0.5	1.0	2.0	3.0

**RETURN LOSS**

FREQ(MHz)	1	2-100	200	400	500
dB MIN	22	25	22	11	8

**COMM. TO DIFF. MODE REJECTION**

FREQ(MHz)	50	100	200	300	400	500
dB TYP	48	42	36	33	30	28

**DIFF. TO COMM. MODE REJECTION**

FREQ(MHz)	50	100	200	300	400	500
dB TYP	30	27	24	22	21	20

**HIPOT**

LEAKAGE CURRENT LESS THAN 1mA AT 2250VDC

ORIGINATED BY	DATE
Alice Pang	2020-06-29
DRAWN BY	DATE
ZC Guo	2020-06-29

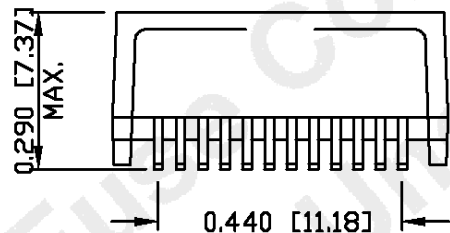
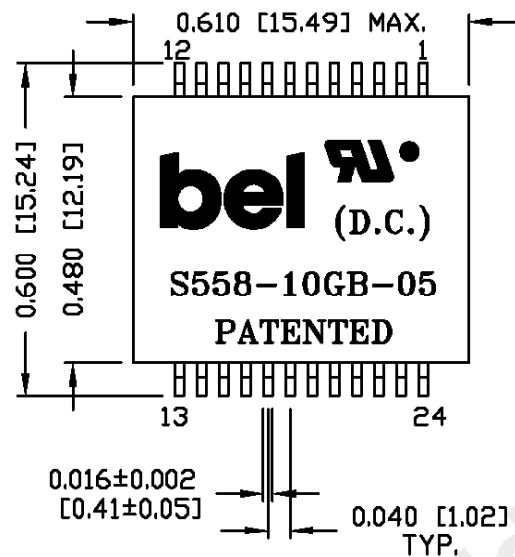
TITLE
ELECTRICAL SPECIFICATION

PART NO. / DRAWING NO.
S558-10GB-05
FILE NAME
S55810GB05E.DWG

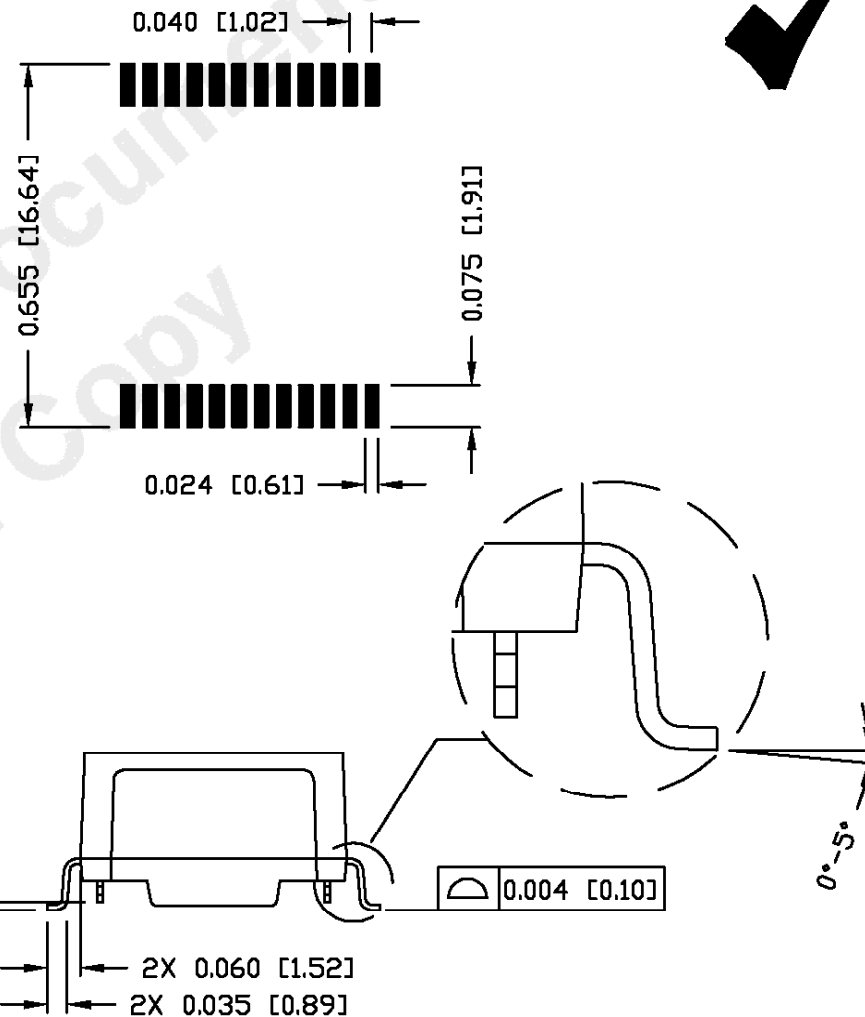
STANDARD DIM.	[ ] METRIC DIM. AS REF.
TOL. IN INCH	UNIT : INCH [mm]
.X	SCALE : N/A
.XX	SIZE : A4
.XXX	

REV. : E	PAGE : 2

THE INFORMATION CONTAINED HEREIN IS CONSIDERED "PROPRIETARY" TO BEL FUSE INC. AND SHALL NOT BE COPIED, REPRODUCED OR DISCLOSED WITHOUT THE WRITTEN APPROVAL OF BEL FUSE INC.



SUGGESTED PCB PAD LAYOUT



NOTES:

- STANDARD MARKING REFER TO DOC. HAND-WORK-04.
- PACKAGE CODE: "QABS001A".
- PATENT NO : U.S. PAT. 7429195 ; 7924130

ORIGINATED BY	DATE
Lawrence Tsang	2016-01-25
DRAWN BY	DATE
ZC Guo	2016-01-25

TITLE
MECHANICAL SPECIFICATION

PART NO. / DRAWING NO.
S558-10GB-05
FILE NAME
S55810GB05C.DWG

STANDARD DIM.	[ ] METRIC DIM. AS REF.
TOL. IN INCH	UNIT : INCH [mm]
.X	SCALE : N/A
.XX ±0.01	SIZE : A4
.XXX ±0.005	

REV. : C	PAGE : 3
----------	----------



## Looking for pricing, stock, or lifecycle information?

Click below to explore more details on WIN SOURCE:

 [View S558-10GB-05 on WIN SOURCE](#)

 [Bel Fuse Inc. Information](#)

## Optimize Your Supply Chain with WIN SOURCE Solutions

-  Global Sourcing Solution
-  Obsolete Management
-  Cost Control Management
-  Shortage Management
-  Alternative Solution
-  Excess Inventory Management