

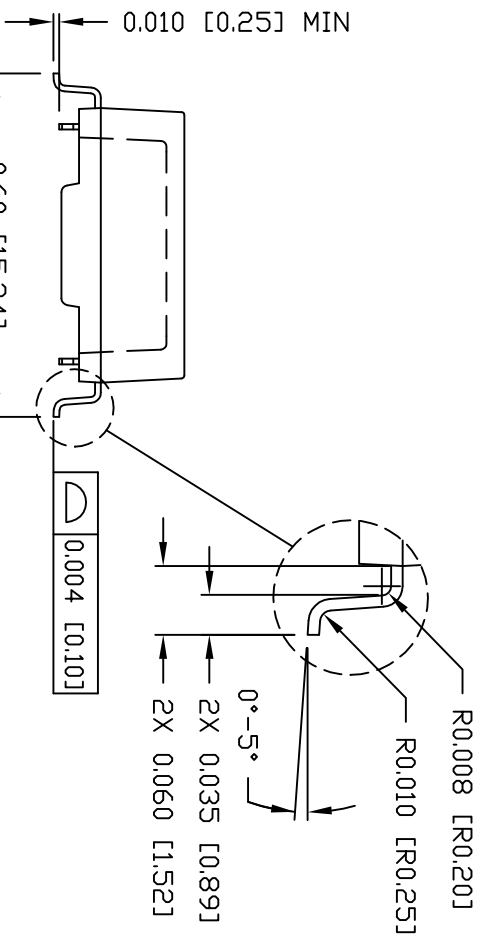
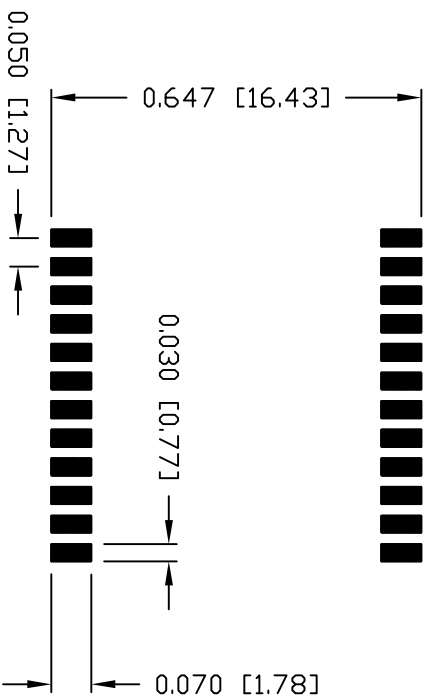
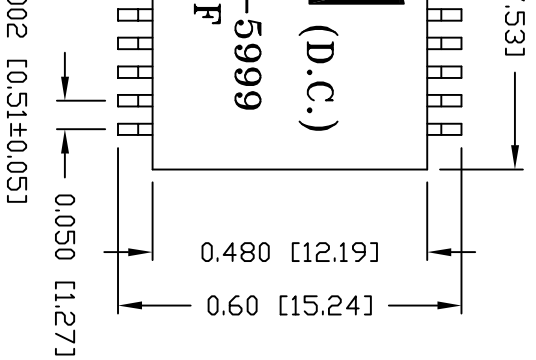


**THE DATASHEET OF
S558-5999-AR-F**





SUGGESTED PCB PAD LAYOUT



HAND-WORK-04.

MECHANICAL DRAWING
3-5999-AR-F

PART NO. / DRAWING NO.
S558-5999-AR-F
FILE NAME
S5585999ARFA.DWG

STANDARD DIM. [] METRIC DIM. AS REF.
TOL. IN INCH
X
XX
XXX

UNIT : INCH [mm]
SCALE : N/A
SIZE : A4



REV. : A PAGE : 3



This document is electronically generated. This is a controlled copy if used internally

Looking for pricing, stock, or lifecycle information?

Click below to explore more details on WIN SOURCE:

-  [View S558-5999-AR-F on WIN SOURCE](#)
-  [Bel Fuse Inc. Information](#)

Optimize Your Supply Chain with WIN SOURCE Solutions

-  Global Sourcing Solution
-  Obsolete Management
-  Cost Control Management
-  Shortage Management
-  Alternative Solution
-  Excess Inventory Management