



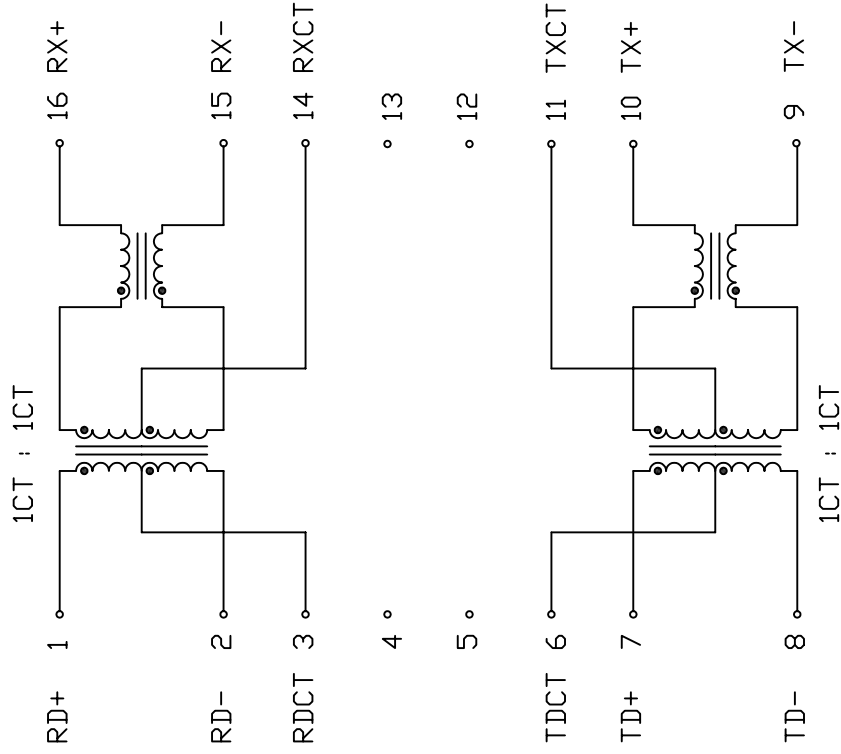
**THE DATASHEET OF
S558-5999-BD-F**



THE INFORMATION CONTAINED HEREIN IS CONSIDERED
 'PROPRIETARY' TO BEL FUSE INC. AND SHALL NOT BE
 COPIED, REPRODUCED OR DISCLOSED WITHOUT THE
 WRITTEN APPROVAL OF BEL FUSE INC.

ELECTRICAL SPECIFICATION

SCHEMATIC



URNS RATIO

<1-3-2> : <16-14-15>
 <7-6-8> : <10-11-9>

POLARITY

□CL
 <1-2> ; <7-8>

INSERTION LOSS

1-125MHz

RETURN LOSS

1-30MHz
 40-50MHz
 60MHz
 80MHz
 100MHz

CROSSTALK

5-10MHz
 100MHz

COMMON TO COMMON REJECTION

300kHz-155MHz

HIPOT

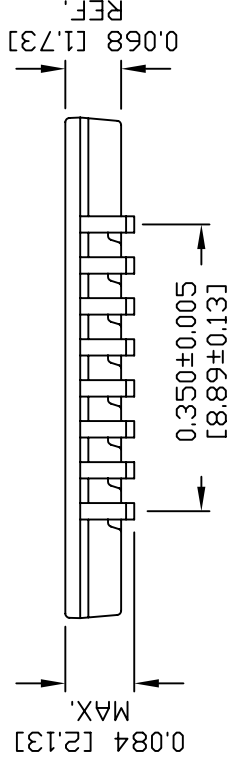
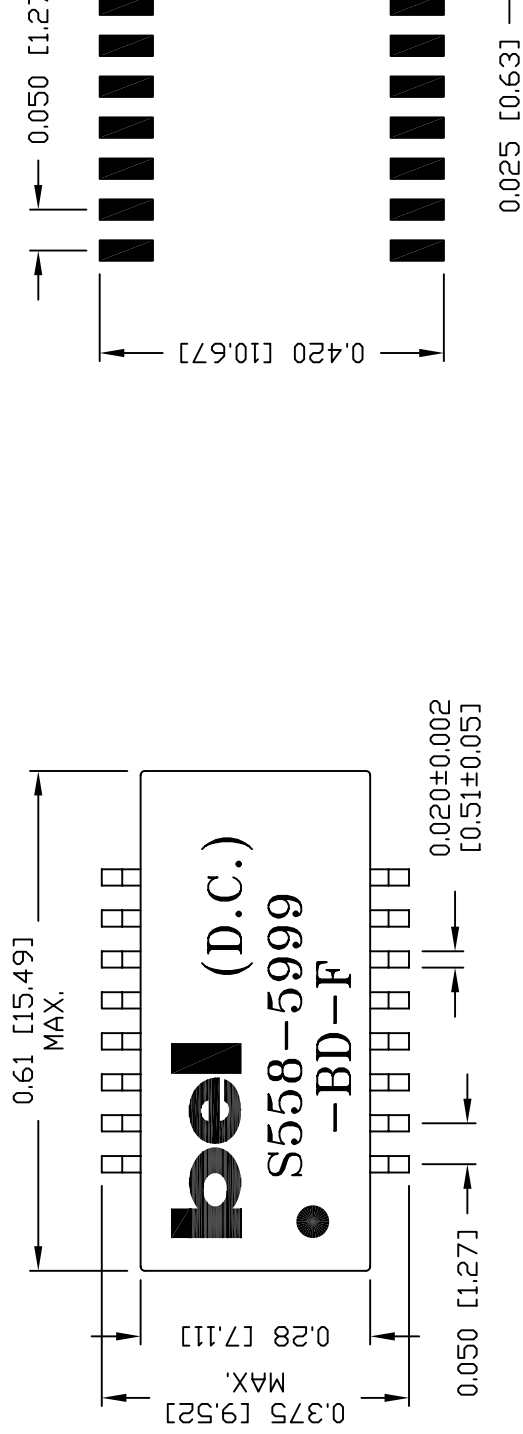
ORIGINATED BY	DATE	TITLE		PART NO. / DRAWING NO.	STANDARD DIM TOL. IN INCH
CHAN CH	03-20-09	ELECTRICAL SPECIFICATION S558-5999-BD-F		X5585999BD-F	.X
DRAWN BY	DATE			FILE NAME	.XX
YH Lai	03-20-09			X5585999BDF A.DWG	.XXX

DC002(2)032305

This document is electronically generated. This is a controlled copy if used.

THE INFORMATION CONTAINED HEREIN IS CONSIDERED "PROPRIETARY" TO BEL FUSE INC. AND SHALL NOT BE COPIED, REPRODUCED OR DISCLOSED WITHOUT THE WRITTEN APPROVAL OF BEL FUSE INC.

SUGGESTED PCB PAD



BETWEEN COMPONENTS AND INTERNAL LEADS TO SEATING PLANE WITH 0.002" MIN CLEARANCE

NOTES:

1. STANDARD MARKING REFER TO DOC. HAND-WORK-04.
2. PACKAGE CODE: "QZS001".



ORIGINATED BY	DATE	TITLE	PART NO. / DRAWING NO.	STANDARD DIM TOL. IN INCH
LAWRENCE TSANG	03-20-09	MECHANICAL OUTLINE S558-5999-BD-F	X5585999BD-F	.X
DRAWN BY	DATE		FILE NAME	.XX
YH Lai	03-20-09	X5585999BDF A.DWG		.XXX

DC002(2)032305

This document is electronically generated. This is a controlled copy if us

Looking for pricing, stock, or lifecycle information?

Click below to explore more details on WIN SOURCE:

-  [View S558-5999-BD-F on WIN SOURCE](#)
-  [Bel Fuse Inc. Information](#)

Optimize Your Supply Chain with WIN SOURCE Solutions

-  Global Sourcing Solution
-  Obsolete Management
-  Cost Control Management
-  Shortage Management
-  Alternative Solution
-  Excess Inventory Management