

WIN*SOURCE*
ELECTRONICS

THE DATASHEET OF
S558-10GB-15

www.win-source.net

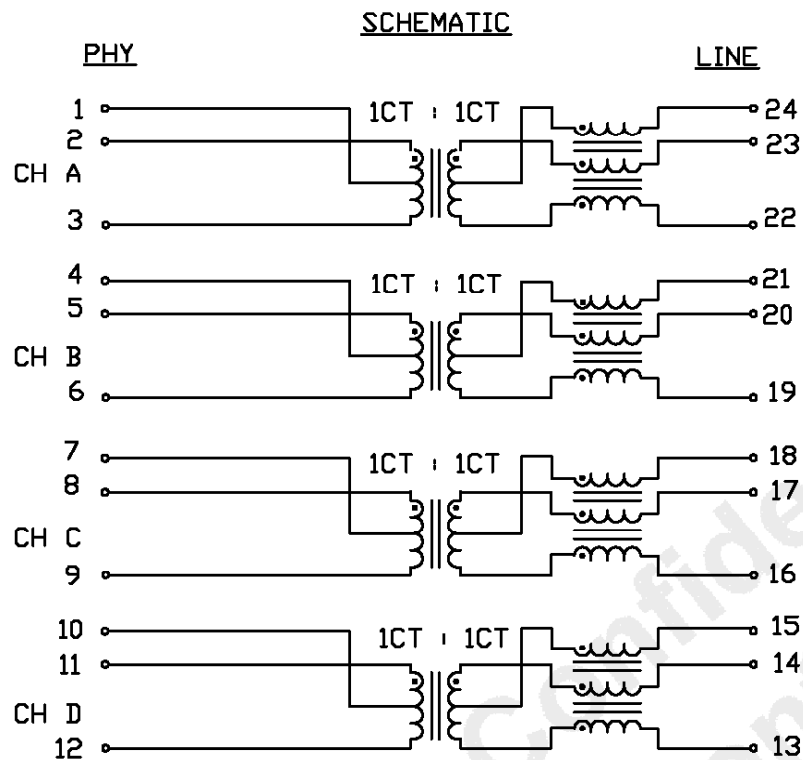


0086-755-83957316

THE INFORMATION CONTAINED HEREIN IS CONSIDERED "PROPRIETARY" TO BEL FUSE INC. AND SHALL NOT BE COPIED, REPRODUCED OR DISCLOSED WITHOUT THE WRITTEN APPROVAL OF BEL FUSE INC.

ELECTRICAL SPECIFICATION @25°C

RoHS



TURNS RATIO
 (2-1-3) : (23-24-22)
 (5-4-6) : (20-21-19)
 (8-7-9) : (17-18-16)
 (11-10-12) : (14-15-13)

1CT : 1CT
 1CT : 1CT
 1CT : 1CT
 1CT : 1CT

POLARITY

PER DOT CONVENTION

DCL
 @100kHz, 100mV, 19mA DC BIAS

120uH MIN

HIPOT

LEAKAGE CURRENT LESS THAN 1mA AT 2250VDC

INSERTION LOSS

FREQ(MHz)	1	2-300	400	500
MAX (dB)	0.3	1.0	1.5	2.0

RETURN LOSS
 (100 OHM LINESIDE LOAD)

FREQ(MHz)	1	2-100	200	500	600
MIN (dB)	18	20	15	12	9

COMM. TO DIFF. MODE REJECTION

FREQ(MHz)	50	100	200	300	400	500
MAX (dB)	48	42	36	33	30	28

DIFF. TO COMM. MODE REJECTION

FREQ(MHz)	50	100	200	300	400	500
MAX (dB)	30	27	24	22	21	20

BALANCED DC LINE CURRENT: 600mA NOMINAL CONTINUOUS
 720mA MAXIMUM CONTINUOUS
 1.2A MAXIMUM FOR 200mS

TEMPERATURE RANGE: 0 TO 70C

DESIGNED FOR 10G PoE APPLICATIONS

* INTERNAL USE ONLY

REV. : E PAGE : 2

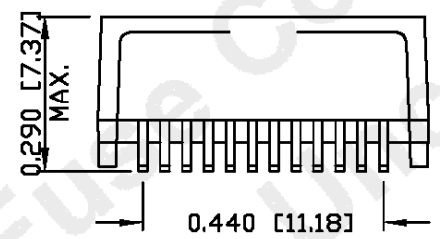
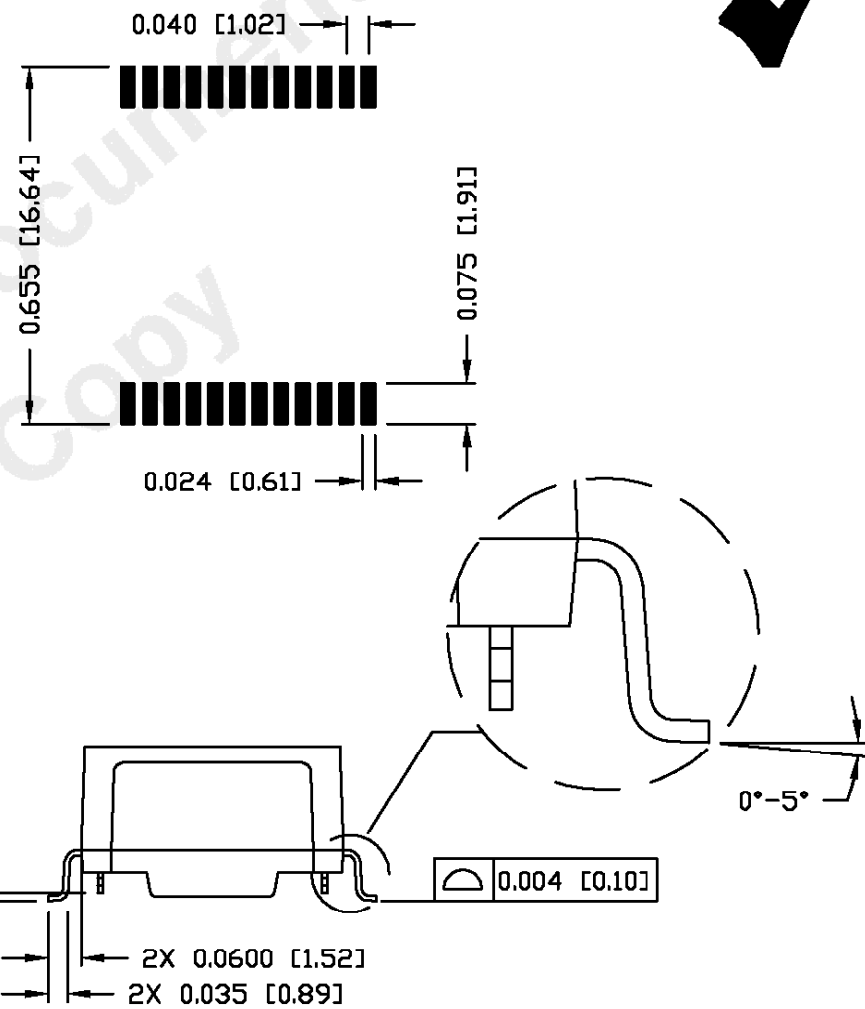
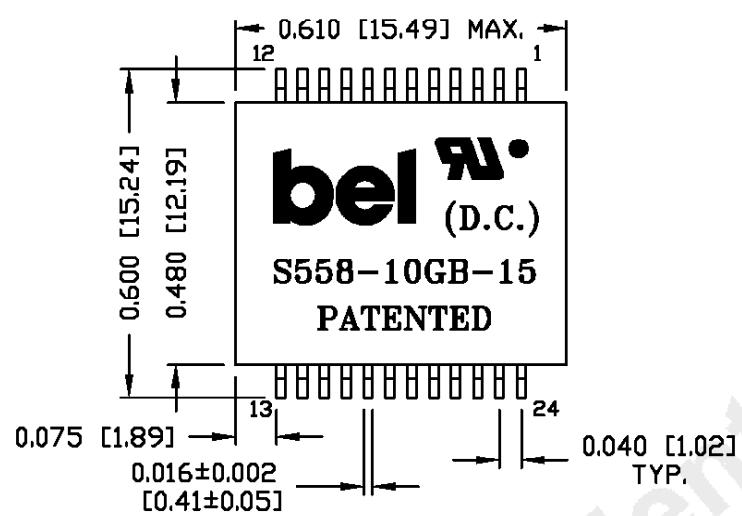
ORIGINATED BY Alice Pang	DATE 2020-06-29	TITLE ELECTRICAL SPECIFICATION	PART NO. / DRAWING NO. S558-10GB-15	STANDARD DIM. TOL. IN INCH	[] METRIC DIM. AS REF.
DRAWN BY ZC Guo	DATE 2020-06-29		FILE NAME S55810GB15E.DWG	.X .XX .XXX	UNTT : INCH [mm] SCALE : N/A
					SIZE : A4



THE INFORMATION CONTAINED HEREIN IS CONSIDERED "PROPRIETARY" TO BEL FUSE INC. AND SHALL NOT BE COPIED, REPRODUCED OR DISCLOSED WITHOUT THE WRITTEN APPROVAL OF BEL FUSE INC.



SUGGESTED PCB PAD LAYOUT



NOTES:

- STANDARD MARKING REFER TO DDC. HAND-WORK-04.
- PACKAGE CODE: 'QABS001'.

ORIGINATED BY Lawrence Tsang	DATE 2016-12-07	TITLE MECHANICAL SPECIFICATION	PART NO. / DRAWING NO. S558-10GB-15	STANDARD DIM. [] METRIC DIM. AS REF.	REV. : A	PAGE : 3
DRAWN BY ZC Guo	DATE 2016-12-07		FILE NAME S55810GB15A.DWG	TOL. IN INCH .X / .XX ±0.01 / .XXX ±0.005	UNT : INCH [mm] SCALE : N/A	 POWER PROTECT CONNECT
					SIZE : A4	

Looking for pricing, stock, or lifecycle information?

Click below to explore more details on WIN SOURCE:

 [View S558-10GB-15 on WIN SOURCE](#)

 [Bel Fuse Inc. Information](#)

Optimize Your Supply Chain with WIN SOURCE Solutions

-  Global Sourcing Solution
-  Obsolete Management
-  Cost Control Management
-  Shortage Management
-  Alternative Solution
-  Excess Inventory Management