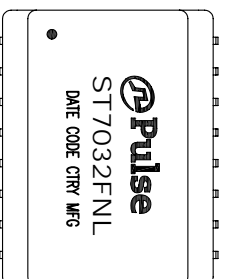




THE DATASHEET OF ST7032FNLT





ILITY

) +125°C

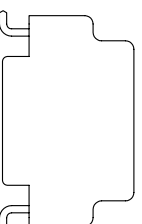
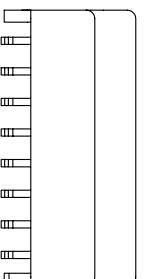
ITY AT 245°C REFLOW PROFILE

O MOISTURE SENSITIVE

MAXIMUM THROUGH REFLOW SOLDER

NG ADD A "T" SUFFIX

FNLT BECOMES ST7032FNLT).



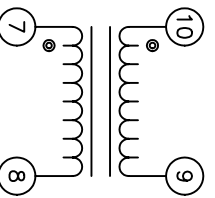
FINAL OUTLINE

All rights reserved. Pulse confidential & proprietary. (06/11/14)

ITLA DRAWING	PS DRAWING	SHEET	PART NO.	DATASHEET REV.
ST7032FNLT-10	PS-2755.001-A	1 OF 3	ST7032FNLT	A

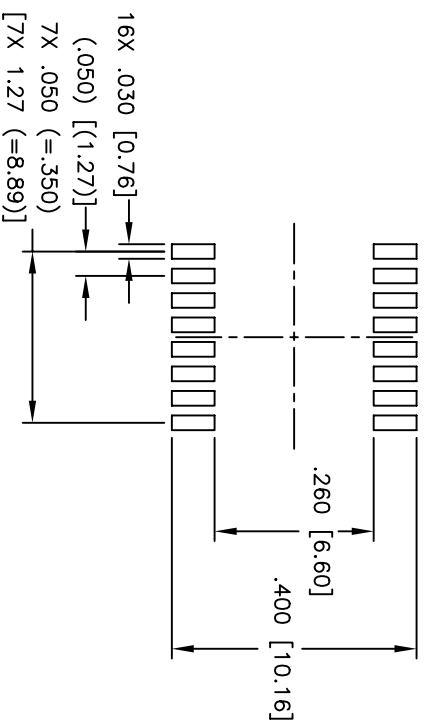
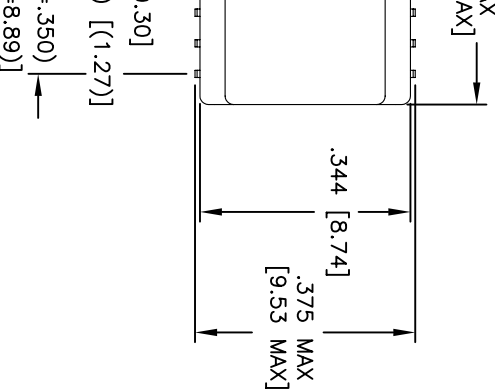
ELECTRICAL CHARACTERISTICS AT +25°C UNLESS OTHER SPECIFIED

PARAMETER	SPECIFICATIONS
OPERATING TEMPERATURE	0°C ~ +70°C
POLARITY	PER SCHEMATIC
TURNS RATIO	1 : 1 ± 5%
INDUCTANCE (OCL)	67 uH MIN (AT 5 mVRMS, 10 KHZ)
CAPACITANCE WINDING TO WINDING	10 pF MAX (AT 140 KHZ)
DC RESISTANCE (EACH WINDING)	0.3 OHMS MAX
LEAKAGE INDUCTANCE	0.25 uH MAX AT 1 MHZ MIN.
INPUT – OUTPUT ISOLATION	1500 VRMS FOR 60 SECONDS

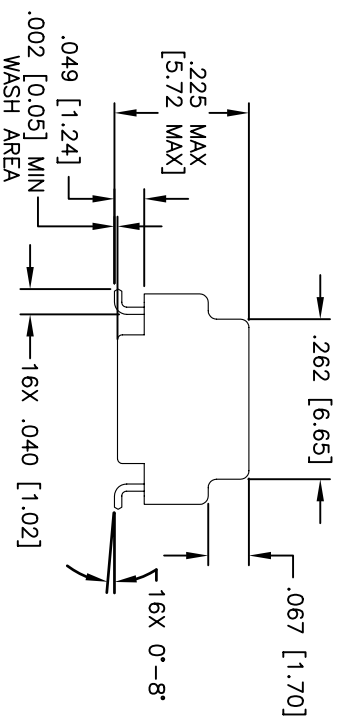
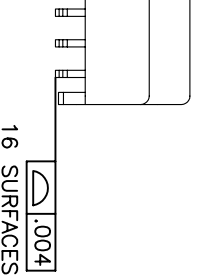


All rights reserved. Pulse confidential & proprietary. (06/11/14)

ITLA DRAWING	PS DRAWING	SHEET	PART NO.	DATASHEET REV.
ST7032FNL-10	PS-2755.001-A	2 OF 3	ST7032FNL	A



SUGGESTED LAND PATTERN



WITH THE FOLLOWING REFERENCE ONLY.



All rights reserved. Pulse confidential & proprietary. (06/11/14)

ITLA DRAWING	PS DRAWING	SHEET	PART NO.	DATASHEET REV.
ST7032FNL-10	PS-2755.001-A	3 OF 3	ST7032FNL	A

SFFI ELECTRONICS.COM(Asia) PHONE:USA:858 674 8100. GERMANY:49 7032 78060. SINGAPORE:65 6287 8998. SHANGHAI:86 21 62787060. TAIWAN:886 3 4356768

Looking for pricing, stock, or lifecycle information?

Click below to explore more details on WIN SOURCE:

-  [View ST7032FNLT on WIN SOURCE](#)
-  [Pulse Information](#)

Optimize Your Supply Chain with WIN SOURCE Solutions

-  Global Sourcing Solution
-  Obsolete Management
-  Cost Control Management
-  Shortage Management
-  Alternative Solution
-  Excess Inventory Management