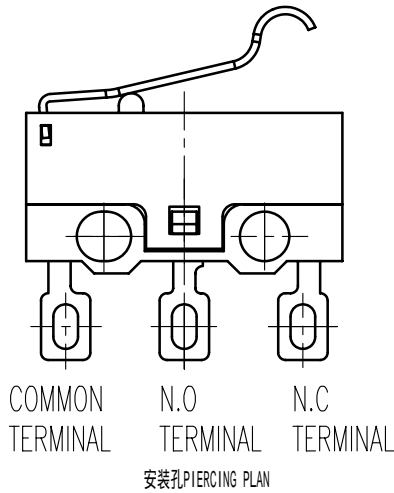
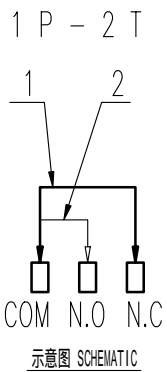
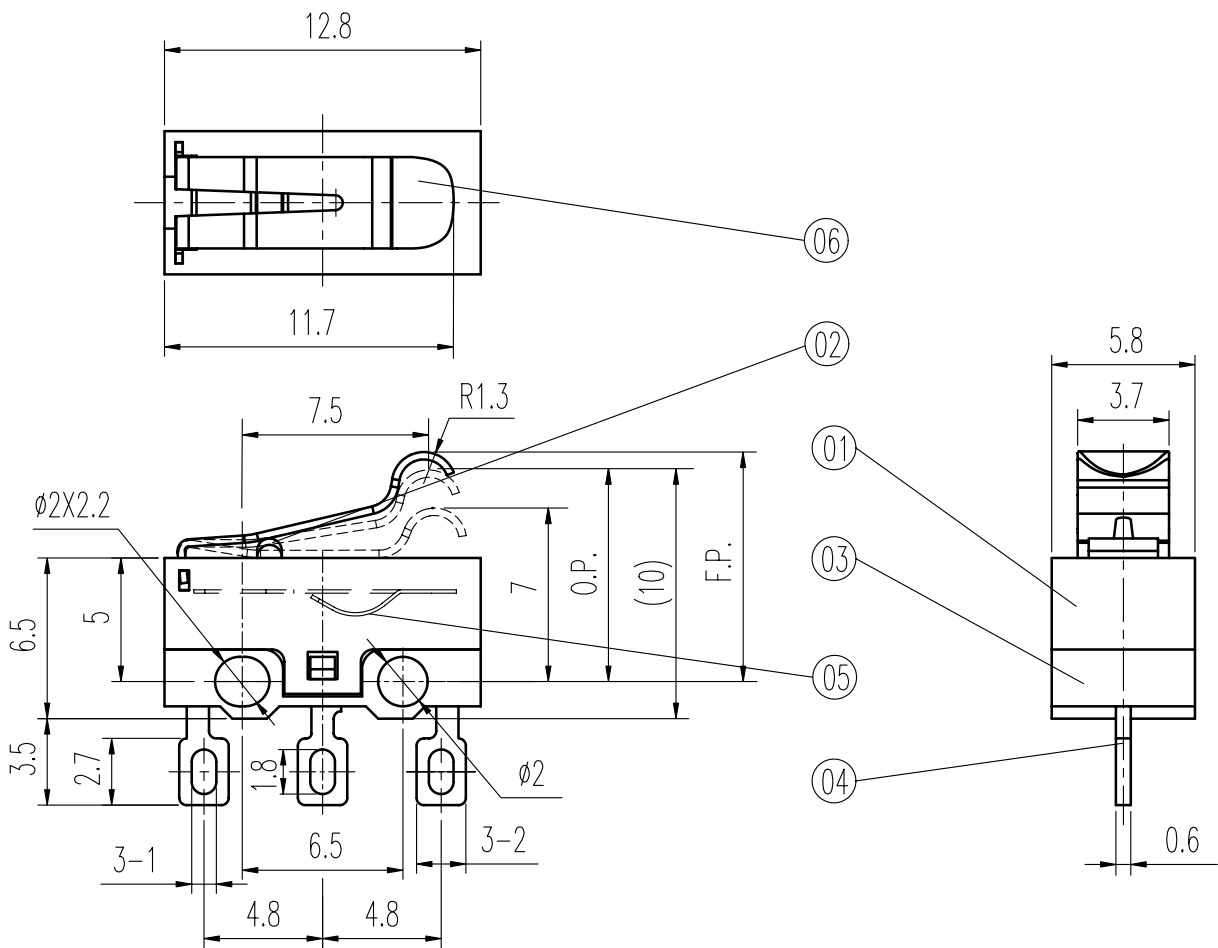




**THE DATASHEET OF
MS-118405-H**





规格 Specifications

额定负荷 Ratings	DC 30_V 0.1_A
初期接触电阻 Initial Contact Resistance	50_mΩ Max.
绝缘电阻 Insulation Resistance	DC 500V_60_Sec. 100_MΩ Min.
抗电强度 Dielectric Voltage	AC 1000_V(50~60HZ) 60_Sec.
操作力 Operating Force (O.F.)	25±15_gf
回复力 Releasing Force(R.F.)	5_gf Min.
自由位置 Free Position(F.P.)	9.50_mm Max.
动作位置 Operating Position (O.P.)	8.50±0.80_mm
过行程 Over Travel(O.T.)	0.50_mm Min.
差程 Movement Differential Travel(D.T.)	0.50_mm Max.
机械寿命 Operating Life Without Load	500,000_Cycles
负荷寿命 Operating Life With Load	50,000_Cycles

06	杠杆 LEVER	SUS	1	NATURAL				
05	弹片 SPRING PLATE	C1720	1	Ag PLATED				
04	端子 TERMINAL	C2680R	3	Ag PLATED				
03	胶壳 HOUSING	PBT	1	BLACK C				
02	胶柄 KNOB	PBT	1	RED				
01	胶盖 COVER	PBT	1	BLACK C	标号REV	内容 DESCRIPTION	签名SIGN.	日期DATE
序NO.	零件 PART	材料 MATERIAL	数量 QTY	备注 REMARKS	DWG NO. ITEM3109			

TOLERANCES UNLESS OTHERWISE SPEC.		TITLE	MICRO SWITCH		ITEM NO	MS-118405-H		
UNDER 1	± 0.10	DRAWN	张渠江	2009-12-2	VERSION	A01	PAGE 1	OF 1
1 - 10	± 0.30	REVIEWED	王光云	2009-12-2	SCALE		UNIT	mm
OVER 10	± 0.50	APPROVED	马建和	2009-12-2	PROJECTION			

COMAX

高铭电子(惠州)有限公司
Comax Electronics(Huizhou)Co.,Ltd.

Looking for pricing, stock, or lifecycle information?

Click below to explore more details on WIN SOURCE:

- ⊖ [View MS-118405-H on WIN SOURCE](#)
- ⊖ [C&K Components Information](#)

Optimize Your Supply Chain with WIN SOURCE Solutions

- ✓ Global Sourcing Solution
- ✓ Obsolete Management
- ✓ Cost Control Management
- ✓ Shortage Management
- ✓ Alternative Solution
- ✓ Excess Inventory Management