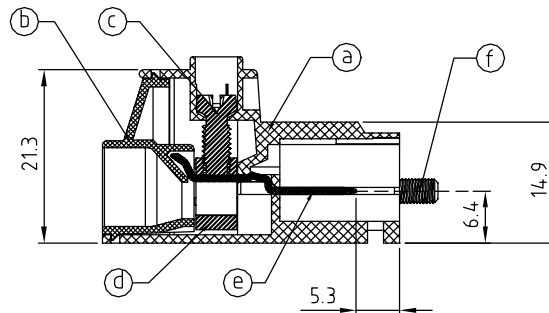
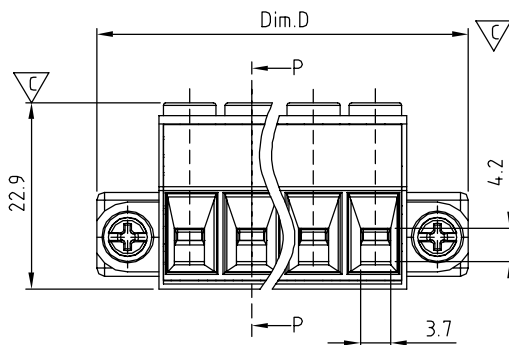
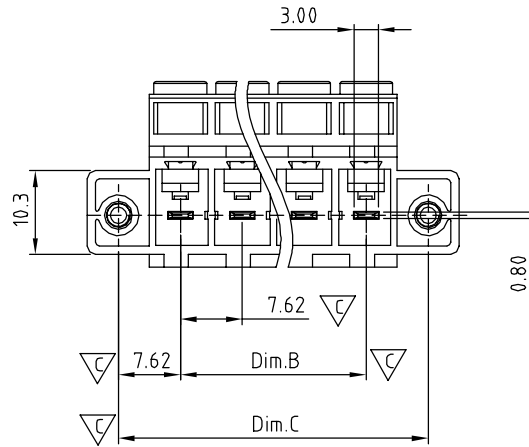
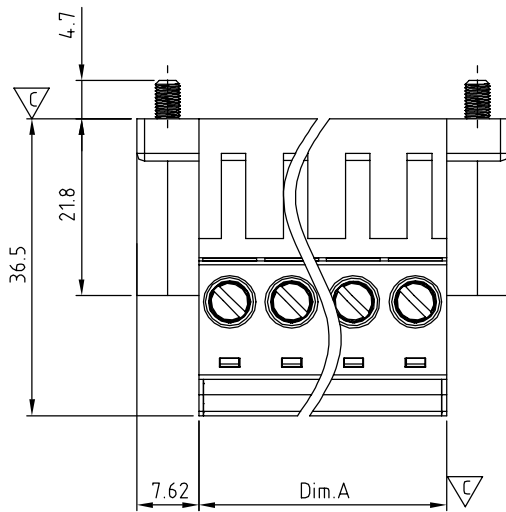




**THE DATASHEET OF  
KT0801540000G**





SECTION P-P

SIGN	DATE	DESCRIPTION	APPROVER
△			
△			
△			

THIS IS CAD DRAWING, DO NOT REVISE MANUALLY!!!

Material

- Item ㉑ Terminal(housing) : PA66 (UL94V-0)
- Item ㉒ Terminal(cover) : PA66 (UL94V-0) ( ET 7.62 )
- Item ㉓ Terminal screw : Steel Zinc plating " - " slot type ( ET 7.62 )
- Item ㉔ Clamp : Brass, Ni plated ( ET 7.62 )
- Item ㉕ Female contact : Copper, Tin plated
- Item ㉖ With flange screw : Steel Zinc plating M3 ( ET 7.62 )

Electrical

- Voltage rating: 600VAC
- Current rating: 41A
- Solid wire (AWG): 8-24
- Stranded wire(AWG): 8-24
- Torque: 9.0 Lb-In
- Screw: M3.5
- Wire strip length: 10-11mm
- Withstanding Voltage: 1.6KV
- Operating temperature: -40°C to +115°C
- Safety Approval:
- Critical dimension:

KT xx 0 1 x 4 xxxx G

No. OF POLES  
02: 2 POLES  
:  
16: 16 POLES

COLOR

- 0 Black (RAL9005)
- 5 Green(RAL6018/T)
- 6 Blue (RAL5015/A)
- 8 Grey(RAL7035/D)
- C Green(RAL6018/U)

G: Pb<4000ppm  
0000: "@" Logo (Standard)  
000A: "ANYTEK" Mark  
Any special item by customer request. please contact sales department.

N = Number of poles

Dimension

Dim.A	N × 7.62
Dim.B	(N-1) × 7.62
Dim.C	(N+1) × 7.62
Dim.D	(N +2)× 7.62

Poles	Tolerance
2P-5P	±0.20
6P-10P	±0.30
11P-16P	±0.40

**ANYTEK**

**CUSTOMER COPY**

ALL RIGHTS RESERVED. REPRODUCTION OR ISSUE TO THIRD PARTIES IN ANY FORM WHATSOEVER IS NOT PERMITTED WITHOUT WRITTEN AUTHORITY FROM THE PROPRIETOR. PROPERTY OF ANYTEK TECHNOLOGY CO., LTD

TITLE	KT 7.62 Series 2P-16P " - " Screw ( Flange With Screw )				DWG NO. 8KT0004	
PART NO.	KTxx01x4xxxxG			CUST NO.		
APPROVED	CHECKED	DESIGNED	DRAWN	Tolerance		
		Aaron 2011.10.18	Aaron 2011.10.18		UNIT: mm	X. ±0.50
					SCALE: NONE	X.X ±0.30
					REV.: B	X.XX ±0.10
				SHEET: 01/01		X° ±1°

## Looking for pricing, stock, or lifecycle information?

Click below to explore more details on WIN SOURCE:

 [View KT0801540000G on WIN SOURCE](#)

 [Amphenol Anytek Information](#)

## Optimize Your Supply Chain with WIN SOURCE Solutions

-  Global Sourcing Solution
-  Obsolete Management
-  Cost Control Management
-  Shortage Management
-  Alternative Solution
-  Excess Inventory Management