



**THE DATASHEET OF
FC3BQBBME12.0-T3**



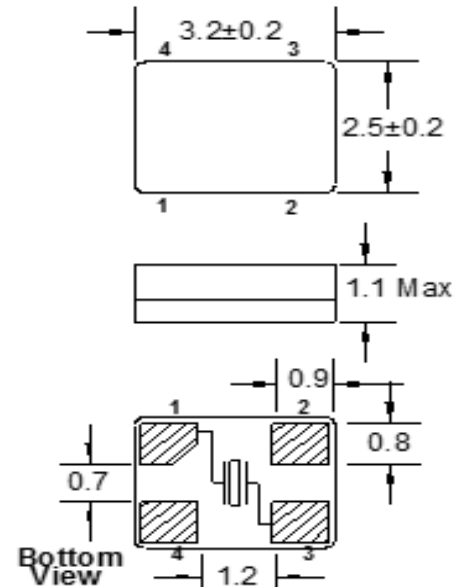
Features

- Tolerances down to ± 20 PPM
- Stabilities down to ± 10 PPM

STANDARD SPECIFICATIONS	
PARAMETERS	MAX (Unless otherwise noted)
Frequency Range	12.000 ~ 50.000 MHz
Frequency Tolerance @ 25°C	(See options below)
Frequency Stability, ref 25°C	
Over Operating Temp Range	(See options below)
Temperature Range	
Operating (T_{OPR})	(See options below)
Storage (T_{STG})	-55°C ~ +125°C
Shunt Capacitance (C_0)	3 pF
Load Capacitance (C_L)	(See options below)
Drive Level	100 μ W
Aging per year (@ 25°C)	± 5 PPM
Maximum Soldering Temp / Time	260°C / 10 Seconds
Moisture Sensitivity Level (MSL) per J-STD-033	1
Termination Finish	Ag
Seal Method	Resin
Lead (Pb) Free	YES
RoHS Compliant	YES

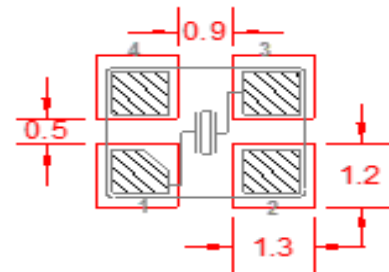
Frequency Range (MHz)	Operating Mode	Max ESR Ω
12.000 ~ 15.999999	Fundamental	120
16.000 ~ 20.000	Fundamental	100
20.000001 ~ 25.000	Fundamental	80
25.000001 ~ 30.000	Fundamental	60
30.000001 ~ 50.000	Fundamental	50

DIMENSIONS / MECHANICAL SPECIFICATIONS



Chamfer may be on pad 1 of pad 3

Recommended Solder Pad Layout



Note: Dimensional drawing is for reference to critical specifications defined by size measurements. Certain non-critical visual attributes, such as side castellations, cover shape, etc. may vary.

AVAILABLE OPERATING TEMPERATURES AND STABILITIES*

Operating Temperature	± 10 PPM	± 15 PPM	± 20 PPM	± 25 PPM	± 30 PPM	± 50 PPM
-10°C ~ +70°C	O	O	O	O	O	O
-20°C ~ +70°C	O	O	O	O	O	O
-40°C ~ +85°C	X	X	X	X	O	O

Key: O = Available, X = Not Available, Δ = Consult Fox Technical Support *Does not imply a stocked part.

FC3BQ

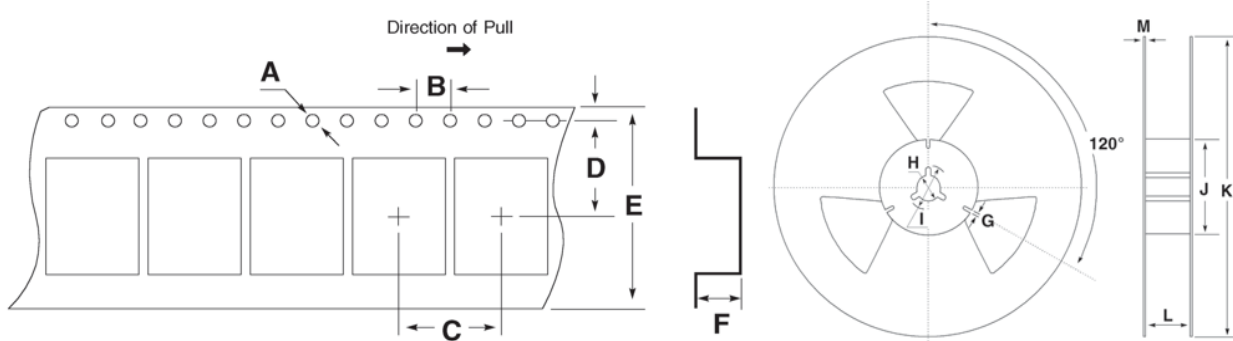
(Former FQ3225B)

3.2mm x 2.5mm

SMD Crystal



TAPE SPECIFICATIONS (mm)							REEL SPECIFICATIONS (mm)						
A	B	C	D	E	F	REEL QTY	G	H	I	J	K	L	M
ø1.5	4.0	4.0	3.5	8.0	1.25	-T3 = 3,000	2.0	ø13	ø21	ø62	ø178	9.0	1.2



Available Options & Part Identification for SMD Crystal FC3BQ¹

Sample PN: FC3BQBBME25.0-T3

F	C3BQ	B	B	M	E	25.0	-T3
Fox	Model Number	Tolerance	Stability	Load Capacitance²	Operating Temperature	Frequency (MHz)	Values Added Options
		B = ±50 PPM C = ±30 PPM D = ±25 PPM E = ±20 PPM	B = ±50 PPM C = ±30 PPM D = ±25 PPM E = ±20 PPM F = ±15 PPM H = ±10 PPM	V = 7pF D = 8pF E = 10pF G = 12pF K = 16pF M = 20pF	E = -10 to +70°C F = -20 to +70°C M = -40 to +85°C		Blank = Bulk T3 = 3,000 pcs

1 Not all frequency, tolerance, stability, load, and operating temperature combinations may be available.

2 Listed load capacitances represent the most commonly used. Other load capacitances are available. Contact us for assistance

Reliability Test Conditions

Please contact Abracon Quality Assurance department

Looking for pricing, stock, or lifecycle information?

Click below to explore more details on WIN SOURCE:

 [View FC3BQBBME12.0-T3 on WIN SOURCE](#)

 [Fox Electronics](#) Information

Optimize Your Supply Chain with WIN SOURCE Solutions

-  Global Sourcing Solution
-  Obsolete Management
-  Cost Control Management
-  Shortage Management
-  Alternative Solution
-  Excess Inventory Management