

FEATURES:

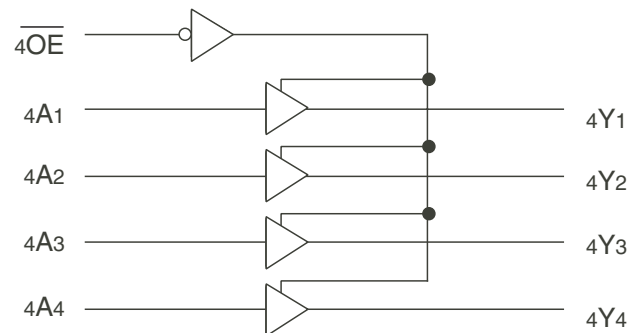
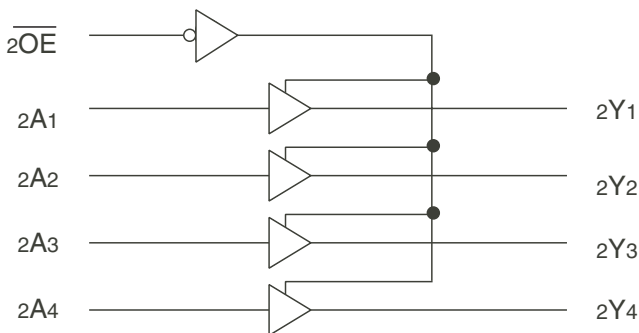
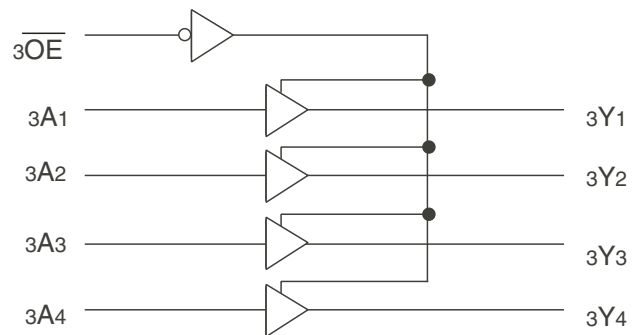
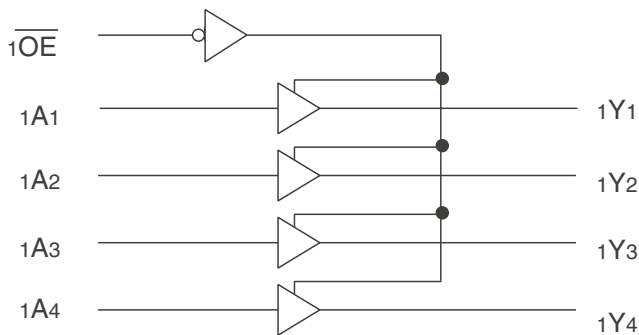
- 0.5 MICRON CMOS Technology
- High-speed, low-power CMOS replacement for ABT functions
- Typical $t_{sk(o)}$ (Output Skew) < 250ps
- Low input and output leakage $\leq 1\mu A$ (max.)
- ESD > 2000V per MIL-STD-883, Method 3015; > 200V using machine model (C = 200pF, R = 0)
- **Balanced Output Drivers:**
 - $\pm 24mA$ (industrial)
 - $\pm 16mA$ (military)
- Reduced system switching noise
- Typical V_{OLP} (Output Ground Bounce) < 0.6V at $V_{CC} = 5V$, $T_A = 25^\circ C$
- Available in the following packages:
 - Industrial: SSOP, TSSOP
 - Military: CERPACK

DESCRIPTION:

The FCT162244T 16-Bit Buffer/Line Driver is for bus interface or signal buffering applications requiring high speed and low power dissipation. These devices have a flow through pin organization, and shrink packaging to simplify board layout. All inputs are designed with hysteresis for improved noise margin. The three-state controls allow independent 4-bit, 8-bit or combined 16-bit operation. These parts are plug in replacements for 54/74ABT16244 where higher speed, lower noise or lower power dissipation levels are desired.

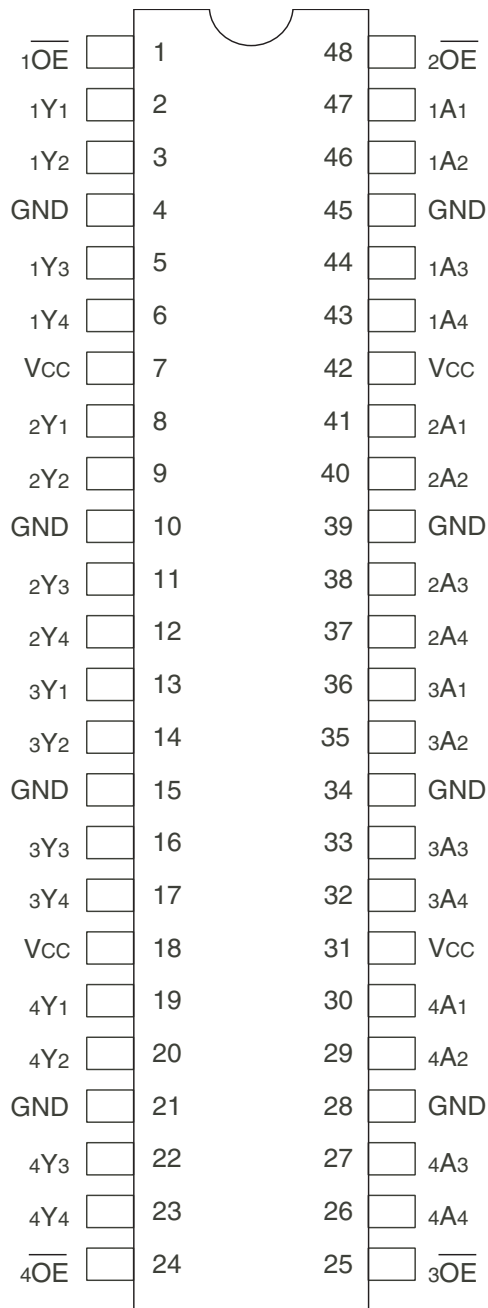
The FCT162244T has balanced output current levels and current limiting resistors. These offer low ground bounce, minimal undershoot, and controlled output fall times, reducing the need for external series terminating resistors while still providing very high speed operation for loads of less than 200pF.

FUNCTIONAL BLOCK DIAGRAM



The IDT logo is a registered trademark of Integrated Device Technology, Inc.

PIN CONFIGURATION



SSOP/ TSSOP/ CERPACK
TOP VIEW

ABSOLUTE MAXIMUM RATINGS⁽¹⁾

| Symbol | Description | Max | Unit |
|----------------------|--------------------------------------|------------------------------|------|
| VTERM ⁽²⁾ | Terminal Voltage with Respect to GND | -0.5 to +7 | V |
| VTERM ⁽³⁾ | Terminal Voltage with Respect to GND | -0.5 to V _{CC} +0.5 | V |
| TSTG | Storage Temperature | -65 to +150 | °C |
| I _{OUT} | DC Output Current | -60 to +120 | mA |

NOTES:

- Stresses greater than those listed under ABSOLUTE MAXIMUM RATINGS may cause permanent damage to the device. This is a stress rating only and functional operation of the device at these or any other conditions above those indicated in the operational sections of this specification is not implied. Exposure to absolute maximum rating conditions for extended periods may affect reliability.
- All device terminals except FCT162XXXT Output and I/O terminals.
- Output and I/O terminals terminals for FCT162XXXT and FCT166XXXT.

CAPACITANCE (T_A = +25°C, F = 1.0MHz)

| Symbol | Parameter ⁽¹⁾ | Conditions | Typ. | Max. | Unit |
|------------------|--------------------------|-----------------------|------|------|------|
| C _{IN} | Input Capacitance | V _{IN} = 0V | 3.5 | 6 | pF |
| C _{OUT} | Output Capacitance | V _{OUT} = 0V | 3.5 | 8 | pF |

NOTE:

- This parameter is measured at characterization but not tested.

PIN DESCRIPTION

| Pin Names | Description |
|-------------------|---|
| x \overline{OE} | 3-State Output Enable Inputs (Active LOW) |
| xAx | Data Inputs |
| xYx | 3-State Outputs |

FUNCTION TABLE⁽¹⁾

| Inputs | | Outputs |
|-------------------|-----|---------|
| x \overline{OE} | xAx | xYx |
| L | L | L |
| L | H | H |
| H | X | Z |

NOTE:

- H = HIGH Voltage Level
X = Don't Care
L = LOW Voltage Level
Z = High-Impedance

DC ELECTRICAL CHARACTERISTICS OVER OPERATING RANGE

Following Conditions Apply Unless Otherwise Specified:

Industrial: $T_A = -40^{\circ}\text{C}$ to $+85^{\circ}\text{C}$, $V_{CC} = 5.0\text{V} \pm 10\%$; Military: $T_A = -55^{\circ}\text{C}$ to $+125^{\circ}\text{C}$, $V_{CC} = 5.0\text{V} \pm 10\%$

| Symbol | Parameter | Test Conditions ⁽¹⁾ | | Min. | Typ. ⁽²⁾ | Max. | Unit |
|-------------------------------------|---|--|---------------------|------|---------------------|---------|---------------|
| V_{IH} | Input HIGH Level | Guaranteed Logic HIGH Level | | 2 | — | — | V |
| V_{IL} | Input LOW Level | Guaranteed Logic LOW Level | | — | — | 0.8 | V |
| I_{IH} | Input HIGH Current (Input pins) ⁽⁵⁾ | $V_{CC} = \text{Max.}$ | $V_I = V_{CC}$ | — | — | ± 1 | μA |
| | Input HIGH Current (I/O pins) ⁽⁵⁾ | | | — | — | ± 1 | |
| I_{IL} | Input LOW Current (Input pins) ⁽⁵⁾ | | $V_I = \text{GND}$ | — | — | ± 1 | |
| | Input LOW Current (I/O pins) ⁽⁵⁾ | | | — | — | ± 1 | |
| I_{OZH} | High Impedance Output Current (3-State Output pins) ⁽⁵⁾ | $V_{CC} = \text{Max.}$ | $V_O = 2.7\text{V}$ | — | — | ± 1 | μA |
| I_{OZL} | | | $V_O = 0.5\text{V}$ | — | — | ± 1 | |
| V_{IK} | Clamp Diode Voltage | $V_{CC} = \text{Min.}, I_{IN} = -18\text{mA}$ | | — | -0.7 | -1.2 | V |
| I_{OS} | Short Circuit Current | $V_{CC} = \text{Max.}, V_O = \text{GND}^{(3)}$ | | -80 | -140 | -250 | mA |
| V_H | Input Hysteresis | — | | — | 100 | — | mV |
| I_{CCL} I_{CCH} I_{CCZ} | Quiescent Power Supply Current | $V_{CC} = \text{Max.}$ $V_{IN} = \text{GND or } V_{CC}$ | | — | 5 | 500 | μA |

OUTPUT DRIVE CHARACTERISTICS

| Symbol | Parameter | Test Conditions ⁽¹⁾ | | Min. | Typ. ⁽²⁾ | Max. | Unit |
|-----------|---------------------|---|--|------|---------------------|------|------|
| I_{ODL} | Output LOW Current | $V_{CC} = 5\text{V}, V_{IN} = V_{IH} \text{ or } V_{IL}, V_O = 1.5\text{V}^{(3)}$ | | 60 | 115 | 200 | mA |
| I_{ODH} | Output HIGH Current | $V_{CC} = 5\text{V}, V_{IN} = V_{IH} \text{ or } V_{IL}, V_O = 1.5\text{V}^{(3)}$ | | -60 | -115 | -200 | mA |
| V_{OH} | Output HIGH Voltage | $V_{CC} = \text{Min}$ $V_{IN} = V_{IH} \text{ or } V_{IL}$ | $I_{OH} = -16\text{mA MIL}$ $I_{OH} = -24\text{mA COM'L}$ | 2.4 | 3.3 | — | V |
| V_{OL} | Output LOW Voltage | $V_{CC} = \text{Min}$ $V_{IN} = V_{IH} \text{ or } V_{IL}$ | $I_{OH} = 16\text{mA MIL}$ $I_{OH} = 24\text{mA COM'L}$ | — | 0.3 | 0.55 | V |

NOTES:

1. For conditions shown as Min. or Max., use appropriate value specified under Electrical Characteristics for the applicable device type.
2. Typical values are at $V_{CC} = 5.0\text{V}$, $+25^{\circ}\text{C}$ ambient.
3. Not more than one output should be shorted at one time. Duration of the test should not exceed one second.
4. Duration of the condition can not exceed one second.
5. This test limit for this parameter is $\pm 5\mu\text{A}$ at $T_A = -55^{\circ}\text{C}$.

POWER SUPPLY CHARACTERISTICS

| Symbol | Parameter | Test Conditions ⁽¹⁾ | | Min. | Typ. ⁽²⁾ | Max. | Unit |
|-----------------|---|---|--|------|---------------------|---------------------|--------------------------|
| ΔI_{CC} | Quiescent Power Supply Current TTL Inputs HIGH | $V_{CC} = \text{Max.}$ $V_{IN} = 3.4V^{(3)}$ | | — | 0.5 | 1.5 | mA |
| I_{CCD} | Dynamic Power Supply Current ⁽⁴⁾ | $V_{CC} = \text{Max.}$ Outputs Open $\overline{xOE} = \text{GND}$ One Input Toggling 50% Duty Cycle | $V_{IN} = V_{CC}$ $V_{IN} = \text{GND}$ | — | 60 | 100 | $\mu\text{A}/\text{MHz}$ |
| I_C | Total Power Supply Current ⁽⁶⁾ | $V_{CC} = \text{Max.}$ Outputs Open $f_i = 10\text{MHz}$ 50% Duty Cycle $\overline{xOE} = \text{GND}$ One Bit Toggling | $V_{IN} = V_{CC}$ $V_{IN} = \text{GND}$ | — | 0.6 | 1.5 | mA |
| | | | $V_{IN} = 3.4V$ $V_{IN} = \text{GND}$ | — | 0.9 | 2.3 | |
| | | $V_{CC} = \text{Max.}$ Outputs Open $f_i = 2.5\text{MHz}$ 50% Duty Cycle $\overline{xOE} = \text{GND}$ Sixteen Bits Toggling | $V_{IN} = V_{CC}$ $V_{IN} = \text{GND}$ | — | 2.4 | 4.5 ⁽⁵⁾ | |
| | | | $V_{IN} = 3.4V$ $V_{IN} = \text{GND}$ | — | 6.4 | 16.5 ⁽⁵⁾ | |

NOTES:

1. For conditions shown as Min. or Max., use appropriate value specified under Electrical Characteristics for the applicable device type.

2. Typical values are at $V_{CC} = 5.0V$, $+25^\circ\text{C}$ ambient.

3. Per TTL driven input ($V_{IN} = 3.4V$). All other inputs at V_{CC} or GND.

4. This parameter is not directly testable, but is derived for use in Total Power Supply Calculations.

5. Values for these conditions are examples of the I_{CC} formula. These limits are guaranteed but not tested.

6. $I_C = I_{QUIESCENT} + I_{INPUTS} + I_{DYNAMIC}$

$I_C = I_{CC} + \Delta I_{CC} D_H N_T + I_{CCD} (f_{CP} N_{CP} / 2 + f_i N_i)$

$I_{CC} = \text{Quiescent Current (} I_{CCL}, I_{CCH} \text{ and } I_{CCZ} \text{)}$

$\Delta I_{CC} = \text{Power Supply Current for a TTL High Input (} V_{IN} = 3.4V \text{)}$

$D_H = \text{Duty Cycle for TTL Inputs High}$

$N_T = \text{Number of TTL Inputs at } D_H$

$I_{CCD} = \text{Dynamic Current caused by an Input Transition Pair (HLH or LHL)}$

$f_{CP} = \text{Clock Frequency for Register Devices (Zero for Non-Register Devices)}$

$N_{CP} = \text{Number of Clock Inputs at } f_{CP}$

$f_i = \text{Input Frequency}$

$N_i = \text{Number of Inputs at } f_i$

SWITCHING CHARACTERISTICS OVER OPERATING RANGE

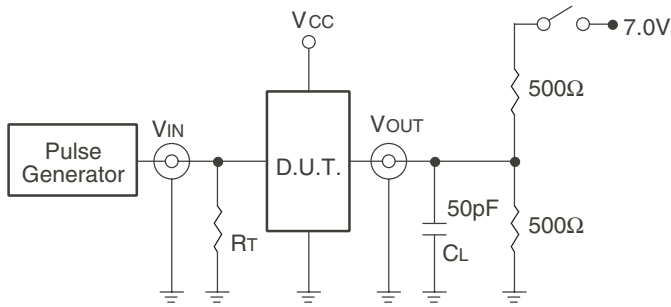
| Symbol | Parameter | Condition ⁽¹⁾ | 74FCT162244AT | | 74FCT162244CT | | 74FCT162244ET | | Unit |
|--------------------------------------|---------------------------------|--|---------------------|------|---------------------|------|---------------------|------|------|
| | | | Min. ⁽²⁾ | Max. | Min. ⁽²⁾ | Max. | Min. ⁽²⁾ | Max. | |
| t _{PLH} t _{PHL} | Propagation Delay xAx to xYx | C _L = 50pF R _L = 500Ω | 1.5 | 4.8 | 1.5 | 4.1 | 1.5 | 3.2 | ns |
| t _{PZH} t _{PZL} | Output Enable Time | | 1.5 | 6.2 | 1.5 | 5.8 | 1.5 | 4.4 | ns |
| t _{PHZ} t _{PLZ} | Output Disable Time | | 1.5 | 5.6 | 1.5 | 5.2 | 1.5 | 3.6 | ns |
| tsk(o) | Output Skew ⁽³⁾ | | — | 0.5 | — | 0.5 | — | 0.5 | ns |

| Symbol | Parameter | Condition ⁽¹⁾ | 54FCT162244T | | 54FCT162244AT | | 54FCT162244CT | | Unit |
|--------------------------------------|---------------------------------|--|---------------------|------|---------------------|------|---------------------|------|------|
| | | | Min. ⁽²⁾ | Max. | Min. ⁽²⁾ | Max. | Min. ⁽²⁾ | Max. | |
| t _{PLH} t _{PHL} | Propagation Delay xAx to xYx | C _L = 50pF R _L = 500Ω | 1.5 | 7 | 1.5 | 5.1 | 1.5 | 4.6 | ns |
| t _{PZH} t _{PZL} | Output Enable Time | | 1.5 | 8.5 | 1.5 | 6.5 | 1.5 | 6.5 | ns |
| t _{PHZ} t _{PLZ} | Output Disable Time | | 1.5 | 7.5 | 1.5 | 5.9 | 1.5 | 5.7 | ns |
| tsk(o) | Output Skew ⁽³⁾ | | — | 0.5 | — | 0.5 | — | 0.5 | ns |

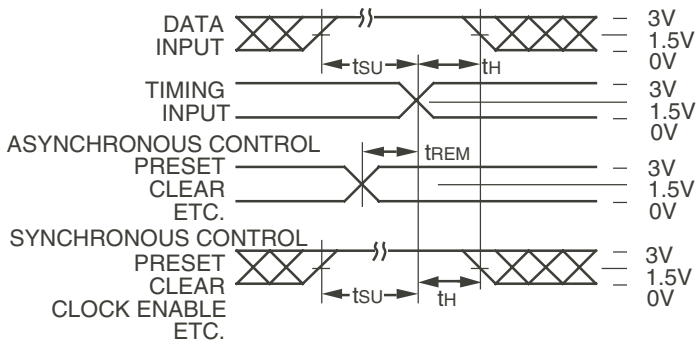
NOTES:

1. See test circuit and waveforms.
2. Minimum limits are guaranteed but not tested on Propagation Delays.
3. Skew between any two outputs, of the same package, switching in the same direction. This parameter is guaranteed by design.

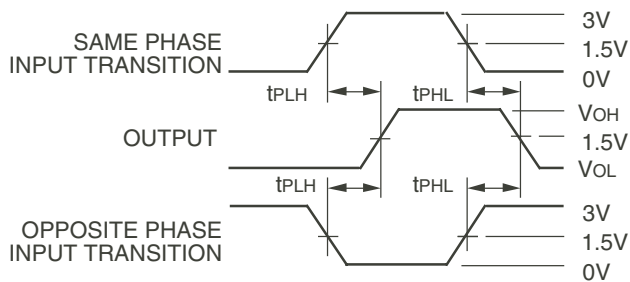
TEST CIRCUITS AND WAVEFORMS



Test Circuit for All Outputs



Set-up, Hold, and Release Times



Propagation Delay

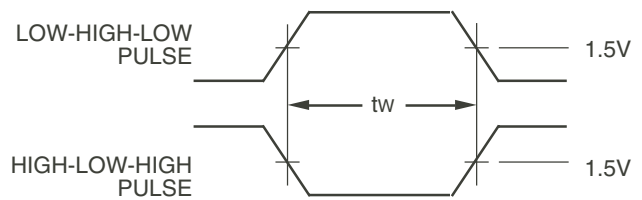
SWITCH POSITION

| Test | Switch |
|---|--------|
| Open Drain Disable Low Enable Low | Closed |
| All Other Tests | Open |

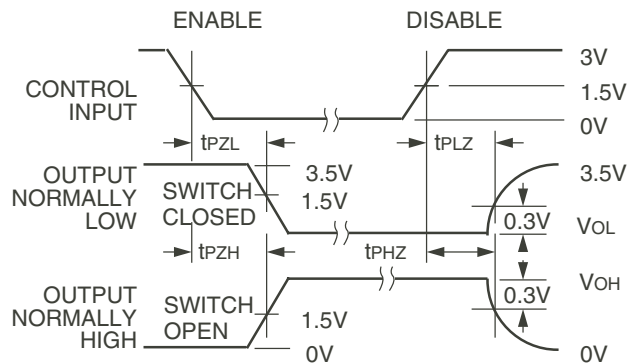
DEFINITIONS:

CL = Load capacitance: includes jig and probe capacitance.

RT = Termination resistance: should be equal to Zout of the Pulse Generator.



Pulse Width

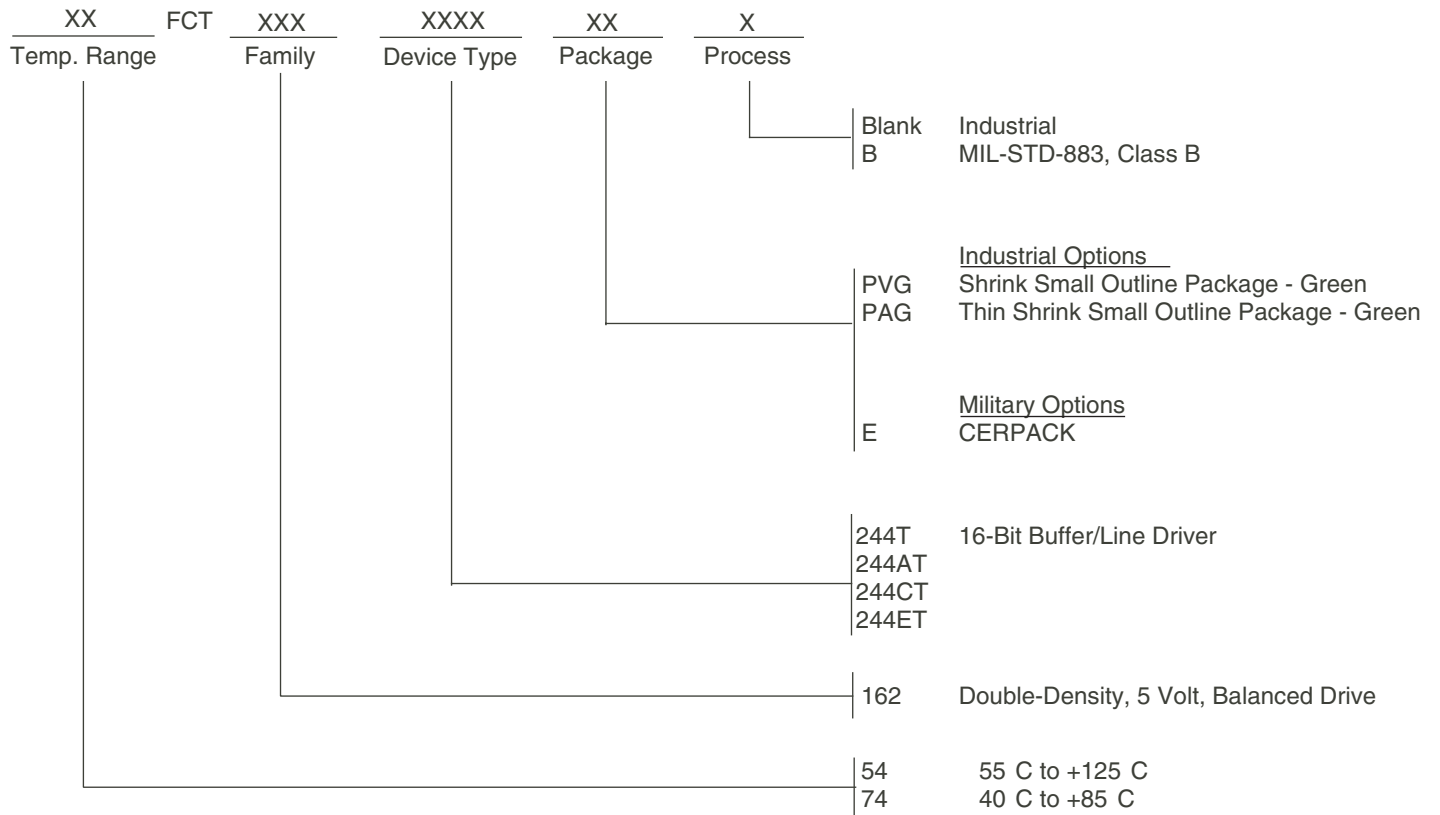


Enable and Disable Times

NOTES:

1. Diagram shown for input Control Enable-LOW and input Control Disable-HIGH.
2. Pulse Generator for All Pulses: Rate \leq 1.0MHz; $t_r \leq$ 2.5ns; $t_f \leq$ 2.5ns.

ORDERING INFORMATION



Datasheet Document History

09/06/09 Pg.6 Updated the ordering information by removing the "IDT" notation and non RoHS part.

IMPORTANT NOTICE AND DISCLAIMER

RENESAS ELECTRONICS CORPORATION AND ITS SUBSIDIARIES (“RENESAS”) PROVIDES TECHNICAL SPECIFICATIONS AND RELIABILITY DATA (INCLUDING DATASHEETS), DESIGN RESOURCES (INCLUDING REFERENCE DESIGNS), APPLICATION OR OTHER DESIGN ADVICE, WEB TOOLS, SAFETY INFORMATION, AND OTHER RESOURCES “AS IS” AND WITH ALL FAULTS, AND DISCLAIMS ALL WARRANTIES, EXPRESS OR IMPLIED, INCLUDING, WITHOUT LIMITATION, ANY IMPLIED WARRANTIES OF MERCHANTABILITY, FITNESS FOR A PARTICULAR PURPOSE, OR NON-INFRINGEMENT OF THIRD-PARTY INTELLECTUAL PROPERTY RIGHTS.

These resources are intended for developers who are designing with Renesas products. You are solely responsible for (1) selecting the appropriate products for your application, (2) designing, validating, and testing your application, and (3) ensuring your application meets applicable standards, and any other safety, security, or other requirements. These resources are subject to change without notice. Renesas grants you permission to use these resources only to develop an application that uses Renesas products. Other reproduction or use of these resources is strictly prohibited. No license is granted to any other Renesas intellectual property or to any third-party intellectual property. Renesas disclaims responsibility for, and you will fully indemnify Renesas and its representatives against, any claims, damages, costs, losses, or liabilities arising from your use of these resources. Renesas' products are provided only subject to Renesas' Terms and Conditions of Sale or other applicable terms agreed to in writing. No use of any Renesas resources expands or otherwise alters any applicable warranties or warranty disclaimers for these products.

(Disclaimer Rev.1.01 Jan 2024)

Corporate Headquarters

TOYOSU FORESIA, 3-2-24 Toyosu,
Koto-ku, Tokyo 135-0061, Japan
www.renesas.com

Trademarks

Renesas and the Renesas logo are trademarks of Renesas Electronics Corporation. All trademarks and registered trademarks are the property of their respective owners.

Contact Information

For further information on a product, technology, the most up-to-date version of a document, or your nearest sales office, please visit www.renesas.com/contact-us/.

Looking for pricing, stock, or lifecycle information?

Click below to explore more details on WIN SOURCE:

 [View 74FCT162244ATPAG8 on WIN SOURCE](#)

 [Renesas Electronics America](#) Information

Optimize Your Supply Chain with WIN SOURCE Solutions

-  Global Sourcing Solution
-  Obsolete Management
-  Cost Control Management
-  Shortage Management
-  Alternative Solution
-  Excess Inventory Management