



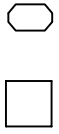
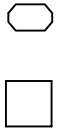
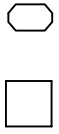
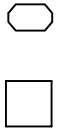
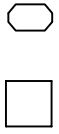
**THE DATASHEET OF
YO030150000G**



PRODUCT NUMBER

20020327-XXXXXXLF

20020327-



PITCH

C: 3.50 mm
D: 3.81 mm

POLES

02: 2 POLES
03: 3 POLES
04: 4 POLES

24: 24 POLES

PROPERTY TABLE

FCI SERIES NAME	26-350	26-381
PITCH (mm)	3.50	3.81
VOLTAGE RATING (VAC)	300	300
CURRENT RATING (A)	10	10
APPLICABLE WIRE RANGE (AWG)	1-WIRE	16~24
	2-WIRE	20
WIRE CROSS SECTION (mm ²)	SOLID	1.5
	STRANDED	0.5
OPENING CONTACT HOUSING(mm ²)	1.6x1.6	1.6x1.6
WIRE STRIP LENGTH(mm)	5~6	5~6
TORQUE +/-10% (N-m/Lb-in)	0.19/1.7	0.19/1.7
SCREW	M2x0.4	M2x0.4
WITHSTANDING VOLTAGE (kV)	1.6	1.6
OPERATING TEMP. (°C)	-40~+115	-40~+115
SOLDERING TEMP. (°C)	250±10 (5 sec.)	250±10 (5 sec.)
POLES AVAILABLE	02~24	02~24
SAFETY CERTIFICATE		

A

HOUSING CODE

CODE	COLOR	AVAILABILITY
1	GREEN(RAL 6018/T)	STANDARD
2	BLACK	ON REQUEST ONLY
3	GREY(RAL 7004/P)	ON REQUEST ONLY
4	BLUE(RAL 5015/A)	ON REQUEST ONLY

NOTES:

- MATERIALS
1-1 HOUSING
1-2 SCREW
1-3 CLAMP
1-4 TERMINATION
2. PRODUCTION
3. BOXED PACK
DETAILED P
4. FCI SAFETY
PRODUCT S
5. THE PRODU
UNION DIREC
GS-22-006
6. RECOMMEND

mat'l. code

ltr	ecn no	dr	date	surface	ASME Y14.5
A	1009-0203	BF	062509	tolerances unless	A
B	T09-1148	BF	111709	angles	X
C	T09-1152	BF	112609	X±1°	X.X
D	T10-0042	WL	030310	dr	BEER FU
E	T10-0109	WL	070710	enfr	BEER FU
F	T10-0159	WL	100410	chr	GARY HSIEN
G	T10-0187	WL	121410	appd	JOSEPH HS
sheet	revision	G	G	G	G
index	sheet	1	2	3	

form: A4mmXLc

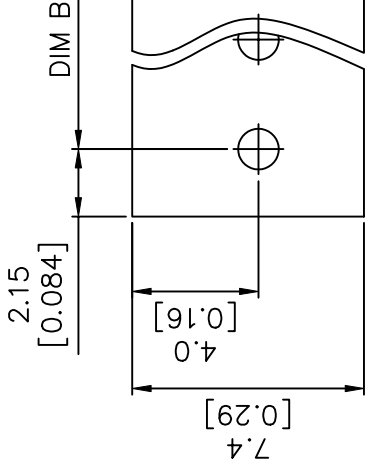
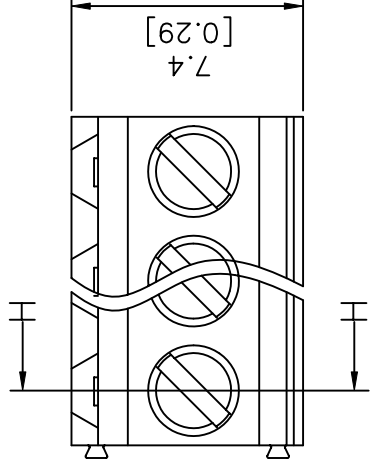
1 |

2

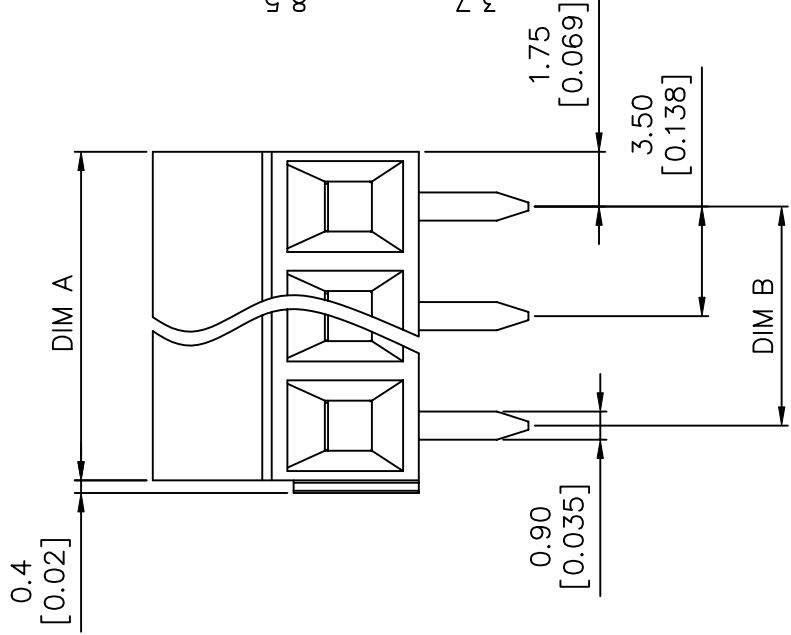
B

PDM: Rev: C

PRODUCT NUMBER	SERIES NAME	PITCH
20020327-CXXXXXXLF	26-350	3.50 mm



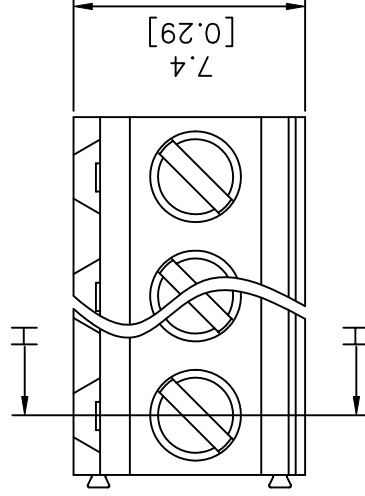
P.C.B. LAYO



N =	
Dim	2
Dim	7
	13
	17

mat'l. code	tr	ecn no	dr	date	surface
G					ASME Y14.5
					tolerances unless
					angles
					X±1°
					dr
					BEER FU
					engr
					chr
					appd
sheet	revision				
index	sheet				

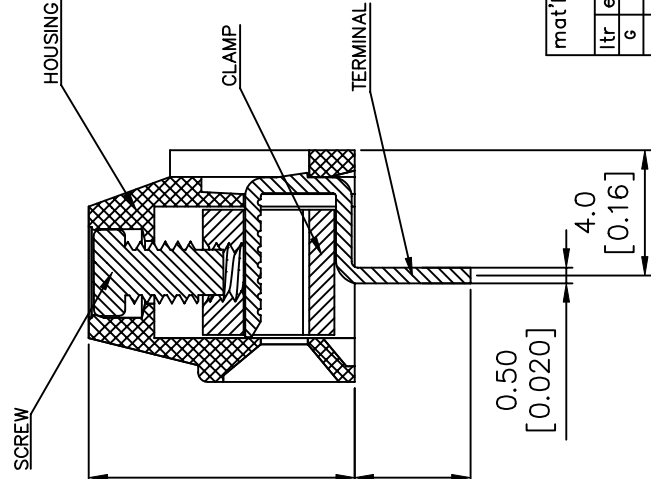
PRODUCT NUMBER	SERIES NAME	PITCH
20020327-DXXXXXXLF	26-381	3.81 mm



0.4
[0.02]

DIM A

P.C.B. I



SCREW

HOUSING

CLAMP

TERMINAL

A

0.90
[0.035]

DIM B

0.50
[0.020]

1.9
[0.075]

3.81
[0.150]

0.90
[0.035]

1.9
[0.075]

0.50
[0.020]

3.81
[0.150]

0.90
[0.035]

4.0
[0.16]

SEC H-H

B

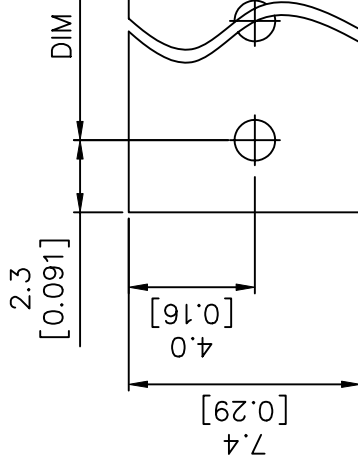
form: A4mmXLC

1 |

2

PDM: Rev: C

mat'l. code	tr	ecn no	dr	date	surface
G					ASME Y14.5
					tolerances unless
					angles
					X±1°
					dr
					BEER FU
					enfr
					chr
					appd
sheet	revision				
index	sheet				



2.3
[0.091]



DIM

4.0
[0.16]

7.4
[0.29]

Looking for pricing, stock, or lifecycle information?

Click below to explore more details on WIN SOURCE:

-  [View YO0301500000G on WIN SOURCE](#)
-  [Amphenol Anytek Information](#)

Optimize Your Supply Chain with WIN SOURCE Solutions

-  Global Sourcing Solution
-  Obsolete Management
-  Cost Control Management
-  Shortage Management
-  Alternative Solution
-  Excess Inventory Management