



**THE DATASHEET OF
CSX-750FBC14318180T**

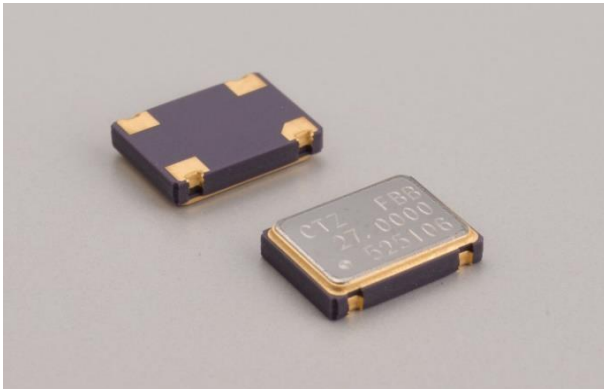


CRYSTAL CLOCK OSCILLATORS (SMD · Ceramic Package)

RoHS compliant

CSX-750F

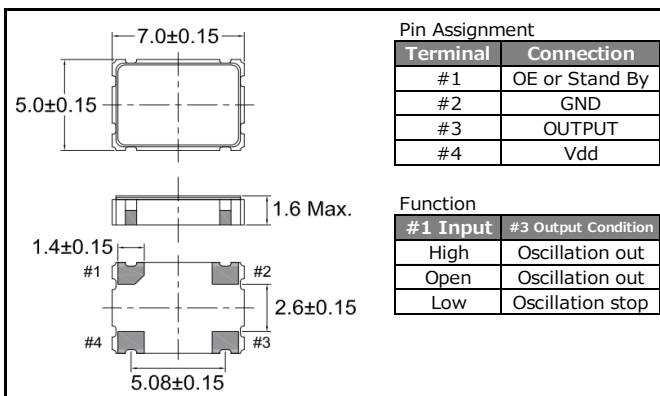
1,000pcs/reel



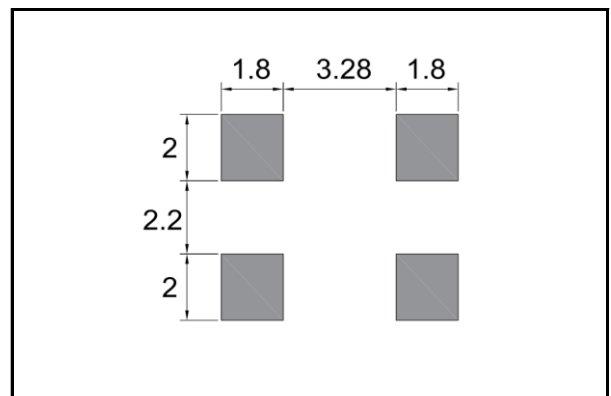
FEATURES

- Frequency range : 1.8432 ~ 39.999MHz
- External dimensions (mm)
L : 7.0 x W : 5.0 x H : 1.6
- Applications
Consumer products

DIMENSION [mm]



SOLDER PAD LAYOUT [mm]

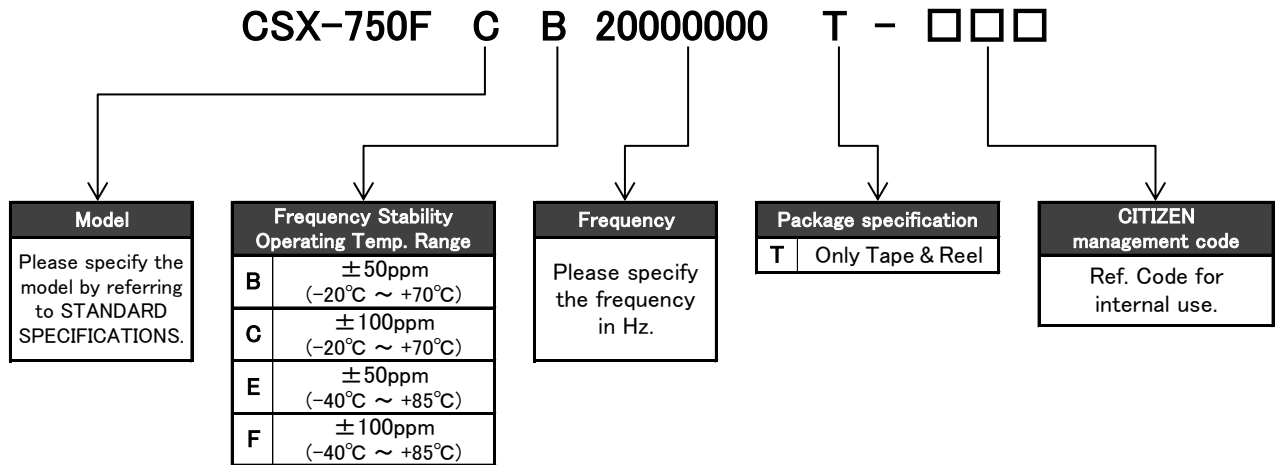


STANDARD SPECIFICATIONS

*Model is determined by selection of OE/ST functions, frequency stability, and supply voltage.

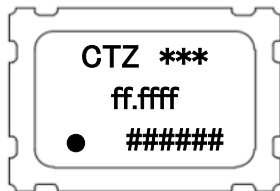
| Item | Model | OE | CSX-750FC (*) | CSX-750FB (*) |
|-----------------------------|----------------------|----------|--|-------------------------|
| | | STAND-BY | | |
| Frequency Range | | | 1.8432~39.999MHz | |
| Supply Voltage | | | Vdd: 5.0V±0.5V | Vdd: 3.3V±0.3V |
| Frequency Stability | | (*) | B: ±50ppm(-20°C ~ +70°C), C: ±100ppm(-20°C ~ +70°C) E: ±50ppm(-40°C ~ +85°C), F: ±100ppm(-40°C ~ +85°C) | |
| Operating Temperature Range | | | -20°C ~ +70°C / (-40°C ~ +85°C) | |
| Storage Temperature Range | | | -55°C ~ +125°C | |
| Current consumption | | | 25mA Max. | 15mA Max. |
| Duty | TTL level (1.4V) | | 40~60% | — |
| | CMOS level (1/2 Vdd) | | 45~55% | |
| Output Voltage | V _{OH} | | 0.9V _{dd} Min. | |
| | V _{OL} | | 0.4V Max. | 0.1V _{dd} Max. |
| Output Load | TTL | | 10TTL Max. | — |
| | CMOS | | 50pF Max. | 30pF Max. |
| Rise and Fall Time | | | 8 nsec Max. | |
| Start-up time | | | 4 msec Max. | |
| Input Voltage | V _{IH} | | 2.0V Min. | |
| | V _{IL} | | 0.8V Max. | 0.4V Max. |
| Disable current | | | 10mA Max. | 5mA Max. |
| Stand-by current | | | — | |

■ PART NUMBERING SYSTEM



*Please contact us for specifications available.

■ Part Marking [standard]



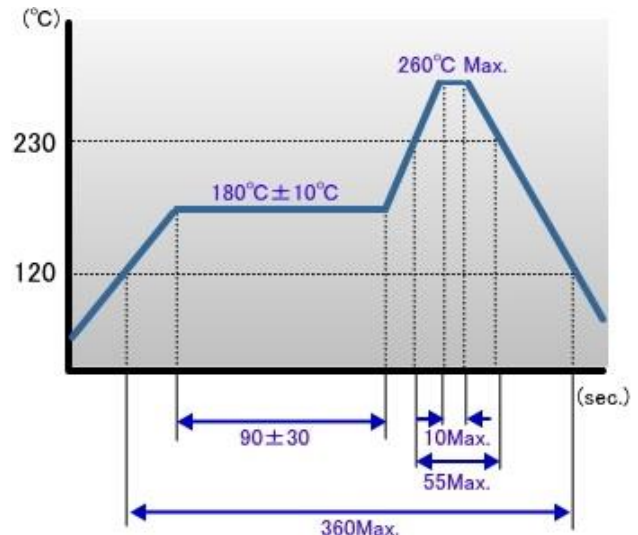
CTZ : Manufacture's ID Code

* : Model

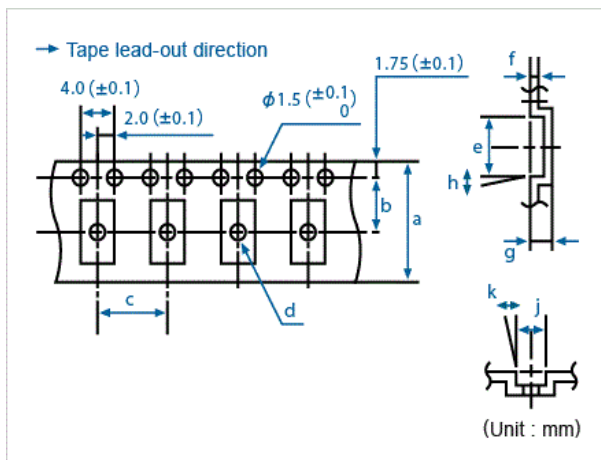
f : Frequency

: Production Lot No.

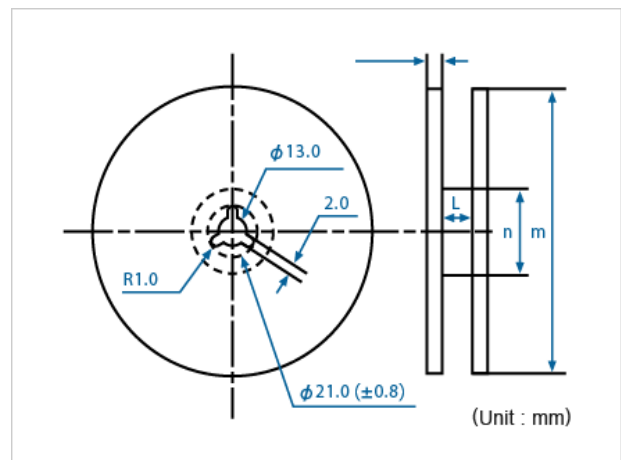
■ Reflow profile



■ Packing



Conforming to JIS C 0806 TB1208NEIAJ and RC-1009B TE1208N



Conforming to JIS C 0806 R12R and EIAJ RC-1009B R15

| Q'ty/reel | a | b | c | d (φ) | e | f | g | h | j | k | l | m (φ) | n (φ) |
|-----------|------|-----|-----|-------|-----|-----|-----|----|-----|----|------|-------|-------|
| 1,000 | 16.0 | 7.5 | 8.0 | 1.5 | 7.4 | 0.3 | 1.9 | 5° | 5.4 | 5° | 16.0 | 180 | 62 |

Product specifications are subject to change without notice.

Rev.3

Looking for pricing, stock, or lifecycle information?

Click below to explore more details on WIN SOURCE:

-  [View CSX-750FBC14318180T on WIN SOURCE](#)
-  [Citizen Finedevice Co Ltd Information](#)

Optimize Your Supply Chain with WIN SOURCE Solutions

-  Global Sourcing Solution
-  Obsolete Management
-  Cost Control Management
-  Shortage Management
-  Alternative Solution
-  Excess Inventory Management