



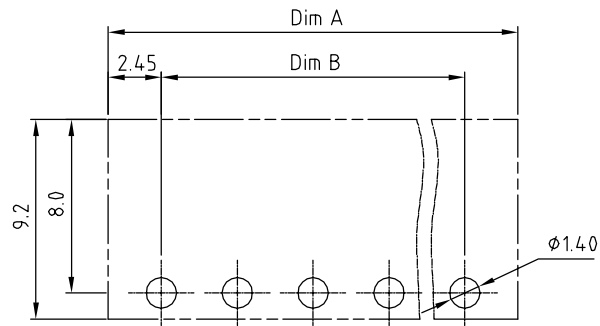
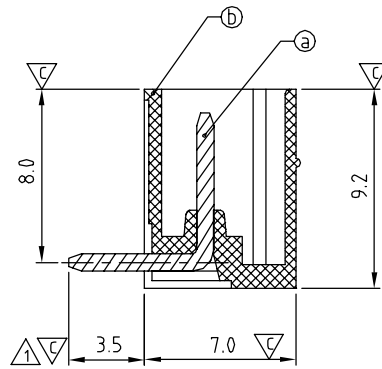
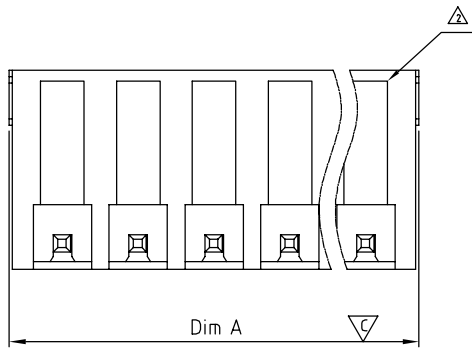
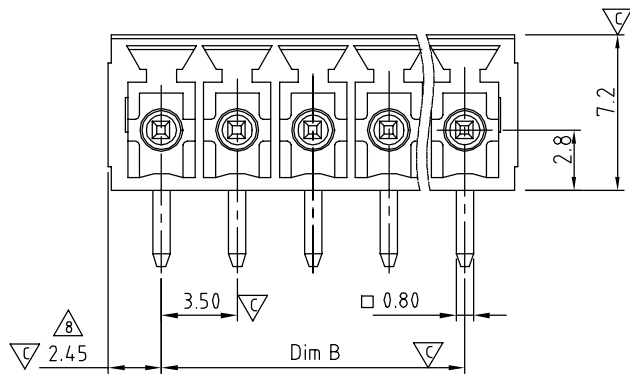
THE DATASHEET OF

OQ0312510000G

www.win-source.net



0086-755-83957316



RECOMMENDED PCB LAYOUT

DIMENSION

A	(N-1)×3.5+4.90	⚠
B	(N-1)×3.5	

N= NUMBER OF CONCATS

Poles	Tolerance
2P-6P	±0.15
7P-12P	±0.20
13P-18P	±0.25
19P-24P	±0.30

SIGN	DATE	DESCRIPTION	APPROVER
⚠	10/20'05	Dim changed from 3.8 to 3.5	Marvin
⚠	04/20'06	Added feature	Marvin
⚠	8/16'06	Added VDE standard	Steady
⚠	1/11'07	Soldering temperature changed from 245° to 250°	Tony
⚠	5/27'08	Operating temperature is changed	Marvin
⚠	3/17'09	The dimensions is changed from 2.3mm to 2.5mm	Jacke
⚠	2009.08.18	The material is changed	Jacke
⚠	2011.03.16	The dimensions is changed from 2.5mm to 2.45mm	Aaron
⚠	2012.05.14	Voltage rating is changed	Chen Bo

THIS IS CAD DRAWING, DO NOT REVISE MANUALLY!!!

Material:

- ⚠ Item ⓐ Male contact pin: Copper Tin plated
- Item ⓑ Terminalhousing): Thermoplastic (UL94V-0)

- ⚠ Electrical: cULus /VDE
- ⚠ ● Voltage rating: 300V/300V
- Current rating: 10A/10.5A
- Withstanding Voltage: 1.6 KV/2.5KV
- ⚠ ● Operating temperature: -40°C to +115°C
- ⚠ ● Soldering temperature: 250°C±10°C/5 Sec
- Safety Approval: cULus VDE
- Critical dimension: ⚠

OQ xx 1 2 x 1 xxxx G

No. OF POLES
02: 2 POLES

24: 24 POLES

Color

- 0 Black (RAL9005)
- 2 Red (RAL3001/D)
- 3 Orange(RAL2011/P)
- 4 Yellow(RAL1018/A)
- 5 Green(RAL6018/T)
- 6 Blue (RAL5015/A)
- 8 Grey(RAL7035/D)

G RoHS compliant (lead<4%)
In copper Alloy

0000: "ⓐ" Logo
000A: "ANYTEK" Logo
Any special item by customer request.
please contact sales department.

ANYTEK

CUSTOMER COPY

ALL RIGHTS RESERVED. REPRODUCTION OR ISSUE TO THIRD PARTIES IN ANY FORM WHATSOEVER IS NOT PERMITTED WITHOUT WRITTEN AUTHORITY FROM THE PROPRIETOR. PROPERTY OF ANYTEK TECHNOLOGY CO., LTD

TITLE		OQ 3.5mm Series 90° (2P-24P) Triangle Key Lock			
PART NO.		OQxx12x1xxxxG		DWG NO. 80Q.04.02	
APPROVED	CHECKED	DESIGNED	DRAWN	CUST NO.	
		Chen Bo 05/14'12	Chen Bo 05/14'12		
				Tolerance	
				UNIT: mm	
				SCALE: NONE	
				X. ±0.50	
				X.X ±0.30	
				X.XX ±0.10	
				X° ±1°	
				SHEET: 01/01	
				REV.: L	

Looking for pricing, stock, or lifecycle information?

Click below to explore more details on WIN SOURCE:

 [View OQ0312510000G on WIN SOURCE](#)

 [Amphenol Anytek Information](#)

Optimize Your Supply Chain with WIN SOURCE Solutions

-  Global Sourcing Solution
-  Obsolete Management
-  Cost Control Management
-  Shortage Management
-  Alternative Solution
-  Excess Inventory Management