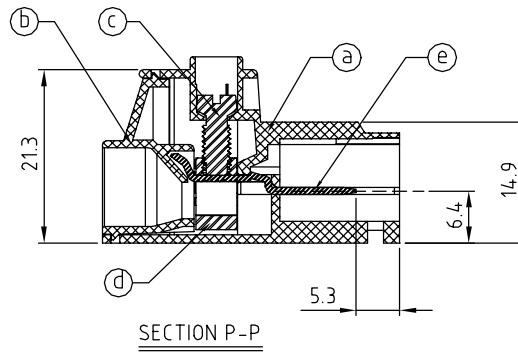
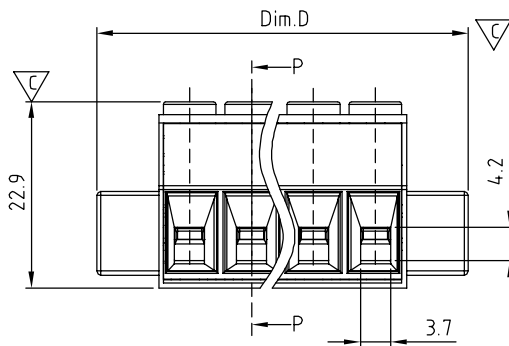
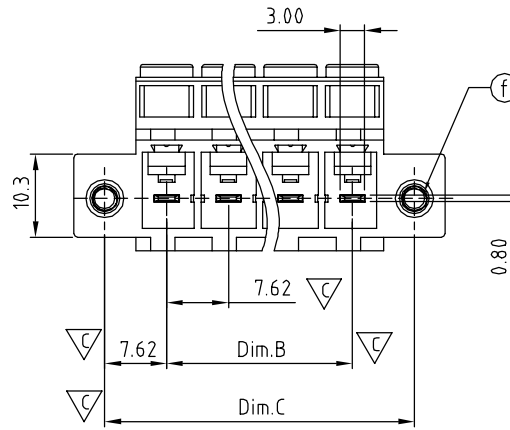
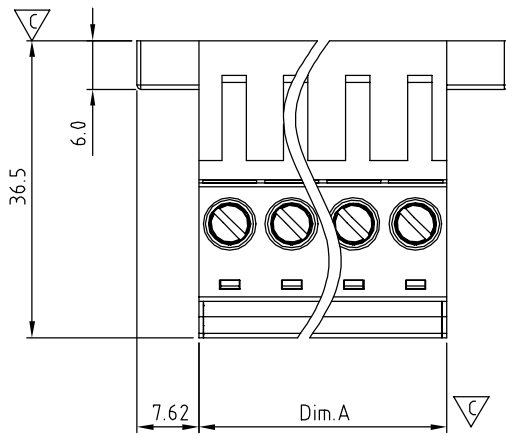




**THE DATASHEET OF  
KT0801520000G**







SIGN	DATE	DESCRIPTION	APPROVER
△			
△			
△			

THIS IS CAD DRAWING, DO NOT REVISE MANUALLY!!!

### Material

- Item ㉑ Terminal(housing) : PA66 (UL94V-0)
- Item ㉒ Terminal(cover) : PA66 (UL94V-0) ( ET 7.62 )
- Item ㉓ Terminal screw : Steel Zinc plating " - " slot type ( ET 7.62 )
- Item ㉔ Clamp : Brass, Ni plated ( ET 7.62 )
- Item ㉕ Female contact : Copper, Tin plated
- Item ㉖ With flange Nut : Steel Zinc plating M3 ( VC 7.62 )

### Electrical

- Voltage rating: 600VAC
- Current rating: 41A
- Solid wire (AWG): 8-24
- Stranded wire(AWG): 8-24
- Torque: 9.0 Lb-In
- Screw: M3.5
- Wire strip length: 10-11mm
- Withstanding Voltage: 1.6KV
- Operating temperature: -40°C to +115°C
- Safety Approval: 
- Critical dimension: 

**KT xx 0 1 x 2 xxxx G**

No. OF POLES  
02: 2 POLES  
:  
16: 16 POLES

#### COLOR

- 0 Black (RAL9005)
- 5 Green(RAL6018/T)
- 6 Blue (RAL5015/A)
- 8 Grey(RAL7035/D)
- C Green(RAL6018/U)

G: Pb=40000ppm  
0000: "@" Logo (Standard)  
000A: "ANYTEK" Mark  
Any special item by customer request.  
please contact sales department.

N = Number of poles

Dimension

Dim.A	N × 7.62
Dim.B	(N-1) × 7.62
Dim.C	(N+1) × 7.62
Dim.D	(N + 2) × 7.62

Poles	Tolerance
2P-5P	±0.20
6P-10P	±0.30
11P-16P	±0.40

# ANYTEK

## CUSTOMER COPY

ALL RIGHTS RESERVED. REPRODUCTION OR ISSUE TO THIRD PARTIES IN ANY FORM WHATSOEVER IS NOT PERMITTED WITHOUT WRITTEN AUTHORITY FROM THE PROPRIETOR. PROPERTY OF ANYTEK TECHNOLOGY CO., LTD

TITLE		KT 7.62 Series 2P-16P " - " Screw ( Flange With Nut )					
PART NO.		KTxx01x2xxxxG		DWG NO.		8KT0014	
APPROVED		CHECKED	DESIGNED	DRAWN	CUST NO.		Tolerance
			Aaron 2011.10.18	Aaron 2011.10.18			X. ±0.50
						X.X ±0.30	
						X.XX ±0.10	
						X° ±1°	
						UNIT: mm	
						SCALE: NONE	
						SHEET: 01/01	
						REV.: B	

## Looking for pricing, stock, or lifecycle information?

Click below to explore more details on WIN SOURCE:

 [View KT0801520000G on WIN SOURCE](#)

 [Amphenol Anytek Information](#)

## Optimize Your Supply Chain with WIN SOURCE Solutions

-  Global Sourcing Solution
-  Obsolete Management
-  Cost Control Management
-  Shortage Management
-  Alternative Solution
-  Excess Inventory Management