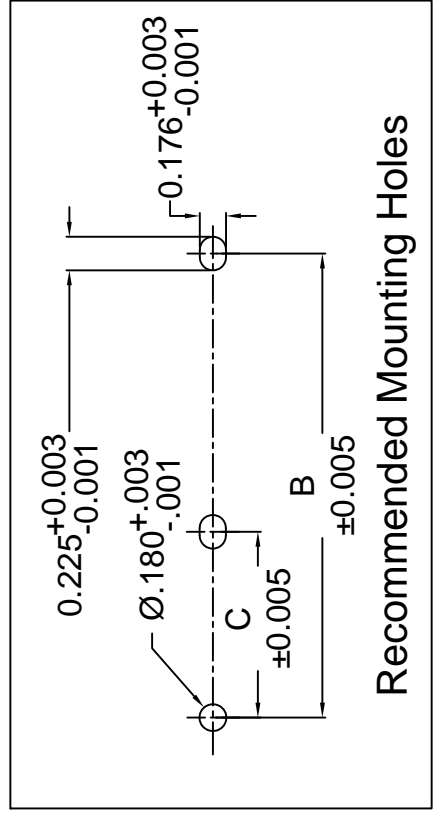
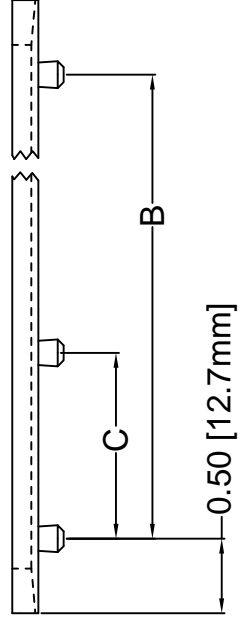
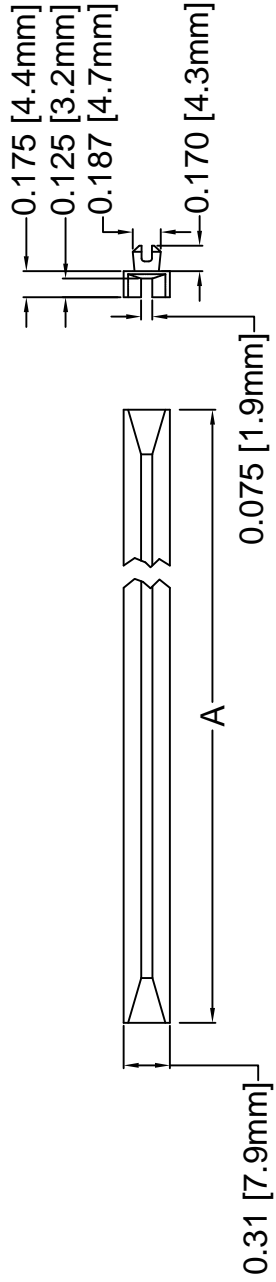




THE DATASHEET OF SDC-400



| | |
|------|---------------------|
| REV. | |
| J | Engineering Release |
| K | Removed Material C |
| | |
| | |



| PART NO. | A |
|----------|--------------|
| SDC-200 | ±.032 (.8) |
| SDC-250 | 2.0 (50.8) |
| SDC-300 | 2.5 (63.5) |
| SDC-350 | 3.0 (76.2) |
| SDC-400 | 3.5 (88.9) |
| SDC-450 | 4.0 (101.6) |
| SDC-500 | 4.5 (114.3) |
| SDC-550 | 5.0 (127.0) |
| SDC-600 | 5.5 (139.7) |
| SDC-650 | 6.0 (152.4) |
| SDC-700 | 6.5 (165.1) |
| SDC-750 | 7.0 (177.8) |
| SDC-800 | 7.5 (190.5) |
| SDC-850 | 8.0 (203.2) |
| SDC-900 | 8.5 (215.9) |
| SDC-950 | 9.0 (228.6) |
| SDC-1000 | 9.5 (241.3) |
| SDC-1050 | 10.0 (254.0) |
| SDC-1100 | 10.5 (266.7) |
| | 11.0 (279.4) |

STANDARD TOLERANCES
(UNLESS OTHERWISE SPECIFIED)

| | |
|------------|--------|
| DECIMALS | ANGLES |
| .X ±.1 | X° |
| .XX ±.01 | |
| .XXX ±.005 | |


DESIGNED: **D. Green** DATE: **11/2**

CHECKED: **M. Chen** DATE: **11/2**

3. ALL DIMENSIONS IN INCHES, UNLESS OTHERWISE SPECIFIED.
2. MATERIAL: NYLON 66, 94V-2, NATURAL.
1. GENERAL SPECIFICATIONS: BIVAR MOLDED COMPONENT SPECIFICATION BV00-E101.

Looking for pricing, stock, or lifecycle information?

Click below to explore more details on WIN SOURCE:

 [View SDC-400 on WIN SOURCE](#)

 [Bivar Inc. Information](#)

Optimize Your Supply Chain with WIN SOURCE Solutions

-  Global Sourcing Solution
-  Obsolete Management
-  Cost Control Management
-  Shortage Management
-  Alternative Solution
-  Excess Inventory Management