

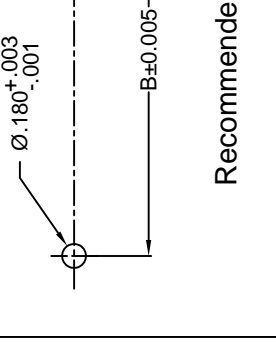
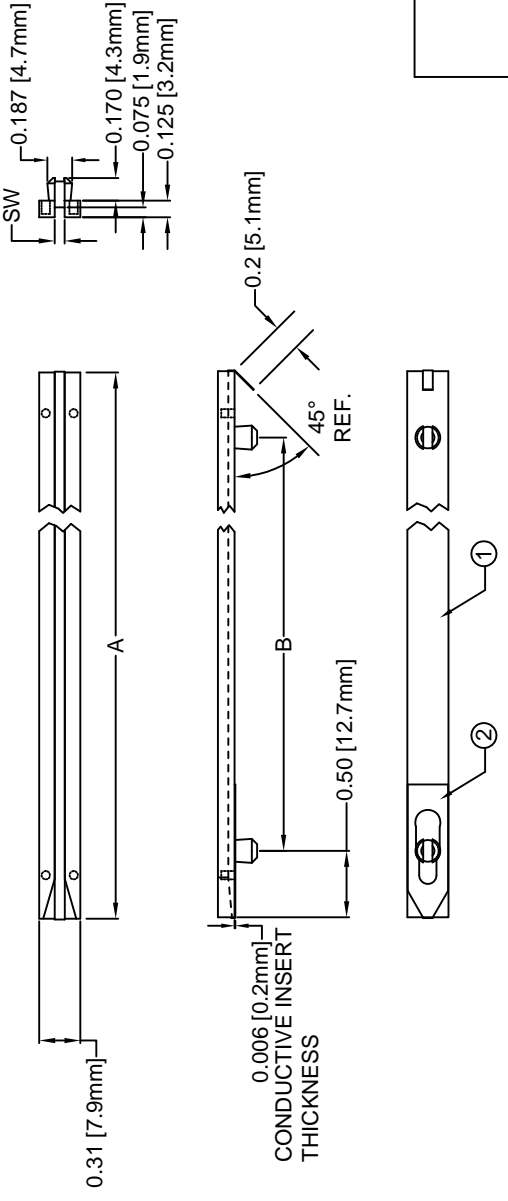


**THE DATASHEET OF
SSD-700-CI**



| ITEM | QTY | PART NUMBER | PART DESCRIPTION |
|------|-----|----------------|------------------------------------|
| 1 | 1 | SSD-XXX-XXX | Interchangeable Snap-In Card Guide |
| 2 | 1 | CS-600-F XX.XX | Conductive Insert, Stainless Steel |

| REV. | Engineering Release |
|------|---------------------|
| D | Engineering Release |
| E | Engineering Update |
| | |
| | |



| PART NO. | A ±0.032 (.8) | B ±0.016 (.4) | Conductive Insert |
|----------------|------------------|------------------|-------------------|
| SSD-250-CI | 2.5 (63.5) | 1.5 (38.1) | CS-600-F 10.75 |
| SSD-300-CI | 3.0 (76.2) | 2.0 (50.8) | CS-600-F 10.75 |
| SSD-350-CI | 3.5 (88.9) | 2.5 (63.5) | CS-600-F 10.75 |
| SSD-400-CI | 4.0 (101.6) | 3.0 (76.2) | CS-600-F 10.75 |
| SSD-450 3X-CI | 4.5 (114.3) | 3.0 (76.2) | CS-600-F 10.75 |
| SSD-450-CI | 4.5 (114.3) | 3.5 (88.9) | CS-600-F 10.75 |
| SSD-500-CI | 5.0 (127.0) | 4.0 (101.6) | CS-600-F 10.75 |
| SSD-550-CI | 5.5 (139.7) | 4.5 (114.3) | CS-600-F 10.75 |
| SSD-600-CI | 6.0 (152.4) | 5.0 (127.0) | CS-600-F 10.75 |
| SSD-650-CI | 6.5 (165.1) | 5.5 (139.7) | CS-600-F 10.75 |
| SSD-700-CI | 7.0 (177.8) | 6.0 (152.4) | CS-600-F 10.75 |
| SSD-750-CI | 7.5 (190.5) | 6.5 (165.1) | CS-600-F 10.75 |
| SSD-800-CI | 8.0 (203.2) | 7.0 (177.8) | CS-600-F 10.75 |
| SW=0.075 (1.9) | SW=0.102 (2.6) | | |

STANDARD TOLERANCES
(UNLESS OTHERWISE SPECIFIED)

| | |
|------------|---------|
| DECIMALS | ANGULAR |
| .X ±.1 | X° |
| .XX ±.01 | |
| .XXX ±.005 | |

| | |
|----------------|--------------|
| DESIGNED: | DATE: |
| R. Paje | 05/0/ |
| CHECKED: | DATE: |
| T. Yin | 05/0/ |

Looking for pricing, stock, or lifecycle information?

Click below to explore more details on WIN SOURCE:

 [View SSD-700-CI on WIN SOURCE](#)

 [Bivar Inc. Information](#)

Optimize Your Supply Chain with WIN SOURCE Solutions

-  Global Sourcing Solution
-  Obsolete Management
-  Cost Control Management
-  Shortage Management
-  Alternative Solution
-  Excess Inventory Management