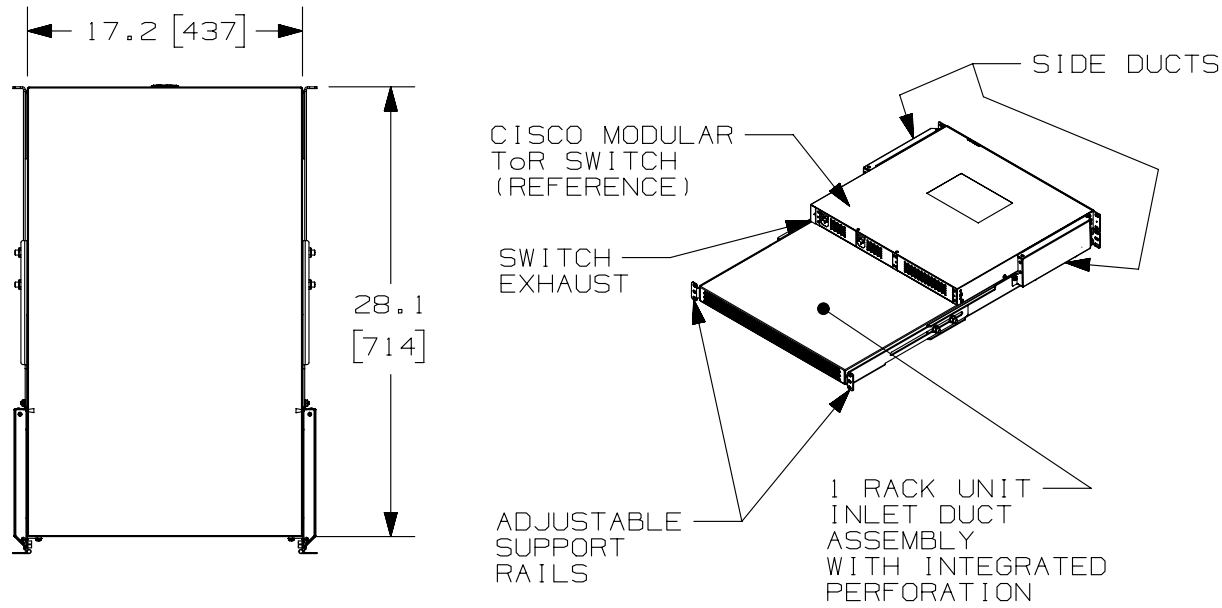


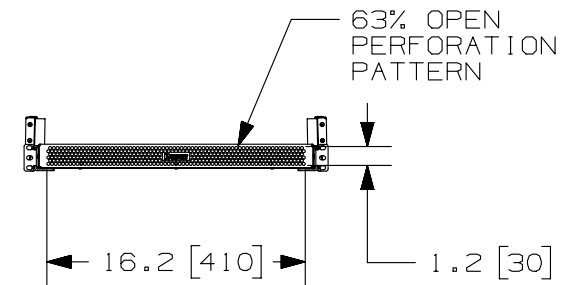
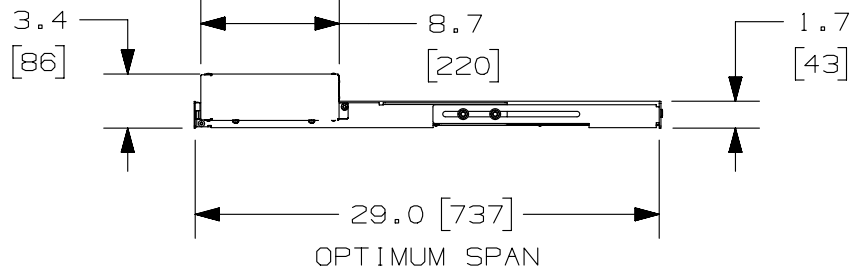
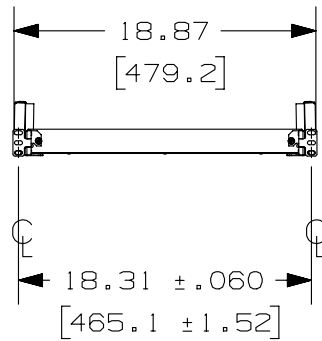
THIS COPY IS PROVIDED ON A RESTRICTED BASIS AND IS NOT TO BE USED IN ANY WAY DETRIMENTAL TO THE INTERESTS OF PANDUIT CORP.



PANDUIT PART NO.	WEIGHT
CDE1	15.0 LBS/EACH 6.8 kg/EACH

NOTES:

- DIMENSIONS IN PARENTHESIS ARE METRIC (mm).
- PARTS SUPPLIED:
 - INLET DUCT ASSEMBLY
 - SIDE DUCTS WITH SUPPORT RAILS
 - MOUNTING HARDWARE KIT
 - CMPHF1 D-RING CABLE MANAGER
- SUPPORT RAILS ADJUST FROM 27.0" TO 29.0" DEPTH.



REV	DATE	BY	CHK	APR	DESCRIPTION	ECN
08A	03/05/13	PJST			RELEASED TO PRODUCTION	V10683AE

TITLE		MODULAR ToR SWITCH INLET DUCT (CDE1)		
CONTROL DRAWING				
ITEM REVISION NAME		V10683AE/08		
DATASET FILE NAME		V10683AE_DC/08A		
MATERIAL:		N/A		
DRAWING NUMBER:		V10683AE		
DRAWN BY	DATE	CHK	SCALE	SIZE
RCHA/L EE	05/14/09		N/A	A
SHT 1 OF 2				

2

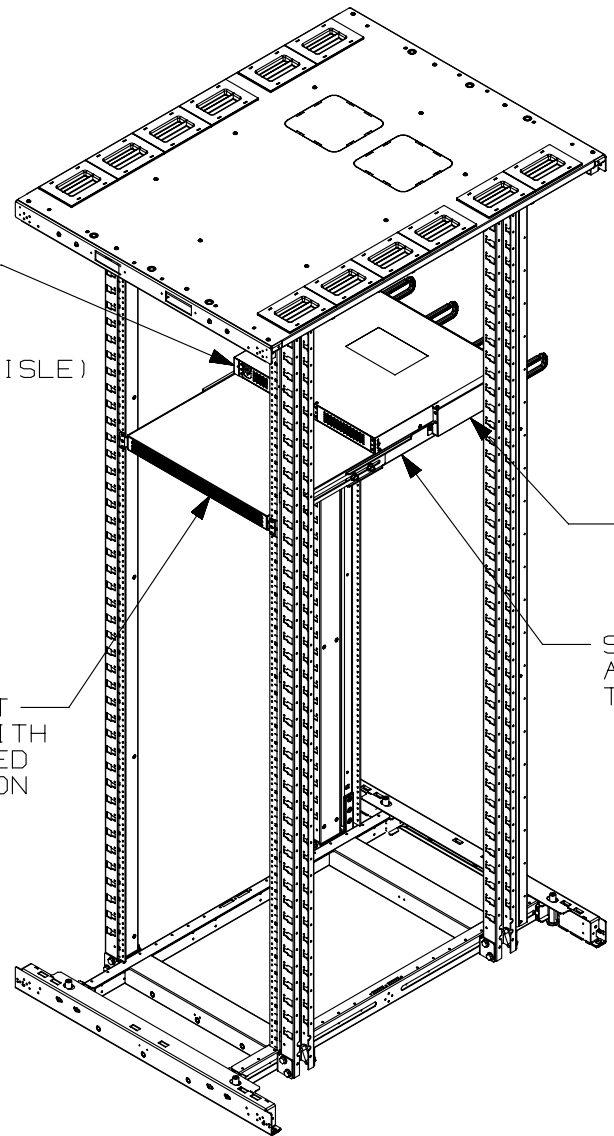
1

THIS COPY IS PROVIDED ON A RESTRICTED BASIS AND IS NOT TO BE USED IN ANY WAY DETRIMENTAL TO THE INTERESTS OF PANDUIT CORP.

B

EXHAUST OF CISCO MODULAR ToR SWITCH (REFERENCE) (FACES COLD AISLE)

1 RU INLET DUCTING WITH INTEGRATED PERFORATION



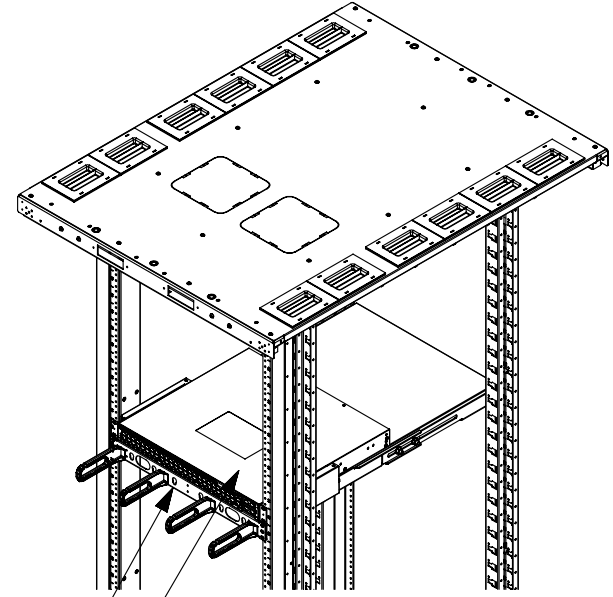
FRONT OF CABINET (FACES COLD AISLE)

SIDE DUCT WITH SUPPORT RAILS

SUPPORT RAILS ADJUST FROM 27.0" TO 29.0" DEPTH

D-RING CABLE MANAGER (INSTALLATION IS OPTIONAL)

B



CISCO MODULAR ToR SWITCH (REFERENCE) (FACES HOT AISLE)
REAR OF CABINET (FACES HOT AISLE)

A

A

TITLE		MODULAR ToR SWITCH INLET DUCT (CDE1)		
CUSTOMER DRAWING				
ITEM REVISION NAME	V10683AE/08	PANDUIT		
DATASET FILE NAME	V10683AE_DC/08A			
MATERIAL:		N/A		
DRAWING NUMBER:		V10683AE		
DRAWN BY	DATE	CHK	SCALE	SIZE
RCHA/L EE	05/14/09		N/A	A
SHT 2 OF 2				

08A	03/05/13	PJST		RELEASED TO PRODUCTION	V10683AE	
REV	DATE	BY	CHK	APR	DESCRIPTION	ECN

2

Looking for pricing, stock, or lifecycle information?

Click below to explore more details on WIN SOURCE:

 [View SVPDUB on WIN SOURCE](#)

 [Panduit Corp Information](#)

Optimize Your Supply Chain with WIN SOURCE Solutions

-  Global Sourcing Solution
-  Obsolete Management
-  Cost Control Management
-  Shortage Management
-  Alternative Solution
-  Excess Inventory Management