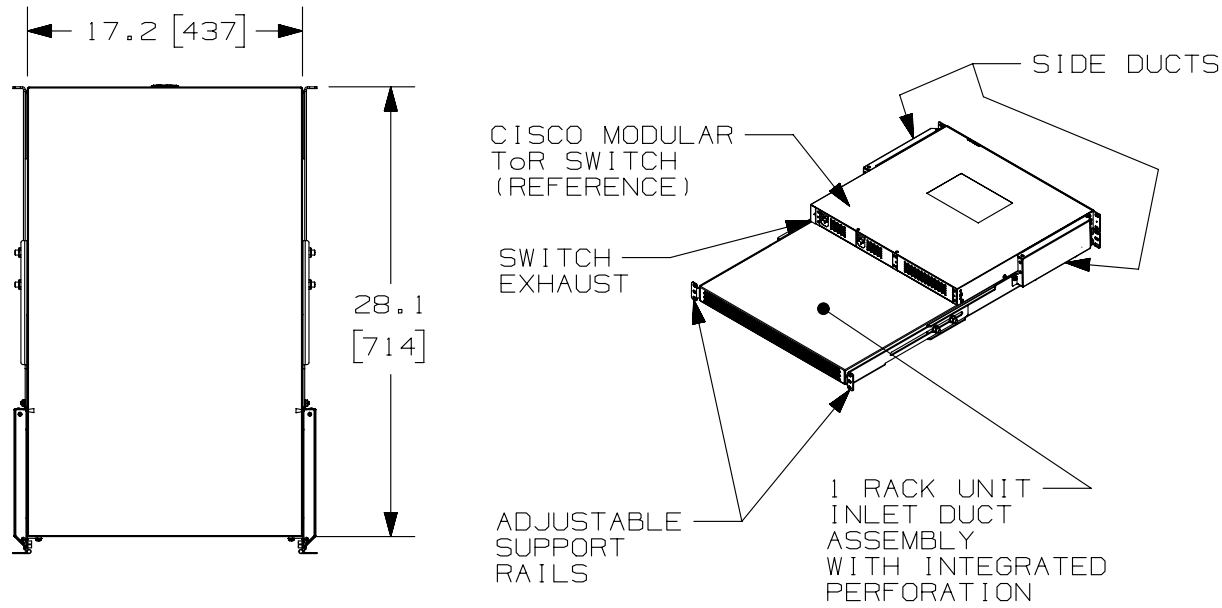


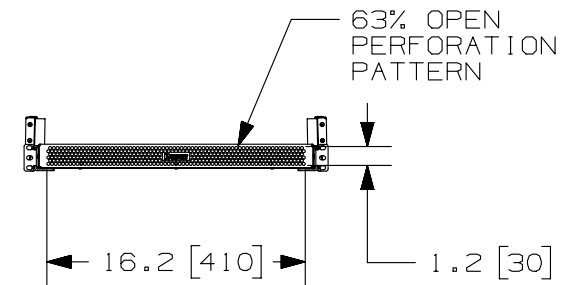
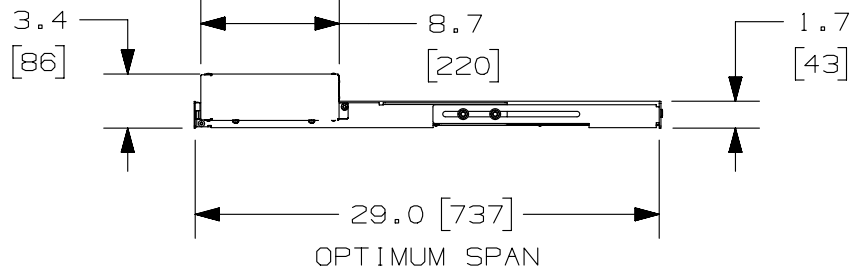
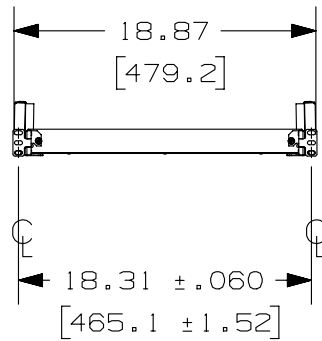
THIS COPY IS PROVIDED ON A RESTRICTED BASIS AND IS NOT TO BE USED IN ANY WAY DETRIMENTAL TO THE INTERESTS OF PANDUIT CORP.



PANDUIT PART NO.	WEIGHT
CDE1	15.0 LBS/EACH 6.8 kg/EACH

NOTES:

- DIMENSIONS IN PARENTHESIS ARE METRIC (mm).
- PARTS SUPPLIED:
 - INLET DUCT ASSEMBLY
 - SIDE DUCTS WITH SUPPORT RAILS
 - MOUNTING HARDWARE KIT
 - CMPHF1 D-RING CABLE MANAGER
- SUPPORT RAILS ADJUST FROM 27.0" TO 29.0" DEPTH.



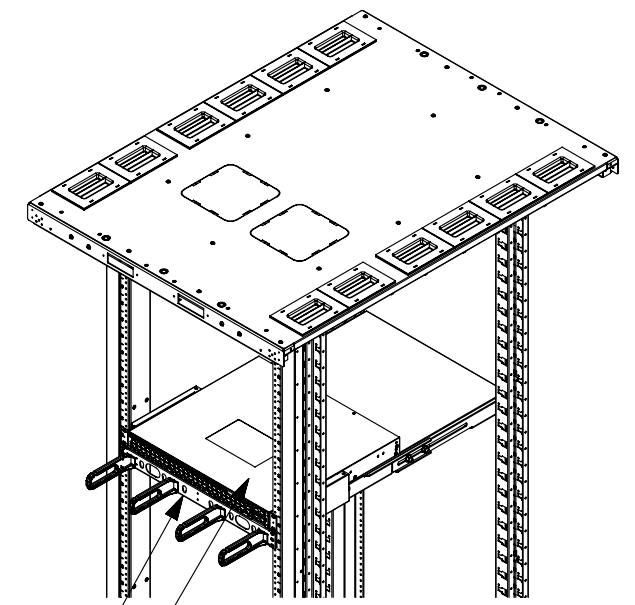
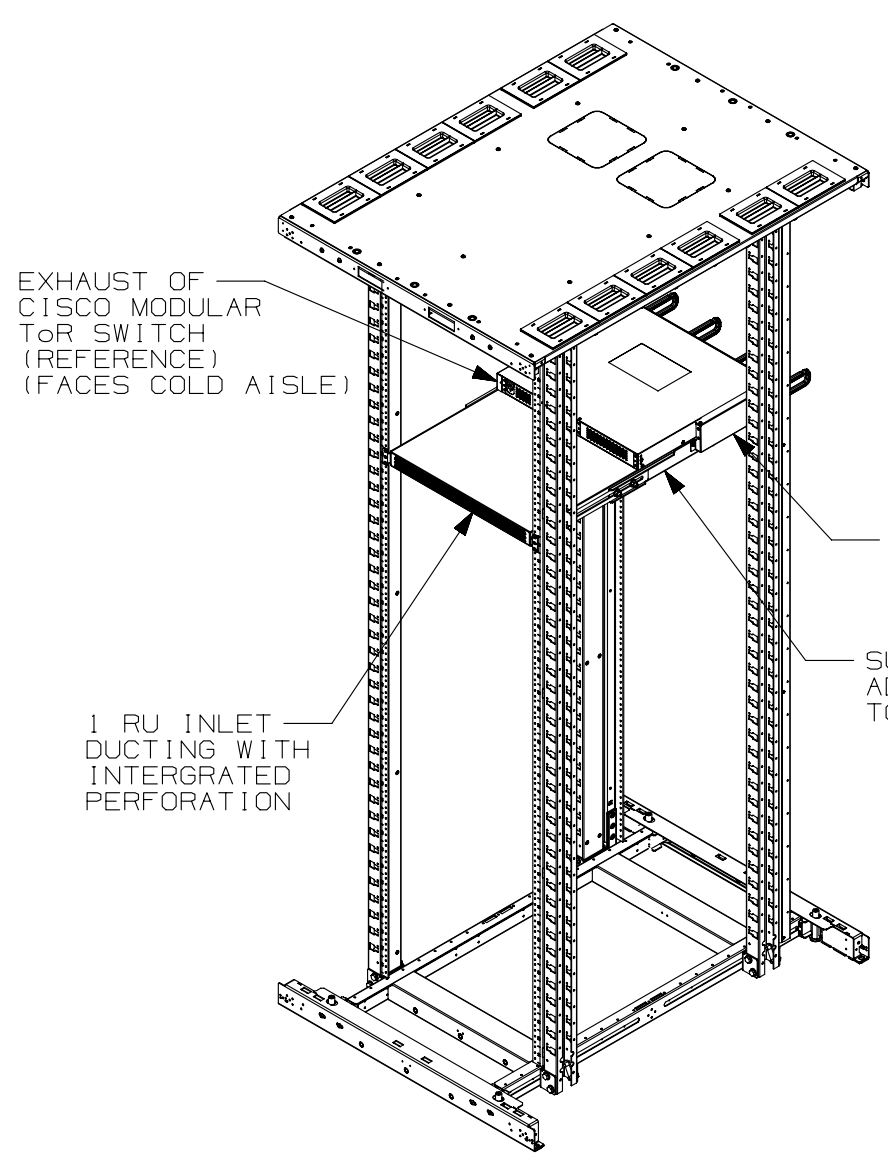
REV	DATE	BY	CHK	APR	DESCRIPTION	ECN
08A	03/05/13	PJST			RELEASED TO PRODUCTION	V10683AE

TITLE MODULAR ToR SWITCH INLET DUCT (CDE1)		PANDUIT
CONTROL DRAWING		
ITEM REVISION NAME V10683AE/08		MATERIAL: N/A
DATASET FILE NAME V10683AE_DC/08A		
DRAWING NUMBER: V10683AE		DRAWING NUMBER: SHT 1 OF 2
DRAWN BY RCHA/L EE	DATE 05/14/09	
		SIZE A

2

1

THIS COPY IS PROVIDED ON A RESTRICTED BASIS AND IS NOT TO BE USED IN ANY WAY DETRIMENTAL TO THE INTERESTS OF PANDUIT CORP.





TITLE		MODULAR ToR SWITCH INLET DUCT (CDE1)		
CUSTOMER DRAWING				
ITEM REVISION NAME	V10683AE/08	PANDUIT		
DATASET FILE NAME	V10683AE_DC/08A			
MATERIAL:		N/A		
DRAWING NUMBER:		V10683AE		
DRAWN BY	DATE	CHK	SCALE	SIZE
RCHA/L EE	05/14/09		N/A	A
SHT 2 OF 2				

08A	03/05/13	PJST		RELEASED TO PRODUCTION	V10683AE	
REV	DATE	BY	CHK	APR	DESCRIPTION	ECN

2

Looking for pricing, stock, or lifecycle information?

Click below to explore more details on WIN SOURCE:

-  [View SVPPB on WIN SOURCE](#)
-  [Panduit Corp](#) Information

Optimize Your Supply Chain with WIN SOURCE Solutions

-  Global Sourcing Solution
-  Obsolete Management
-  Cost Control Management
-  Shortage Management
-  Alternative Solution
-  Excess Inventory Management