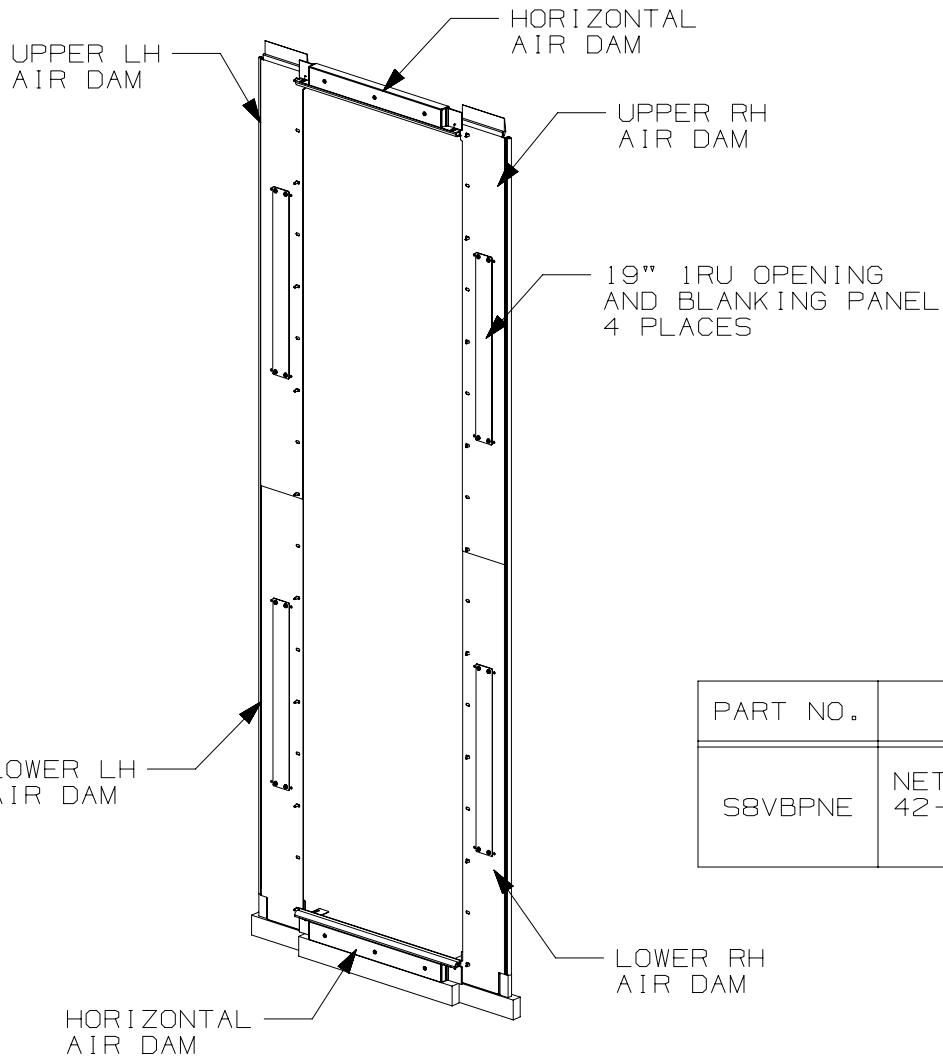




THE DATASHEET OF S8VBPNE



THIS COPY IS PROVIDED ON A RESTRICTED BASIS AND IS NOT TO BE USED IN ANY WAY DETRIMENTAL TO THE INTERESTS OF PANDUIT CORP.



1. VISIT OUR ON-LINE CATALOG AT WWW.PANDUIT.COM FOR A LIST OF CURRENT PARTS APPLICABLE FOR USE WITH THIS PRODUCT.
2. PARTS SUPPLIED:
 - 1- UPPER RH AIR DAM
 - 1- UPPER LH AIR DAM
 - 1- LOWER RH AIR DAM
 - 1- LOWER LH AIR DAM
 - 2- HORIZONTAL AIR DAM
 - 4- 19" 1RU BLANKING PANEL
 - 1- VERTICAL BLANKING PANEL FOR TOP HAT (NOT SHOWN)
 - 1- ADJUSTABLE BLANKING PANEL PLATE RH (NOT SHOWN)
 - 1- ADJUSTABLE BLANKING PANEL PLATE LH (NOT SHOWN)
 - 1- CENTER SEALING BRACKET (NOT SHOWN)
 - 1- CABINET SEALING BRACKET (NOT SHOWN)
 - 1- INSTRUCTION SHEET (NOT SHOWN)
3. PRIMARY DIMENSIONS ARE IN MILLIMETERS.

PART NO.	DESCRIPTION	WEIGHT
S8VBPNE	NET-ACCESS ENHANCED AIR DAM FOR 42-48 RU UNIVERSAL 800MM S-TYPE CABINETS	9.1 Kg/EACH 20.0 [LBS/EACH]

NOTE: S8VBPNE TO BE PAINTED BLACK

TITLE		NET-ACCESS ENHANCED AIR DAM - (S8VBPNE)	
CUSTOMER DRAWING			
ITEM REVISION NAME		00057EDA/00	
DATASET FILE NAME		00057EDA_DC/00A	
MATERIAL:		N/A	
DRAWING NUMBER:		00057EDA-DC	
THIRD ANGLE PROJECTION			
DRAWN BY	DATE	CHK	SCALE
MEX-JAGC	10/26/17	EWSA	NONE
SHT 1 OF 2		A	

REV	DATE	BY	CHK	APR	DESCRIPTION	ECN
00A	10/26/17	MEX-JAGC	EWSA	ELE	DRAWING RELEASE	V09001KY

D10100DA/20

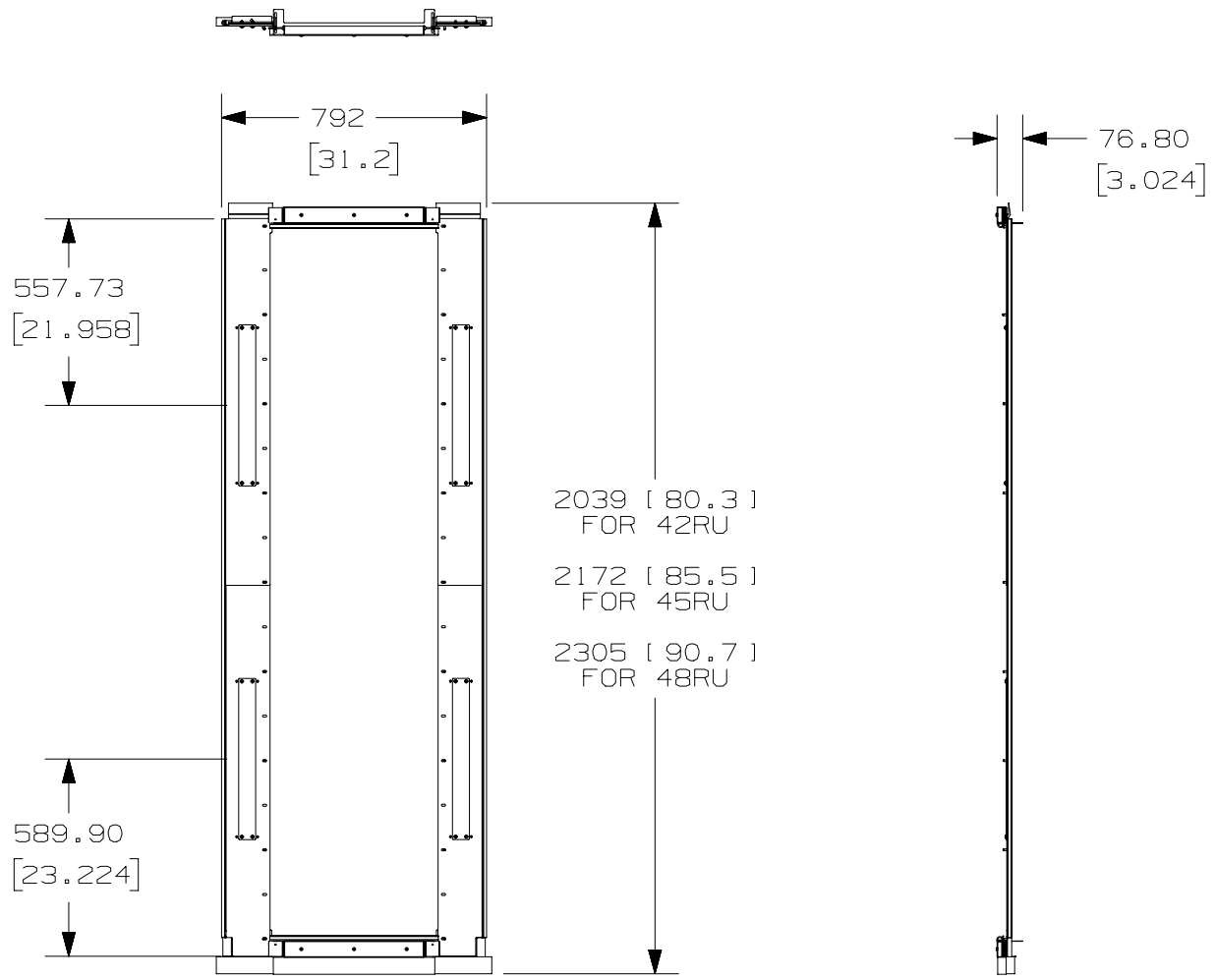
2

1

2

1

THIS COPY IS PROVIDED ON A RESTRICTED BASIS AND IS NOT TO BE USED IN ANY WAY DETRIMENTAL TO THE INTERESTS OF PANDUIT CORP.



00A	10/26/17	MEX-JAGC	EWSA	ELE	DRAWING RELEASE				V09001KY
REV	DATE	BY	CHK	APR	DESCRIPTION	ECN			

TITLE									
NET-ACCESS ENHANCED AIR DAM - (S8VBPNE)									
CUSTOMER DRAWING									
ITEM REVISION NAME								00057EDA/00	
DATASET FILE NAME								00057EDA_DC/00A	
MATERIAL:								N/A	
DRAWING NUMBER:								00057EDA-DC	
DRAWN BY MEX-JAGC				DATE 10/26/17		CHK EWSA		SCALE NONE	
REV				DATE		BY		CHK	
00A				10/26/17		MEX-JAGC		EWSA	
DESCRIPTION				ECN		DRAWING NUMBER		SHT 2 OF 2	
DRAWING RELEASE				V09001KY		00057EDA-DC		A	

D10100DA/20

2

1

2

1

Looking for pricing, stock, or lifecycle information?

Click below to explore more details on WIN SOURCE:

 [View S8VBPNE on WIN SOURCE](#)

 [Panduit Corp](#) Information

Optimize Your Supply Chain with WIN SOURCE Solutions

-  Global Sourcing Solution
-  Obsolete Management
-  Cost Control Management
-  Shortage Management
-  Alternative Solution
-  Excess Inventory Management