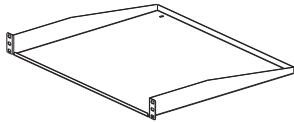


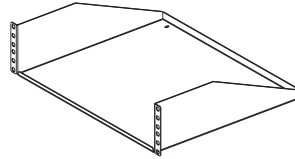


THE DATASHEET OF SRM19FM2

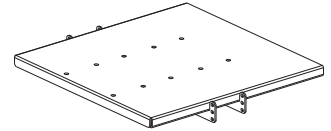




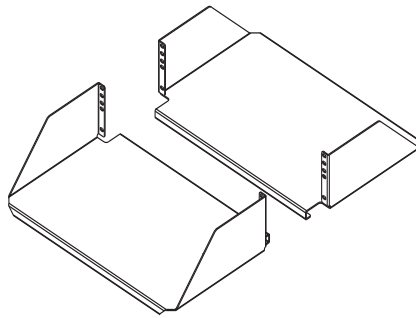
SRM19FM1
(4) #12-24 screws



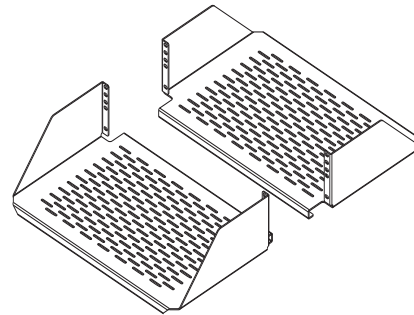
SRM19FM2
(4) #12-24 screws



SRM19X18A1
SRM19X25A1
(4) #12-24 screws

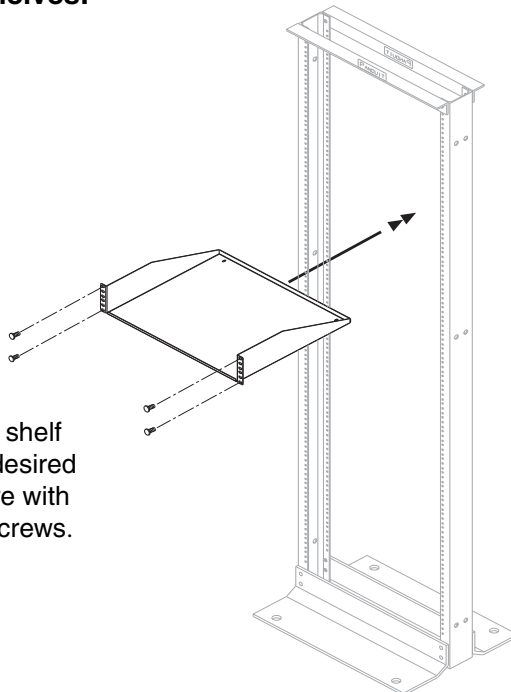


SRM19CM3
(8) #12-24 screws

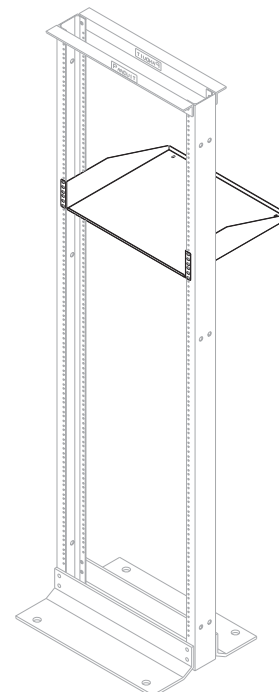


SRM19CMV3
(8) #12-24 screws

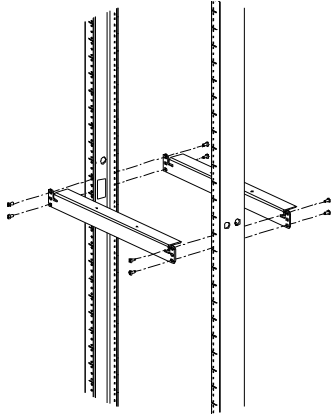
For Rack Mount Shelves:
SRM19FM1
SRM19FM2



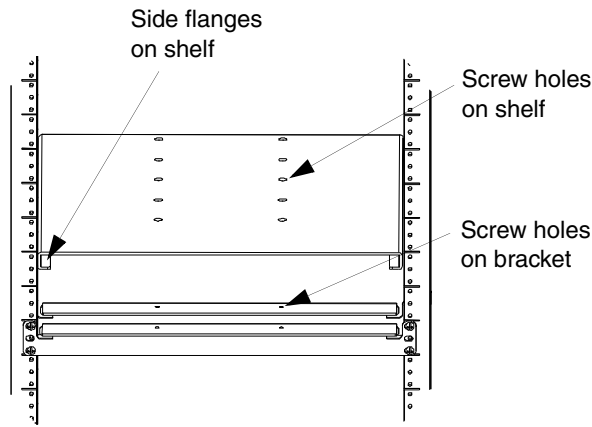
Attach rack mount shelf to the rack at the desired location and secure with provided #12-24 screws.



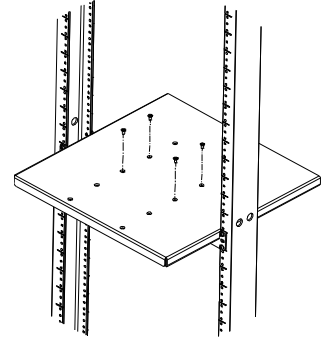
**For Rack Mount Shelves:
SRM19X18A1
SRM19X25A1**



Line up shelf bracket flange holes with desired position on rack. Secure each bracket with provided #12-24 screws.

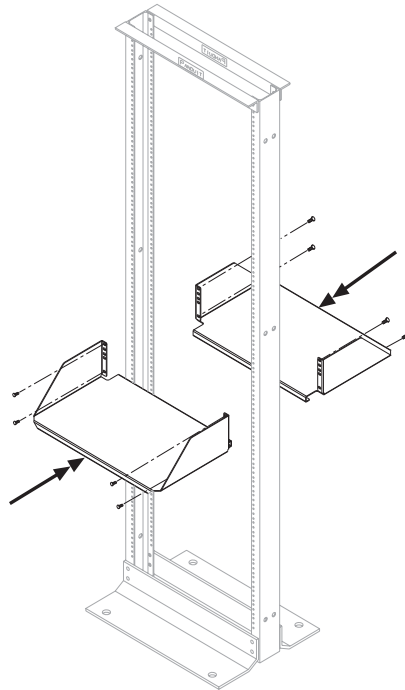


Slide side flanges of shelf through notches in brackets until screw holes line up at the desired location.

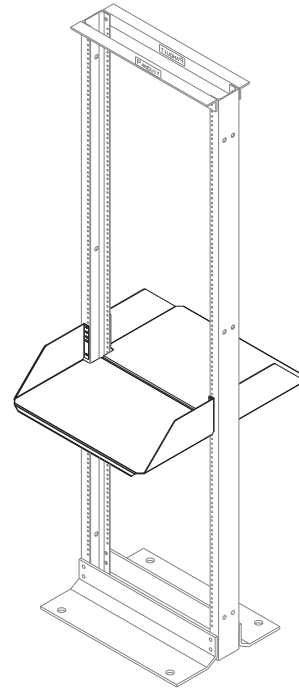


Secure shelf in place with (4) provided #10-32 screws.

**For Rack Mount Shelves:
SRM19CM3
SRM19CMV3**





Attach rack mount shelf to the rack at the desired location and secure with provided #12-24 screws. (SRM19CM3 shown)



Looking for pricing, stock, or lifecycle information?

Click below to explore more details on WIN SOURCE:

-  [View SRM19FM2 on WIN SOURCE](#)
-  [Panduit Corp](#) Information

Optimize Your Supply Chain with WIN SOURCE Solutions

-  Global Sourcing Solution
-  Obsolete Management
-  Cost Control Management
-  Shortage Management
-  Alternative Solution
-  Excess Inventory Management