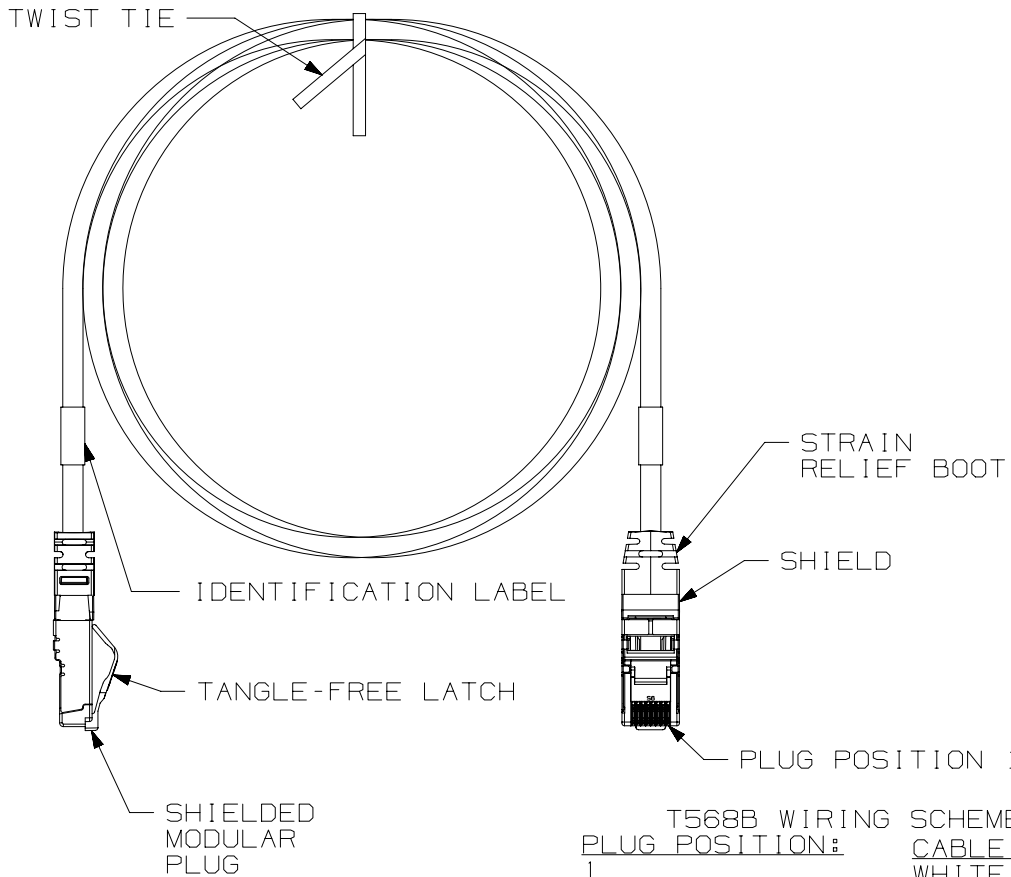




THE DATASHEET OF STP6X22MYL



THIS COPY IS PROVIDED ON A RESTRICTED BASIS AND IS NOT TO BE USED IN ANY WAY DETRIMENTAL TO THE INTERESTS OF PANDUIT CORP.



NOTES:

- **1. SEE CURRENT CATALOG FOR VARIOUS APPLICATIONS AND TO INDICATE COLOR AND OR PACKAGE QUANTITY.
- 2. SEE CATALOG FOR A COMPLETE LIST OF PARTS APPLICABLE FOR USE WITH THIS PART.
- 3. TERMINATED WITH (8 POSITION) SHIELDED MODULAR PLUGS AT BOTH ENDS PER T568B.
- 4. CONSTRUCTED WITH 26AWG STRANDED CAT6A FULLY SHIELDED, TWISTED PAIR LSZH/CM S/FTP PATCH CABLE.
- 5. NOMINAL CABLE JACKET DIAMETER IS 0.248 IN (6.30MM).
- 6. MATERIALS:
 PLUG: POLYCARBONATE
 PLUG SHIELD: PLATED CARTRIDGE BRASS
 CABLE SHIELD: ALUMINUM
 BOOT: TPE

| CABLE COLORS | ** = COLOR |
|--------------------|------------|
| INTERNATIONAL GRAY | IG |
| BLACK | BL |
| BLUE | BU |
| RED | RD |
| YELLOW | YL |
| GREEN | GR |
| ORANGE | OR |
| VIOLET | VL |
| PASTEL BLUE | PB |

T568B WIRING SCHEME
 PLUG POSITION:
 1
 2
 3
 4
 5
 6
 7
 8

CABLE WIRE:
 WHITE/ORANGE
 ORANGE
 WHITE/GREEN
 BLUE
 WHITE/BLUE
 GREEN
 WHITE/BROWN
 BROWN

SEE SHEET 2 FOR PATCH CORD LENGTHS AND PART NUMBERS

| | | | |
|---|---------|-------------------|-------|
| PART NUMBER | | STP6X** | |
| TITLE | | | |
| TX6A 10GIG SHIELDED PATCH CORDS (CM/LSZH) | | | |
| CUSTOMER DRAWING | | | |
| ITEM REVISION NAME | | M02085BA/28 | |
| DATASET FILE NAME | | M02085BA_DC01/28A | |
| UNLESS OTHERWISE SPECIFIED, DIMENSIONAL TOLERANCES ARE: IN [mm] | | MATERIAL: | |
| .x ± .xxx ± .010 [.3] | | SEE NOTE 6 | |
| .xx ± .03 [.8] | | DRAWING NUMBER: | |
| ANGLES ± | | 02085-01 | |
| THIRD ANGLE PROJECTION | | SHT 1 OF 2 | |
| DRAWN BY | DATE | CHK | SCALE |
| MDJr | 8-29-02 | CEF | NONE |
| REV | DATE | BY | CHK |
| | | | |

| REV | DATE | BY | CHK | APR | DESCRIPTION | ECN |
|-----|----------|------|------|------|--|----------|
| 12 | 12-19-17 | MDJR | MATO | SRSE | ADDED PASTEL BLUE COLOR. | 02085-01 |
| 11 | 9-30-15 | BJN | JAV | TMBA | UPDATED | 02085-01 |
| 10 | 4-25-14 | BJN | JSP | EJH | REVISED & REDRAWN PREVIOUS REVISIONS REMVD FOR CLARITY | 02085-01 |

D10100DA/14

THIS COPY IS PROVIDED ON A RESTRICTED BASIS AND IS NOT TO BE USED IN ANY WAY DETRIMENTAL TO THE INTERESTS OF PANDUIT CORP.

TX6A 10GIG SHIELDED PATCH CORDS

| PANDUIT PART NUMBER | MIN. CABLE LENGTH | PANDUIT PART NUMBER | MIN. CABLE LENGTH |
|---------------------|-------------------|---------------------|-------------------|
| STP6X2** | 2 FT. | STP6X0.5M** | 0.5 METER |
| STP6X3** | 3 FT. | STP6X1M** | 1 METER |
| STP6X4** | 4 FT. | STP6X1.5M** | 1.5 METER |
| STP6X5** | 5 FT. | STP6X2M** | 2 METERS |
| STP6X6** | 6 FT. | STP6X2.5M** | 2.5 METER |
| STP6X7** | 7 FT. | STP6X3M** | 3 METERS |
| STP6X8** | 8 FT. | STP6X4M** | 4 METERS |
| STP6X9** | 9 FT. | STP6X5M** | 5 METERS |
| STP6X10** | 10 FT. | STP6X6M** | 6 METERS |
| STP6X11** | 11 FT. | STP6X7M** | 7 METERS |
| STP6X12** | 12 FT. | STP6X8M** | 8 METERS |
| STP6X13** | 13 FT. | STP6X9M** | 9 METERS |
| STP6X14** | 14 FT. | STP6X10M** | 10 METERS |
| STP6X15** | 15 FT. | STP6X15M** | 15 METERS |
| STP6X16** | 16 FT. | STP6X20M** | 20 METERS |
| STP6X17** | 17 FT. | STP6X25M** | 25 METERS |
| STP6X18** | 18 FT. | STP6X30M** | 30 METERS |
| STP6X19** | 19 FT. | STP6X35M** | 35 METERS |
| STP6X20** | 20 FT. | STP6X40M** | 40 METERS |
| STP6X25** | 25 FT. | | |
| STP6X30** | 30 FT. | | |
| STP6X35** | 35 FT. | | |
| STP6X40** | 40 FT. | | |



CROSS-SECTIONAL VIEW OF CABLE

| | | | |
|---|-------------|-------------------|-------|
| PART NUMBER | | STP6X** | |
| TITLE | | | |
| TX6A 10GIG SHIELDED PATCH CORDS (CM/LSZH) | | | |
| CUSTOMER DRAWING | | | |
| ITEM REVISION NAME | | M02085BA/28 | |
| DATASET FILE NAME | | M02085BA_DC01/28A | |
| UNLESS OTHERWISE SPECIFIED, DIMENSIONAL TOLERANCES ARE: IN [mm] | | MATERIAL: | |
| .x ± .xxx ± .010 [.3] | | SEE NOTE 6 | |
| .xx ± .03 [.8] | | DRAWING NUMBER: | |
| ANGLES ± | | 02085-01 | |
| THIRD ANGLE PROJECTION | | SHT 2 OF 2 | |
| DRAWN BY | DATE | CHK | SCALE |
| MDJr | 8-29-02 | CEF | NONE |
| REV | DATE | BY | CHK |
| | | | |
| APR | DESCRIPTION | | ECN |
| | | | |

| REV | DATE | BY | CHK | APR | DESCRIPTION | ECN |
|-----|----------|------|------|------|----------------------------------|----------|
| 12 | 12-19-17 | MDJR | MATO | SRSE | SEE SHEET 1 FOR REVISION HISTORY | 02085-01 |
| 11 | 9-30-15 | BJN | JAV | TMBA | SEE SHEET 1 FOR REVISION HISTORY | 02085-01 |
| 10 | 4-25-14 | BJN | JSP | EJH | SEE SHEET 1 FOR REVISION HISTORY | 02085-01 |

D10100DA/14

Looking for pricing, stock, or lifecycle information?

Click below to explore more details on WIN SOURCE:

 [View STP6X22MYL on WIN SOURCE](#)

 [Panduit Corp Information](#)

Optimize Your Supply Chain with WIN SOURCE Solutions

-  Global Sourcing Solution
-  Obsolete Management
-  Cost Control Management
-  Shortage Management
-  Alternative Solution
-  Excess Inventory Management