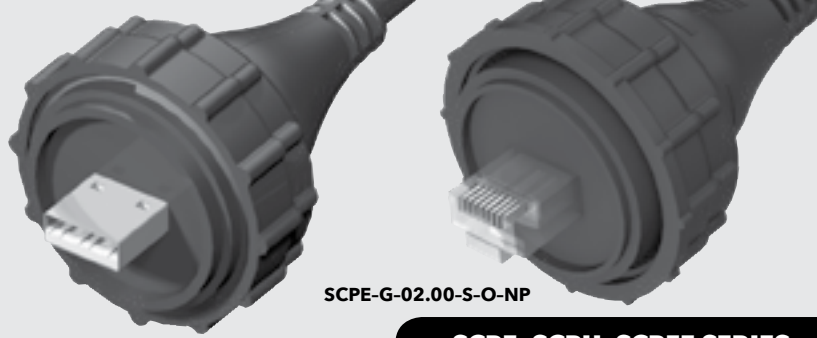




**THE DATASHEET OF
SCRES-G-00.50-D-C5E**





SCPU-17-G-02.00-AMS-AM

SCPE-G-02.00-S-O-NP

SCPE, SCPU, SCPFE SERIES

IP68 SEALED USB & ETHERNET PLUGS

Mates with:
SCRES

SPECIFICATIONS

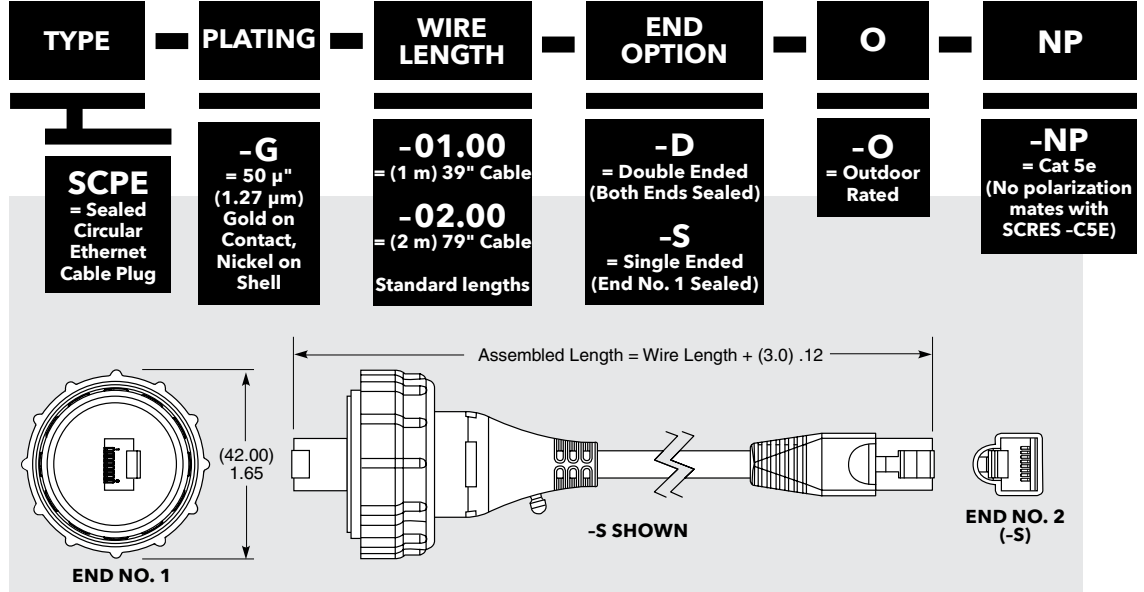
For complete specifications see www.samtec.com?SCPE

- Insulator Material:** Polycarbonate
- Contact Material:** Phosphor Bronze
- Shield Material:** Phosphor Bronze
- Wire:** 24 AWG
- Overmold:** PA66 GF13 FR
- Current Rating:** 3.8 A per pin (1 pin powered)
- Operating Temp Range:** -40 °C to +70 °C
- RoHS Compliant:** Yes

DUST CAP

- DCA-17-02

Note:
Some lengths, styles and options are non-standard, non-returnable.



FIELD TERMINATION KIT

- Ethernet Field Termination Kit available for long cable run and small-opening applications so housings can be customer-installed after the runs are complete.
- SCPFE-17-G-01 Series (For cable outside diameter range of 5.00-5.75 mm)
- SCPFE-17-G-02 Series (For cable outside diameter range of 5.75-6.50 mm)

ALSO AVAILABLE (MOQ REQUIRED)

- Other wire lengths

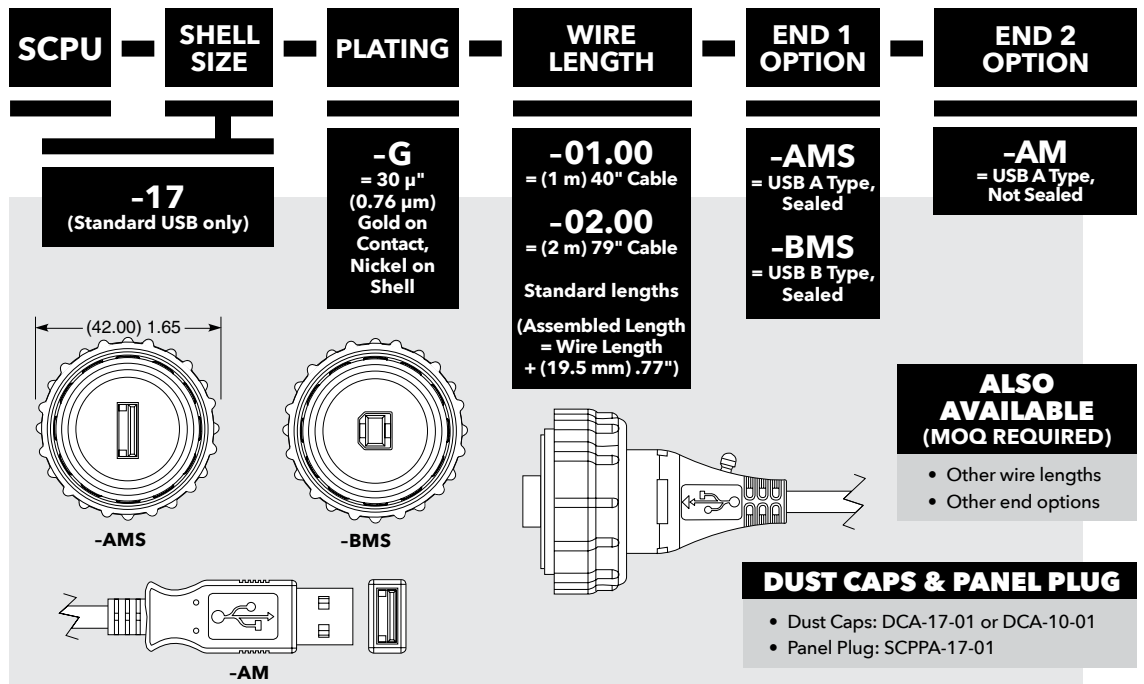
Mates with:
SCRUS

SPECIFICATIONS

For complete specifications see www.samtec.com?SCPU

- Insulator Material:** Glass Filled Thermoplastic
- Contact Material:** Copper Alloy
- Shield Material:** CRS
- Wire:** 20 AWG (Power), 25 AWG (Signal), 28 AWG (Drain)
- Sealed Overmold:** PA66 GF13 FR
- Operating Temp Range:** -20 °C to +75 °C
- RoHS Compliant:** Yes

Note:
Some lengths, styles and options are non-standard, non-returnable.



ALSO AVAILABLE (MOQ REQUIRED)

- Other wire lengths
- Other end options

DUST CAPS & PANEL PLUG

- Dust Caps: DCA-17-01 or DCA-10-01
- Panel Plug: SCPPA-17-01

Looking for pricing, stock, or lifecycle information?

Click below to explore more details on WIN SOURCE:

 [View SCRES-G-00.50-D-C5E on WIN SOURCE](#)

 [Samtec Inc. Information](#)

Optimize Your Supply Chain with WIN SOURCE Solutions

-  Global Sourcing Solution
-  Obsolete Management
-  Cost Control Management
-  Shortage Management
-  Alternative Solution
-  Excess Inventory Management