



**THE DATASHEET OF
SGTM3S10-C0**

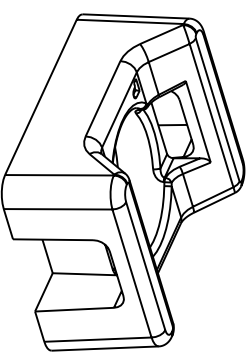
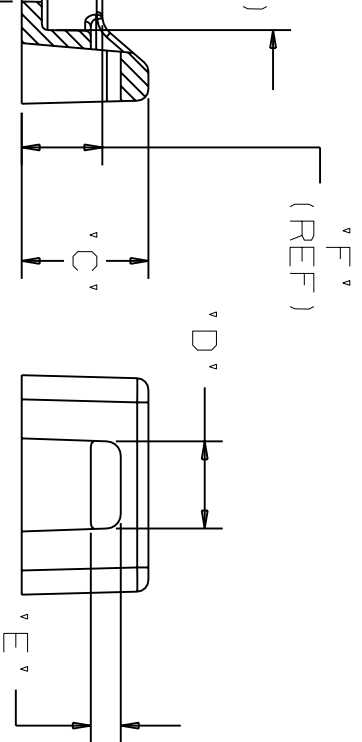
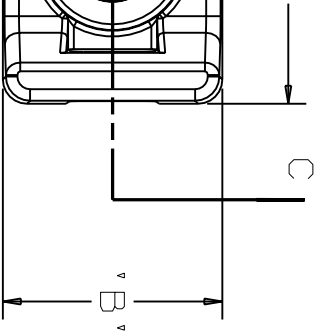


A RESTRICTED BASIS AND IS NOT TO BE USED IN ANY WAY DETRIMENTAL TO THE INTERESTS OF PANDUIT CORP.

REC'D M STENER 3 (M3) SCREW	DIMENSIONS										WEIGHT	
	'A'	'B'	'C'	'D'	'E'	'F'	'G'	'H'	'J'	lbs (g)	100 pcs	
	0.51 (12.95)	0.38 (9.65)	0.22 (5.6)	0.151 (3.84)	0.051 (1.30)	0.14 (3.56)	0.10 (2.54)	0.257 (6.53)	0.153 (3.90)	0.78 (353.8)		

USE WITH THESE
CABLE TIE
CROSS SECTIONS

M,
SG100M



DIMENSIONS IN BRACKETS ARE METRIC (mm)

CAD FILENAME/LAYERS G03150F_J_PB_SGTM156_00

PANDUIT CORP. TINLEY PARK, ILLINOIS

TIE MOUNT FOR SUPER GRIP TIES
(SGTM156- _ TMSG156- _)

UNLESS OTHERWISE SPECIFIED,
DIMENSIONAL TOLERANCES ARE:
(.X) ±0.05 (1.3) (.XXX) ±0.010 (0.25)
(.XX) ±0.02 (0.5) ANGLES 15°

UNLESS OTHERWISE SPECIFIED,
ALL DIMENSIONS ARE GIVEN
IN INCHES, THIRD ANGLE
PROJECTION.

DRAWN BY JAD MAT'L: SCALE 4X

DATE 8/17/06

NYLON 6/6

DWG NO. GB3150F J A
SIZE

INITIAL RELEASE
DESCRIPTION

GB3150F J R
ECN - R CUST SUP

C - C

Looking for pricing, stock, or lifecycle information?

Click below to explore more details on WIN SOURCE:

 [View SGTM3S10-C0 on WIN SOURCE](#)

 [Panduit Corp](#) Information

Optimize Your Supply Chain with WIN SOURCE Solutions

-  Global Sourcing Solution
-  Obsolete Management
-  Cost Control Management
-  Shortage Management
-  Alternative Solution
-  Excess Inventory Management