

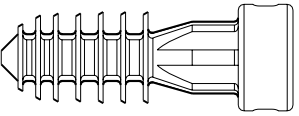
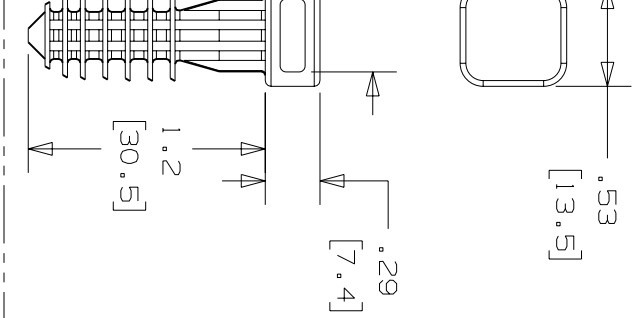


THE DATASHEET OF SGMPMH38-L0



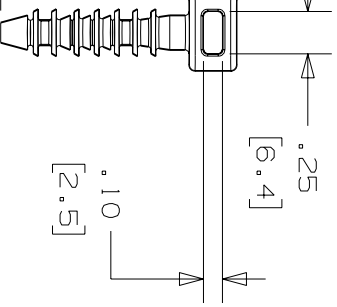
A RESTRICTED BASIS AND IS NOT TO BE USED IN ANY WAY DETRIMENTAL TO THE INTERESTS OF PANDUIT CORP.

PANDUIT PART NO. *	USE WITH CABLE WITH	HOLE SIZE inch / (mm)	WEIGHT lbs / 100 (g) / pcs
MPMS19-	M, I, S, SG1501, SG2005, SG2505, SG3005, SG3705	0.187 dia x 1.25 deep (5.0 dia x 31.8 deep)	0.18 (83)
SGMPMS19-	SG100M, SG1501, SG2005, SG2505, SG3005, SG3705, SG450H	0.375 dia x 1.50 deep (10.0 dia x 38.1 deep)	0.464 (210.6)
MPMH38-			
SGMPMH38-			



NOTES:
 * 1. SEE CURRENT PRICE SHEET FOR PART NUMBER SUFFIX DESIGNATION FOR PACKAGE SIZE.

2. MATERIAL: WEATHER RESISTANT NYLON 6/6
 COLOR: BLACK



DIMENSIONS IN BRACKETS ARE METRIC (mm)
 CAD FILENAME/LAYERS
 G002391G_PB_MPM_01

PANDUIT
 CORP. TINLEY PARK, ILLINOIS

MASONRY PUSH MOUNT
 (MPMS19 - , SGMPMS19 - , MPMH38 - , SGMPMH38 -)

UNLESS OTHERWISE SPECIFIED,
 DIMENSIONAL TOLERANCES ARE:
 (.X) ±0.05 (1.3) (.XXX) ±0.010 (0.25)
 (.XX) ±0.02 (0.5) ANGLES ± 5°

UNLESS OTHERWISE SPECIFIED,
 ALL DIMENSIONS ARE GIVEN
 IN INCHES, THIRD ANGLE PROJECTION.

DRAWN BY JAD
 DATE 9/24/03
 CHK'D

MAT'L: SEE NOTE 2

SCALE NONE
 DRAWING NO. G002391G
 DWG SIZE A

NUMBER SGMPMH38 & SGMPMS19 MENTIONS FOR SGMPMS19,SGMPMH38	ECN	R	CUST	SUP
G002391G	1			

DESCRIPTION

Looking for pricing, stock, or lifecycle information?

Click below to explore more details on WIN SOURCE:

 [View SGMPMH38-L0 on WIN SOURCE](#)

 [Panduit Corp Information](#)

Optimize Your Supply Chain with WIN SOURCE Solutions

-  Global Sourcing Solution
-  Obsolete Management
-  Cost Control Management
-  Shortage Management
-  Alternative Solution
-  Excess Inventory Management