

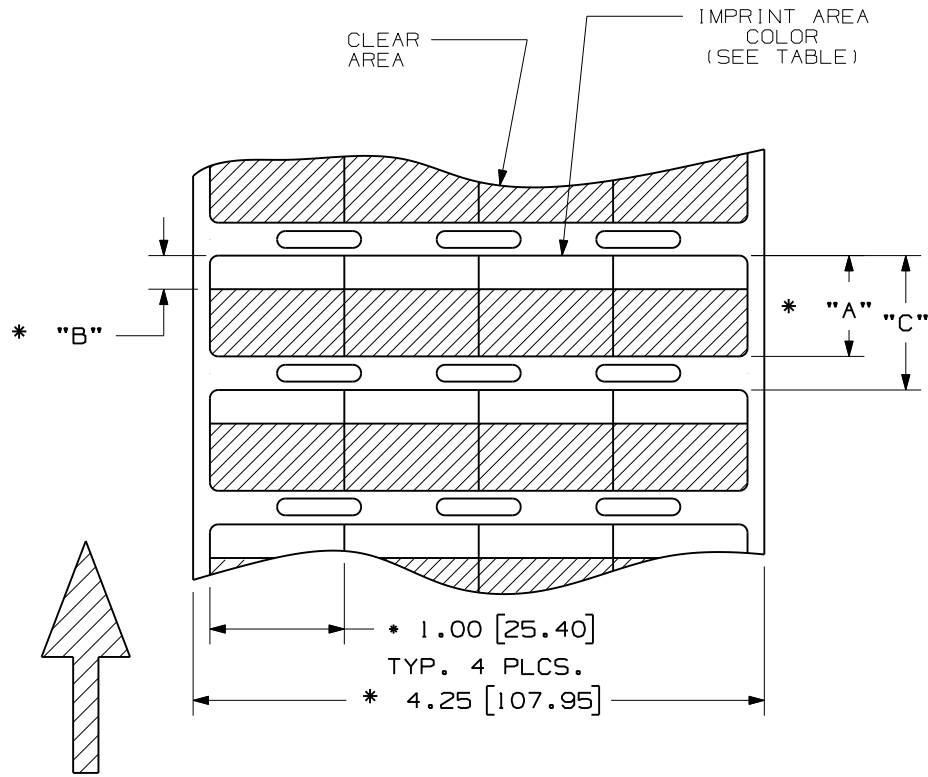


**THE DATASHEET OF
S100X160VATY**



THIS COPY IS PROVIDED ON A RESTRICTED BASIS AND IS NOT TO BE USED IN ANY WAY DETRIMENTAL TO THE INTERESTS OF PANDUIT CORP.

3



PART NUMBER	"A" DIM	"B" IMPRINT AREA	COLOR-IMPRINT AREA	"C" VERTICAL AREA	"D" DIM	LABELS PER ROW	STD. PKG. QTY.						
S100X225VBTY	2.25 [57.2]	0.75 +/- .062 [19.0 +/- 1.6]	TIA BLUE	2.50 [63.5]	.063 [1.60]	4	5,000						
S100X225VCTY			TIA TAN										
S100X225VDTY			TIA GREEN										
S100X225VETY			TIA GRAY										
S100X225VFTY			TIA ORANGE										
S100X225VGTY			TIA PURPLE										
S100X225VHTY			TIA PINK										
S100X225VITY			TIA YELLOW										
S100X225VOTY			TIA BLACK										
S100X225V9TY			TIA GOLD										
S100X150VBTY			1.50 [38.1]					0.50 +/- .062 [12.7 +/- 1.6]	TIA BLUE	1.80 [45.7]	.088 [2.24]	4	5,000
S100X150VCTY									TIA TAN				
S100X150VDTY	TIA GREEN												
S100X150VETY	TIA GRAY												
S100X150VFTY	TIA ORANGE												
S100X150VGTY	TIA PURPLE												
S100X150VHTY	TIA PINK												
S100X150VITY	TIA YELLOW												
S100X150VOTY	TIA BLACK												
S100X150V9TY	TIA GOLD												

NOTES:
1. MILLIMETERS ARE IN [].

CAD FILENAME/LAYERS
I00472HT-DC-C10404/06D

PANDUIT CORP. TINLEY PARK, ILLINOIS

OPTIMUM SELF-LAM. CUSTOMER DRAWING
S100X150V**Y & S100X225V**Y
THERMAL TRANSFER PRINTABLE LABELS
WITH COLOR TINTED IMPRINT AREAS

REV	DATE	BY	CHK	DESCRIPTION	ECN	R	CUST	SUP
3	8/10/12	RVU		GMV17 WAS GMV16.	GAECN00177	OO		
2	1/23/08	RVU	DWY	REMOVED "SEE MIF. NO." FROM THE TABLE. ADDED "TIA COLOR" ON TABLE.	5268	R		
1	12/20/07	RVU	DWY	GMV16 WAS GMV54CLC.	5243	R		
0	9-11-06	RVU	DWY	RELEASE TO PRODUCTION.	4671	R		

UNLESS OTHERWISE SPECIFIED, DIMENSIONAL TOLERANCES ARE:
(.X) ± (.XXX) ±
(.XX) ± ANGLES ±

UNLESS OTHERWISE SPECIFIED, ALL DIMENSIONS ARE GIVEN IN INCHES, THIRD ANGLE PROJECTION.

DRAWN BY: RVU
DATE: 3-30-06
CHK'D:

MAT'L: GMV17

SCALE: NTS
DRAWING NO.: C10404
DWG SIZE: A

Looking for pricing, stock, or lifecycle information?

Click below to explore more details on WIN SOURCE:

 [View S100X160VATY on WIN SOURCE](#)

 [Panduit Corp Information](#)

Optimize Your Supply Chain with WIN SOURCE Solutions

-  Global Sourcing Solution
-  Obsolete Management
-  Cost Control Management
-  Shortage Management
-  Alternative Solution
-  Excess Inventory Management