

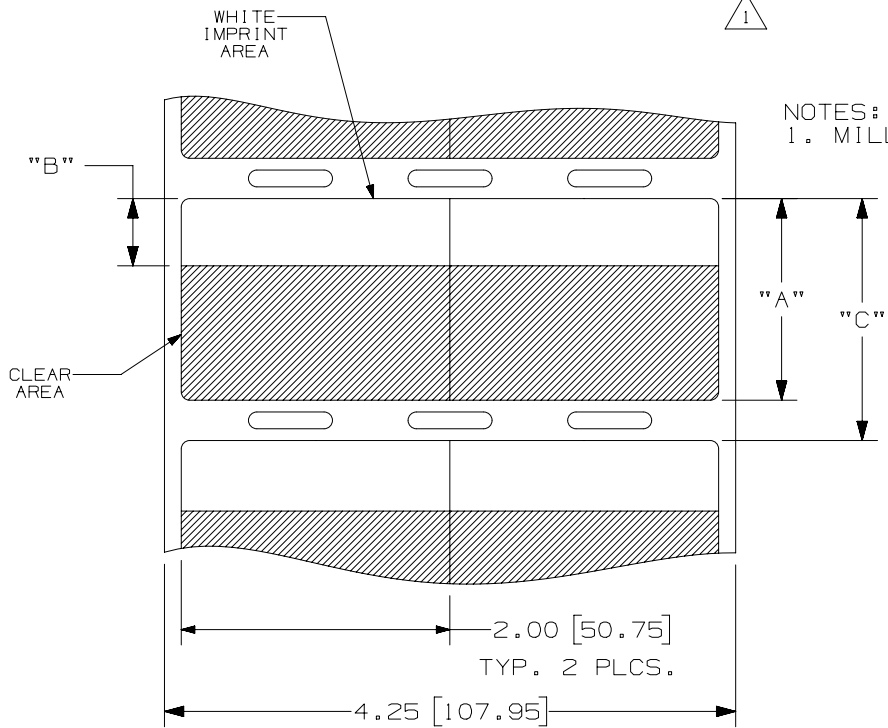


**THE DATASHEET OF  
S200X400T1T**



THIS COPY IS PROVIDED ON A RESTRICTED BASIS AND IS NOT TO BE USED IN ANY WAY DETRIMENTAL TO THE INTERESTS OF PANDUIT CORP.

PART NUMBER	MATERIAL	"A" HEIGHT +/- .062	IMPRINT AREA "B" +/- .062	VERTICAL REPEAT "C" +/- .062	LABELS PER ROW	STANDARD PKG. QTY.
S200X400T1T	GMTD1	4.00 [ 101.6 ]	1.00 [ 25.4 ]	4.25 [ 107.9 ]	2	500
S200X400TAT-A	GMT1					



NOTES:  
1. MILLIMETERS ARE IN [ ].

REV	DATE	BY	CHK	APR	DESCRIPTION	ECN
1	6/7/17	RVU	JW	JHAC	ADD S200X400TAT-A TO TABLE.	GAECN04176
0	12/13/10	RVU	SEWH	MSAD	DRAWING RELEASE.	6245

TITLE <b>PVDF S200X400T1T AND PVF S200X400TAT-A Self Laminating Thermal Transfer Printable Labels</b>		<b>PANDUIT</b>
CUSTOMER DRAWING		
ITEM REVISION NAME 100619PH/01		
DATASET FILE NAME 100619PH_DC_C10877/01B		MATERIAL:  SEE TABLE
UNLESS OTHERWISE SPECIFIED, DIMENSIONAL TOLERANCES ARE: IN [ mm ] .x ± .12 [ 3.05 ]    .xxx ± .025 [ .635 ] .xx ± .062 [ 1.57 ]    ANGLES ± 5 °		
DRAWING NUMBER: C10877		
DRAWN BY RVU	DATE 12/3/10	CHK JHAC
SCALE NTS	SHT 1 OF 1	
SIZE A		

2

1

## Looking for pricing, stock, or lifecycle information?

Click below to explore more details on WIN SOURCE:

 [View S200X400T1T on WIN SOURCE](#)

 [Panduit Corp Information](#)

## Optimize Your Supply Chain with WIN SOURCE Solutions

-  Global Sourcing Solution
-  Obsolete Management
-  Cost Control Management
-  Shortage Management
-  Alternative Solution
-  Excess Inventory Management