



**THE DATASHEET OF  
SFT44T60-10K391E-F**



# Type SF Dual, Round & Oval, Motor Run Capacitors

## Metallized Polypropylene



Type SF dual rated oil filled motor run capacitors made with self-healing metallized polypropylene film are commonly used in air conditioning, motors and compressor applications. The dual ratings in a single can provide two capacitors - one may be used as a fan capacitor and the other as a compressor or motor run capacitor. Three terminals allow one terminal to act as a common while the other two are connected to the individual capacitors.

### Highlights

- Fault current protection up to 10,000 A
- Low energy consumption — <0.1% DF
- Self healing
- cULus recognized under E71645
- Meets EIA Standard EIA-456-A
- 60,000 hours life
- Dry construction available upon request

### Specifications [Click here to view hardware](#)

|   |   |
|---|---|
| Capacitance Range                       | 15-5 $\mu$ F to 80-10 $\mu$ F                         |
| Capacitance Tolerance                   | $\pm$ 10% standard ( $\pm$ 6% and $\pm$ 3% available) |
| Rated Voltage                           | 370 Vac and 440 Vac                                   |
| Operating Temperature Range with Ripple | -40 $^{\circ}$ C to 70 $^{\circ}$ C                   |
| <a href="#">Regulatory Information</a>  |   |

### Service Life Objective

The service life objective for this series is 60,000 hours of operating life with a 94% survival rate when operated at full voltage, 60 Hz, and rated ambient temperature. AC capacitors are frequently used at voltages and ambient temperatures other than rated conditions. Service life may be estimated under specific conditions of temperature and voltage by using the curves as shown below and to the right.

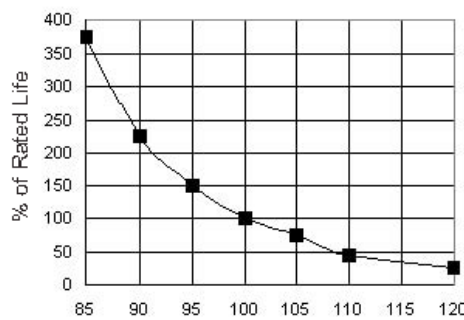
### Capacitance vs. Temperature

The Capacitance vs. Temperature curve may be used to determine the capacitance change as a function of temperature. Capacitance varies by no more than  $\pm$ 3% over the operating temperature range.

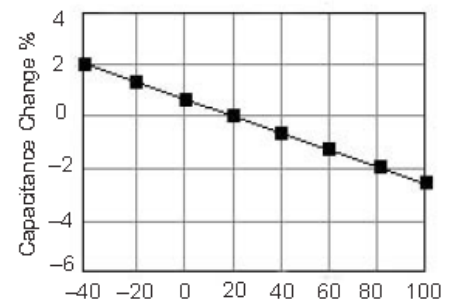
Life vs. Temperature



Life vs. Voltage



Capacitance vs. Temperature



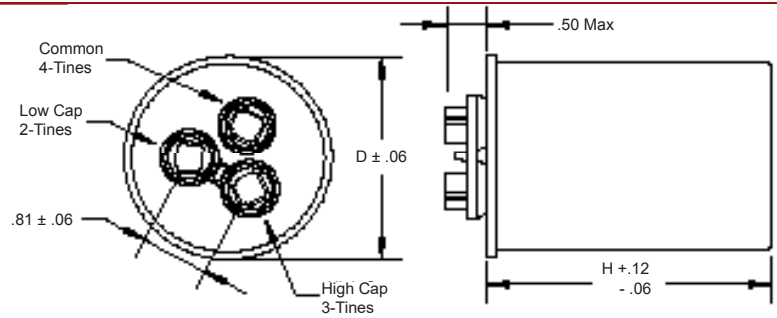
### Part Numbering System

|      |  |   |                               |   |   |  |   |                             |
|------|--|---|-------------------------------|---|---|--|---|-----------------------------|
| SF   | C  | 37  | T                             | 15-5  | K   | 291  | E   | -F                          |
| Type | Case   | AC Volt                                   | Case Material                 | Cap   | Tol. $\pm$ %  | Can Height   | VAR   | RoHS                        |
| SF   | C = 1 3/4" Oval<br>D = 2.0" Oval<br>S = 2.0" Round<br>T = 2 1/2" Round | 37 = 370 Vac<br>44 = 440 Vac<br>X = Other | T = Aluminum<br>w/steel cover | 15-5 = 15-5 $\mu$ F<br>30-20 = 30-20 $\mu$ F<br>50-7.5 = 50-7.5 $\mu$ F | L = $\pm$ 3%<br>H = $\pm$ 6%<br>K = $\pm$ 10%<br>Z = +10 -5%<br>X = Special | 300 = 3.00"<br>388 = 3.88"<br>400 = 4.00"<br>475 = 4.75" | E = Dual 2,3,4 70 $^{\circ}$ C<br>Z = Other | Compliant<br>-F = Compliant |

# Type SF Dual, Round & Oval, Motor Run Capacitors

## Type SF Dual Round

| Case Code | D (Inches) | H                 |
|-----------|------------|-------------------|
| S         | 2.12       | See Ratings Table |
| T         | 2.62       | See Ratings Table |



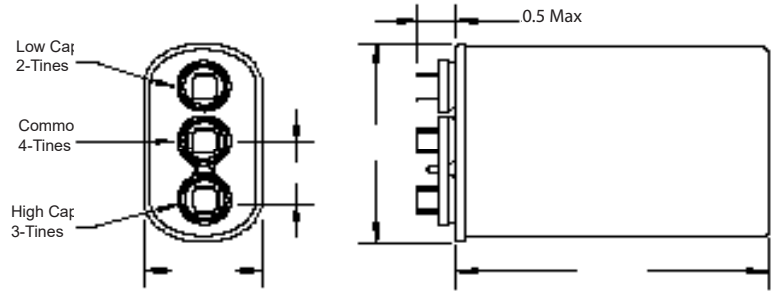
## Ratings

| Cap<br>( $\mu$ F- $\mu$ F) | Case<br>Code | Aluminum Catalog<br>Part Number | H<br>(in) | Cap<br>( $\mu$ F- $\mu$ F) | Case<br>Code | Aluminum Catalog<br>Part Number | H<br>(in) |
|----------------------------|--------------|---------------------------------|-----------|----------------------------|--------------|---------------------------------|-----------|
| <b>370V</b>                |              |                                 |           | <b>440V</b>                |              |                                 |           |
| 15-5                       | S            | SFS37T15-5K291E-F               | 2.91      | 15-5                       | S            | SFS44T15-5K291E-F               | 2.91      |
| 15-10                      | S            | SFS37T15-10K291E-F              | 2.91      | 15-10                      | S            | SFS44T15-10K291E-F              | 2.91      |
| 20-5                       | S            | SFS37T20-5K291E-F               | 2.91      | 20-5                       | S            | SFS44T20-5K291E-F               | 2.91      |
| 20-7.5                     | S            | SFS37T20-7.5K291E-F             | 2.91      | 20-7.5                     | S            | SFS44T20-7.5K291E-F             | 2.91      |
| 20-10                      | S            | SFS37T20-10K291E-F              | 2.91      | 20-10                      | S            | SFS44T20-10K291E-F              | 2.91      |
| 25-5                       | S            | SFS37T25-5K291E-F               | 2.91      | 25-5                       | S            | SFS44T25-5K291E-F               | 2.91      |
| 25-7.5                     | S            | SFS37T25-7.5K291E-F             | 2.91      | 25-7.5                     | S            | SFS44T25-7.5K384E-F             | 3.84      |
| 25-10                      | S            | SFS37T25-10K291E-F              | 2.91      | 25-10                      | S            | SFS44T25-10K384E-F              | 3.84      |
| 25-15                      | S            | SFS37T25-15K384E-F              | 3.84      | 25-15                      | S            | SFS44T25-15K384E-F              | 3.84      |
| 30-5                       | S            | SFS37T30-5K291E-F               | 2.91      | 30-5                       | S            | SFS44T30-5K384E-F               | 3.84      |
| 30-7.5                     | S            | SFS37T30-7.5K384E-F             | 3.84      | 30-7.5                     | S            | SFS44T30-7.5K384E-F             | 3.84      |
| 30-10                      | S            | SFS37T30-10K384E-F              | 3.84      | 30-10                      | S            | SFS44T30-10K384E-F              | 3.84      |
| 30-15                      | S            | SFS37T30-15K384E-F              | 3.84      | 30-15                      | S            | SFS44T30-15K475E-F              | 4.75      |
| 30-20                      | S            | SFS37T30-20K384E-F              | 3.84      | 30-20                      | S            | SFS44T30-20K475E-F              | 4.75      |
| 35-5                       | S            | SFS37T35-5K384E-F               | 3.84      | 35-5                       | S            | SFS44T35-5K384E-F               | 3.84      |
| 35-7.5                     | S            | SFS37T35-7.5K384E-F             | 3.84      | 35-7.5                     | T            | SFT44T35-7.5K291E-F             | 2.91      |
| 35-10                      | S            | SFS37T35-10K384E-F              | 3.84      | 35-10                      | T            | SFT44T35-10K291E-F              | 2.91      |
| 35-15                      | S            | SFS37T35-15K384E-F              | 3.84      | 35-15                      | T            | SFT44T35-15K291E-F              | 2.91      |
| 35-20                      | S            | SFS37T35-20K475E-F              | 4.75      | 35-20                      | T            | SFT44T35-20K391E-F              | 3.91      |
| 40-5                       | S            | SFS37T40-5K384E-F               | 3.84      | 40-5                       | T            | SFT44T40-5K291E-F               | 2.91      |
| 40-7.5                     | S            | SFS37T40-7.5K384E-F             | 3.84      | 40-7.5                     | T            | SFT44T40-7.5K291E-F             | 2.91      |
| 40-10                      | S            | SFS37T40-10K384E-F              | 3.84      | 40-10                      | T            | SFT44T40-10K291E-F              | 2.91      |
| 40-15                      | S            | SFS37T40-15K475E-F              | 4.75      | 40-15                      | T            | SFT44T40-15K391E-F              | 3.91      |
| 45-5                       | S            | SFS37T45-5K384E-F               | 3.84      | 45-5                       | T            | SFT44T45-5K291E-F               | 2.91      |
| 45-7.5                     | S            | SFS37T45-7.5K384E-F             | 3.84      | 45-7.5                     | T            | SFT44T45-7.5K291E-F             | 2.91      |
| 45-10                      | S            | SFS37T45-10K475E-F              | 4.75      | 45-10                      | T            | SFT44T45-10K391E-F              | 3.91      |
| 45-15                      | S            | SFS37T45-15K475E-F              | 4.75      | 45-15                      | T            | SFT44T45-15K391E-F              | 3.91      |
| 50-5                       | T            | SFT37T50-5K291E-F               | 2.91      | 50-5                       | T            | SFT44T50-5K391E-F               | 3.91      |
| 50-7.5                     | T            | SFT37T50-7.5K291E-F             | 2.91      | 50-7.5                     | T            | SFT44T50-7.5K391E-F             | 3.91      |
| 50-10                      | T            | SFT37T50-10K291E-F              | 2.91      | 50-10                      | T            | SFT44T50-10K391E-F              | 3.91      |
| 60-5                       | T            | SFT37T60-5K291E-F               | 2.91      | 60-5                       | T            | SFT44T60-5K391E-F               | 3.91      |
| 60-7.5                     | T            | SFT37T60-7.5K291E-F             | 2.91      | 60-7.5                     | T            | SFT44T60-7.5K391E-F             | 3.91      |
| 60-10                      | T            | SFT37T60-10K291E-F              | 2.91      | 60-10                      | T            | SFT44T60-10K391E-F              | 3.91      |
| 70-5                       | T            | SFT37T70-5K391E-F               | 3.91      |                            |              |                                 |           |
| 70-7.5                     | T            | SFT37T70-7.5K391E-F             | 3.91      |                            |              |                                 |           |
| 70-10                      | T            | SFT37T70-10K391E-F              | 3.91      |                            |              |                                 |           |
| 80-5                       | T            | SFT37T80-5K391E-F               | 3.91      |                            |              |                                 |           |
| 80-7.5                     | T            | SFT37T80-7.5K391E-F             | 3.91      |                            |              |                                 |           |
| 80-10                      | T            | SFT37T80-10K391E-F              | 3.91      |                            |              |                                 |           |

# Type SF Dual, Round & Oval, Motor Run Capacitors

## Type SF Dual Oval

| Case Code | Dimensions (Inches) |      |                   |
|-----------|---------------------|------|-------------------|
|           | A                   | B    | H                 |
| C         | 1.91                | 2.91 | See Ratings Table |
| D         | 1.97                | 3.66 | See Ratings Table |



## Ratings

| Cap (μF-μF) | Case Code | Aluminum Catalog Part Number | H (in) |
|-------------|-----------|------------------------------|--------|
| <b>370V</b> |           |                              |        |
| 15-5        | C         | SFC37T15-5K291E-F            | 2.91   |
| 15-10       | C         | SFC37T15-10K291E-F           | 2.91   |
| 20-5        | C         | SFC37T20-5K291E-F            | 2.91   |
| 20-7.5      | C         | SFC37T20-7.5K291E-F          | 2.91   |
| 20-10       | C         | SFC37T20-10K291E-F           | 2.91   |
| 25-5        | C         | SFC37T25-5K291E-F            | 2.91   |
| 25-7.5      | C         | SFC37T25-7.5K291E-F          | 2.91   |
| 25-10       | C         | SFC37T25-10K291E-F           | 2.91   |
| 25-15       | C         | SFC37T25-15K391E-F           | 3.91   |
| 30-5        | C         | SFC37T30-5K391E-F            | 3.91   |
| 30-7.5      | C         | SFC37T30-7.5K391E-F          | 3.91   |
| 30-10       | C         | SFC37T30-10K391E-F           | 3.91   |
| 30-15       | C         | SFC37T30-15K391E-F           | 3.91   |
| 30-20       | C         | SFC37T30-20K391E-F           | 3.91   |
| 35-5        | C         | SFC37T35-5K391E-F            | 3.91   |
| 35-7.5      | C         | SFC37T35-7.5K391E-F          | 3.91   |
| 35-10       | C         | SFC37T35-10K391E-F           | 3.91   |
| 35-15       | C         | SFC37T35-15K391E-F           | 3.91   |
| 35-20       | C         | SFC37T35-20K391E-F           | 3.91   |
| 40-5        | C         | SFC37T40-5K391E-F            | 3.91   |
| 40-7.5      | C         | SFC37T40-7.5K391E-F          | 3.91   |
| 40-10       | C         | SFC37T40-10K391E-F           | 3.91   |
| 40-15       | D         | SFD37T40-15K391E-F           | 3.91   |
| 45-5        | D         | SFD37T45-5K391E-F            | 3.91   |
| 45-7.5      | D         | SFD37T45-7.5K391E-F          | 3.91   |
| 45-10       | D         | SFD37T45-10K391E-F           | 3.91   |
| 45-15       | D         | SFD37T45-15K391E-F           | 3.91   |
| 50-5        | D         | SFD37T50-5K391E-F            | 3.91   |
| 50-7.5      | D         | SFD37T50-7.5K391E-F          | 3.91   |
| 50-10       | D         | SFD37T50-10K391E-F           | 3.91   |
| 60-5        | D         | SFD37T60-5K475E-F            | 4.75   |
| 60-7.5      | D         | SFD37T60-7.5K475E-F          | 4.75   |
| 60-10       | D         | SFD37T60-10K475E-F           | 4.75   |
| 70-5        | D         | SFD37T70-5K475E-F            | 4.75   |
| 70-7.5      | D         | SFD37T70-7.5K475E-F          | 4.75   |
| 70-10       | D         | SFD37T70-10K475E-F           | 4.75   |
| 80-5        | D         | SFD37T80-5K475E-F            | 4.75   |
| 80-7.5      | D         | SFD37T80-7.5K475E-F          | 4.75   |
| 80-10       | D         | SFD37T80-10K475E-F           | 4.75   |

| Cap (μF-μF) | Case Code | Aluminum Catalog Part Number | H (in) |
|-------------|-----------|------------------------------|--------|
| <b>440V</b> |           |                              |        |
| 15-5        | C         | SFC44T15-5K291E-F            | 2.91   |
| 15-10       | C         | SFC44T15-10K291E-F           | 2.91   |
| 20-5        | C         | SFC44T20-5K291E-F            | 2.91   |
| 20-7.5      | C         | SFC44T20-7.5K291E-F          | 2.91   |
| 20-10       | C         | SFC44T20-10K291E-F           | 2.91   |
| 25-5        | C         | SFC44T25-5K391E-F            | 3.91   |
| 25-7.5      | C         | SFC44T25-7.5K391E-F          | 3.91   |
| 25-10       | C         | SFC44T25-10K391E-F           | 3.91   |
| 25-15       | C         | SFC44T25-15K391E-F           | 3.91   |
| 30-5        | C         | SFC44T30-5K391E-F            | 3.91   |
| 30-7.5      | C         | SFC44T30-7.5K391E-F          | 3.91   |
| 30-10       | C         | SFC44T30-10K391E-F           | 3.91   |
| 30-15       | C         | SFC44T30-15K391E-F           | 3.91   |
| 30-20       | C         | SFC44T30-20K391E-F           | 3.91   |
| 35-5        | C         | SFC44T35-5K475E-F            | 4.75   |
| 35-7.5      | C         | SFC44T35-7.5K475E-F          | 4.75   |
| 35-10       | C         | SFC44T35-10K475E-F           | 4.75   |
| 35-15       | C         | SFC44T35-15K475E-F           | 4.75   |
| 35-20       | C         | SFC44T35-20K475E-F           | 4.75   |
| 40-5        | D         | SFD44T40-5K475E-F            | 4.75   |
| 40-7.5      | D         | SFD44T40-7.5K475E-F          | 4.75   |
| 40-10       | D         | SFD44T40-10K475E-F           | 4.75   |
| 40-15       | D         | SFD44T40-15K475E-F           | 4.75   |
| 45-5        | D         | SFD44T45-5K475E-F            | 4.75   |
| 45-7.5      | D         | SFD44T45-7.5K475E-F          | 4.75   |
| 45-10       | D         | SFD44T45-10K475E-F           | 4.75   |
| 45-15       | D         | SFD44T45-15K475E-F           | 4.75   |
| 50-5        | D         | SFD44T50-5K475E-F            | 4.75   |
| 50-7.5      | D         | SFD44T50-7.5K475E-F          | 4.75   |
| 50-10       | D         | SFD44T50-10K475E-F           | 4.75   |
| 60-5        | D         | SFD44T60-5K616E-F            | 6.16   |
| 60-7.5      | D         | SFD44T60-7.5K616E-F          | 6.16   |
| 60-10       | D         | SFD44T60-10K616E-F           | 6.16   |

\*

## Type SF Dual, Round & Oval, Motor Run Capacitors

---

**Notice and Disclaimer:** All product drawings, descriptions, specifications, statements, information and data (collectively, the “Information”) in this datasheet or other publication are subject to change. The customer is responsible for checking, confirming and verifying the extent to which the Information contained in this datasheet or other publication is applicable to an order at the time the order is placed. All Information given herein is believed to be accurate and reliable, but it is presented without any guarantee, warranty, representation or responsibility of any kind, expressed or implied. Statements of suitability for certain applications are based on the knowledge that the Cornell Dubilier company providing such statements (“Cornell Dubilier”) has of operating conditions that such Cornell Dubilier company regards as typical for such applications, but are not intended to constitute any guarantee, warranty or representation regarding any such matter – and Cornell Dubilier specifically and expressly disclaims any guarantee, warranty or representation concerning the suitability for a specific customer application, use, storage, transportation, or operating environment. The Information is intended for use only by customers who have the requisite experience and capability to determine the correct products for their application. Any technical advice inferred from this Information or otherwise provided by Cornell Dubilier with reference to the use of any Cornell Dubilier products is given gratis (unless otherwise specified by Cornell Dubilier), and Cornell Dubilier assumes no obligation or liability for the advice given or results obtained. Although Cornell Dubilier strives to apply the most stringent quality and safety standards regarding the design and manufacturing of its products, in light of the current state of the art, isolated component failures may still occur. Accordingly, customer applications which require a high degree of reliability or safety should employ suitable designs or other safeguards (such as installation of protective circuitry or redundancies or other appropriate protective measures) in order to ensure that the failure of an electrical component does not result in a risk of personal injury or property damage. Although all product-related warnings, cautions and notes must be observed, the customer should not assume that all safety measures are indicated in such warnings, cautions and notes, or that other safety measures may not be required.

## Looking for pricing, stock, or lifecycle information?

Click below to explore more details on WIN SOURCE:

-  [View SFT44T60-10K391E-F on WIN SOURCE](#)
-  [Cornell Dubilier Electronics \(CDE\) Information](#)

## Optimize Your Supply Chain with WIN SOURCE Solutions

-  Global Sourcing Solution
-  Obsolete Management
-  Cost Control Management
-  Shortage Management
-  Alternative Solution
-  Excess Inventory Management