



**THE DATASHEET OF  
SSQC 1.5**



# Type SSQC & SSTC

2410 size SMD fuses, pre-assembled in SMD clips

HF (Pb) Conflict free metals

RoHS 6 Compliant

## Features

- Surface mount, 2410 assembly
- Allows solderless field replacement of open fuse
- Available in rating of SSQC 250mA to 8A and SSTC 375mA to 7A
- Wide operating temperature range
- Tape & Reel for automatic placement
- RoHS 6 compliant (MSL = 1)
- Halogen Free
- Leadfree

## Applications

- Notebook
- LCD monitor
- PC computer
- Office electronic equipment
- Industrial equipment
- Medical equipment
- POE, POE+
- LCD / LED monitor
- Power supply
- LCD / LED TV

LEAD FREE =   
HALOGEN FREE = 



These fuse/clip assemblies can be efficiently placed in a single pass. Once reflowed, fuse replacement requires no resoldering.

## Physical Specification

Materials

Clip Terminals : Matte Tin Plated Inconel Alloy

## Electrical Specification

Maximum Recommended Fuse Current Rating 8Amperes, 125Volts.

Use of SSQ fuses rated higher than 8A, i.e. 10A, 12A, 15A may be suitable with proper evaluation. (Consult with bel engineering)

## Environmental Specification

|                            |  |
|----------------------------|--|
| Shock Resistance           | MIL-STD-202G, Method 213B, Test Condition 1 (100 G's peak for 6 milliseconds; Sawtooth waveform) |
| Vibration Resistance       | MIL-STD-202G, Method 201A(10-55 Hz,0.06 inch, total excursion).                                  |
| Salt Spray Resistance      | MIL-STD-202G, Method 101E, Test Condition B(48 hrs).   |
| Insulation Resistance      | MIL-STD-202G, Method 302, Test Condition A (After Opening) 10,000 ohms minimum.                  |
| Solderability              | MIL-STD-202G, Method 208H  |
| Thermal Shock              | MIL-STD-202G, Method 107G, Test Condition B (-65 °C to +125 °C).                                 |
| Operating Temperature      | -55 °C to +125 °C  |
| Moisture Sensitivity Level | 1 (According to IPC J-Std-020)   |

Specifications subject to change without notice



Bel Fuse Inc.  
206 Van Vorst Street  
Jersey City, NJ 07302 USA

+1 201.432.0463  
techhelp@belf.com  
[belfuse.com](http://belfuse.com)

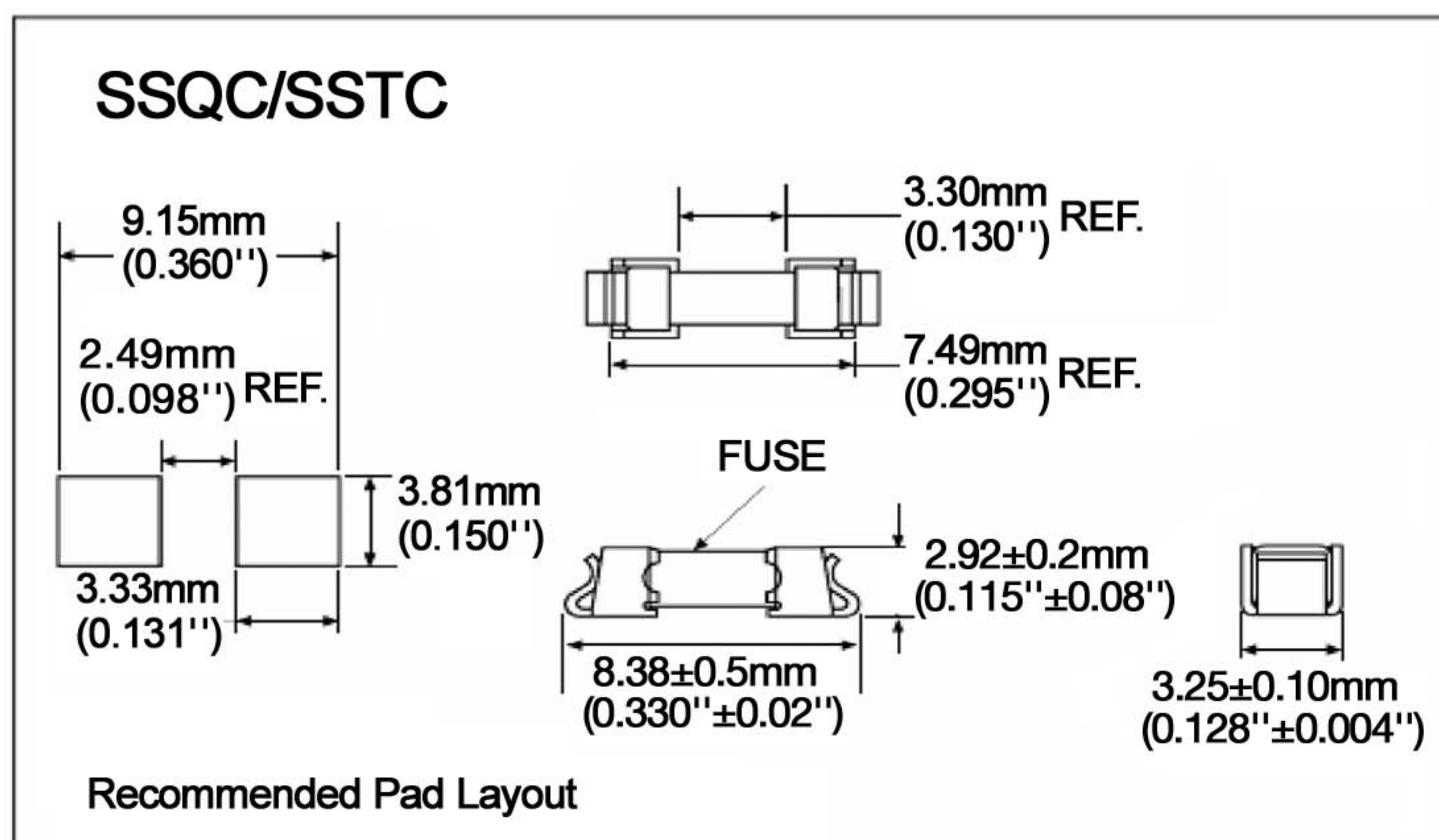
# Type SSQC & SSTC

2410 size SMD fuses, pre-assembled in SMD clips

HF (Pb) Conflict free metals

RoHS 6 Compliant

## Mechanical Dimensions



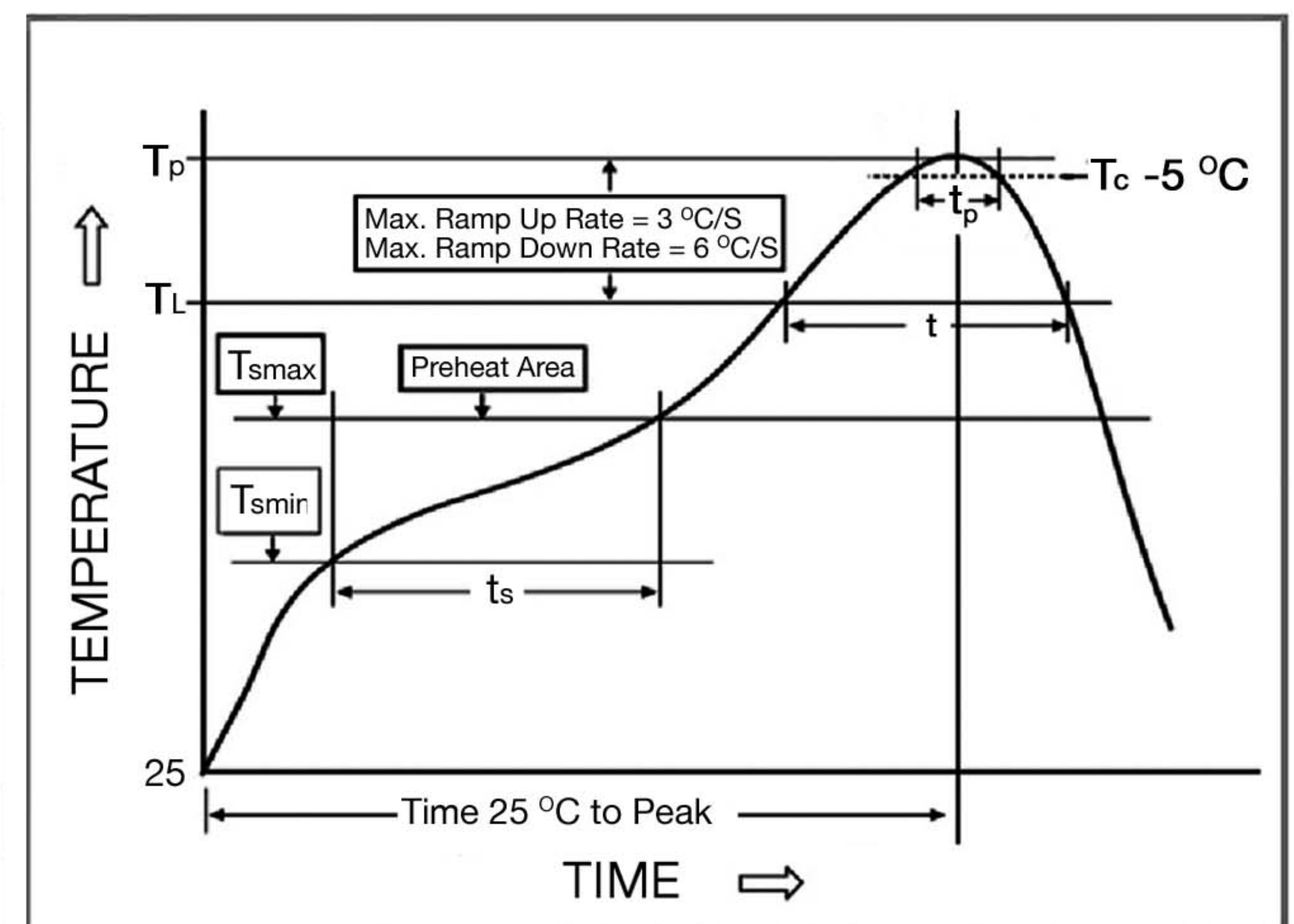
| SSQ Square Ceramic Surface Mount Quick Action Fuse |               |
|--|---------------|
| Catalog Number                                     | Ampere Rating |
| SSQC 250   | 250mA         |
| SSQC 375   | 375mA         |
| SSQC 500   | 500mA         |
| SSQC 750   | 750mA         |
| SSQC 1   | 1A            |
| SSQC 1.25  | 1.25A         |
| SSQC 1.5   | 1.5A          |
| SSQC 2   | 2A            |
| SSQC 2.5   | 2.5A          |
| SSQC 3   | 3A            |
| SSQC 3.5   | 3.5A          |
| SSQC 4   | 4A            |
| SSQC 5   | 5A            |
| SSQC 6.3   | 6.3A          |
| SSQC 7   | 7A            |
| SSQC 8   | 8A            |

| SST Square Ceramic Surface Mount Slow Blow Fuse |               |
|---|---------------|
| Catalog Number                                  | Ampere Rating |
| SSTC 375  | 375mA         |
| SSTC 500  | 500mA         |
| SSTC 625  | 625mA         |
| SSTC 750  | 750mA         |
| SSTC 1  | 1A            |
| SSTC1.5   | 1.5A          |
| SSTC 2  | 2A            |
| SSTC 2.5  | 2.5A          |
| SSTC 3  | 3A            |
| SSTC 3.5  | 3.5A          |
| SSTC 3.75                                       | 3.75A         |
| SSTC 4  | 4A            |
| SSTC 5  | 5A            |
| SSTC 6  | 6A            |
| SSTC 6.3  | 6.3A          |
| SSTC 7  | 7A            |

Consult manufacturer for other ratings

## RoHS 6 Compliant Product

| IR Reflow Profile (IPC/JEDEC J-STD-020D)   |                  |
|--|------------------|
| <b>Preheat &amp; Soak</b>  |                  |
| Temperature min (T <sub>sm</sub> )   | 150 °C           |
| Temperature max (T <sub>sm</sub> )   | 200 °C           |
| Time (T <sub>sm</sub> to T <sub>sm</sub> ) (t <sub>s</sub> )                                     | 60 - 120 seconds |
| Average ramp-up rate (T <sub>sm</sub> to T <sub>p</sub> )  | 3 °C/second max. |
| Liquidous temperature (T <sub>L</sub> )  | 217 °C           |
| Time at liquidous (t <sub>L</sub> )  | 60 - 150 seconds |
| Peak temperature (T <sub>p</sub> )   | 260 °C max       |
| Time (t <sub>p</sub> ) within 5 °C of the specified classification temperature (T <sub>c</sub> ) | 30 seconds       |
| Average ramp-down rate (T <sub>p</sub> to T <sub>sm</sub> )                                      | 6 °C/second max. |
| Time 25 °C to peak temperature   | 8 minutes max.   |



## Packaging

| Packaging Tape & Reel                                 | Packaging Specification | Quantity | Part Number Code | Type |
|---|-------------------------|----------|------------------|------|
| 16mm wide tape, 8mm pitch with 7 inches Diameter reel | EIA Standard 481-E      | 500      | 0679-XXXX-12     | SSQC |
| 16mm wide tape, 8mm pitch with 7 inches Diameter reel | EIA Standard 481-E      | 500      | 0680-XXXX-12     | SSTC |

Specifications subject to change without notice



Bel Fuse Inc.  
206 Van Vorst Street  
Jersey City, NJ 07302 USA

+1 201.432.0463  
techhelp@belf.com  
[belfuse.com](http://belfuse.com)

Looking for pricing, stock, or lifecycle information?

Click below to explore more details on WIN SOURCE:

[View SSQC 1.5 on WIN SOURCE](#)

[Bei Fuse Inc. Information](#)

#### Optimize Your Supply Chain with WIN SOURCE Solutions

- ✓ Global Sourcing Solution
- ✓ Obsolete Management
- ✓ Cost Control Management
- ✓ Shortage Management
- ✓ Alternative Solution
- ✓ Excess Inventory Management