

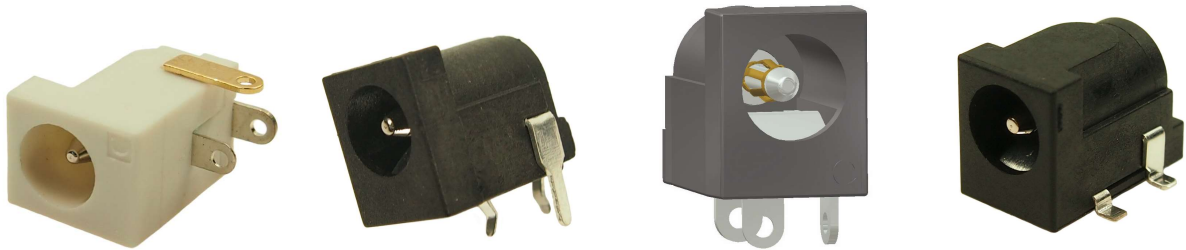


**THE DATASHEET OF  
FC681465P**



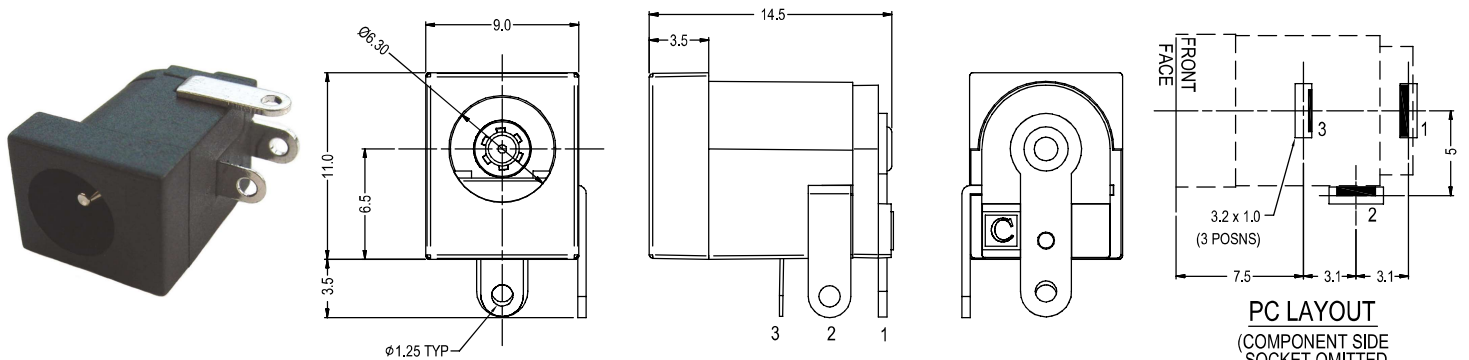
# CLIFF

## DC10L DUAL DC SOCKET Accepts 2.1mm & 2.5mm Plugs



**DC10L NOW  
AVAILABLE  
IN WHITE**

- Body material is PBT for superior temperature characteristics.
- Contacts are Copper alloy / Tin plated.
- Available in 90° PCB mounting or Solder tag / Chassis mounting.
- RoHS compliant.
- UK Patent No: 2447648, USA Patent No: 7648380



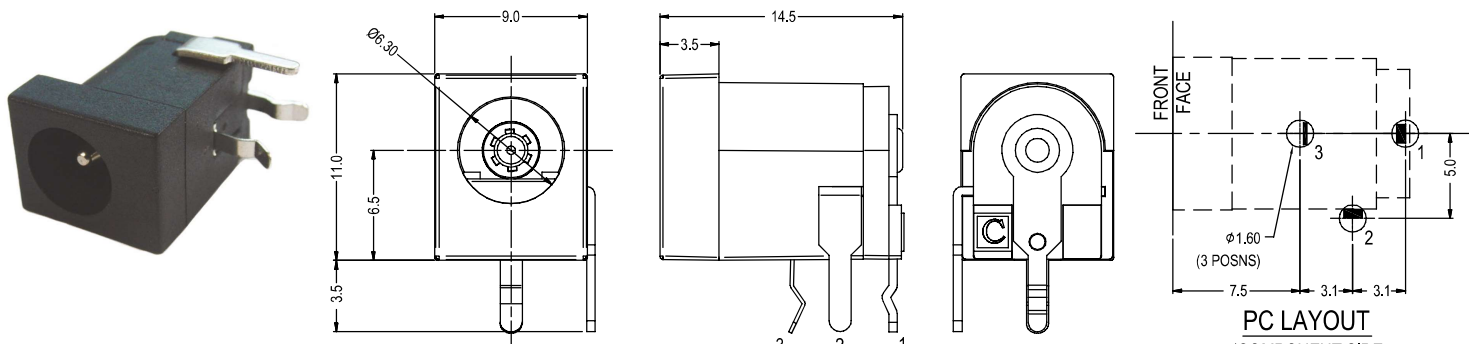
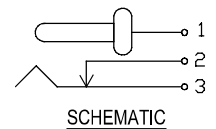
**Part No. FC681465 - BLACK  
FCR681466 - WHITE**

### SPECIFICATION

RATED: 5A / 12V DC.

LIFE: 5,000 INSERTIONS MINIMUM.

INSULATION RESISTANCE BETWEEN ANY OPEN CONTACT: >100MW @ 500V DC.

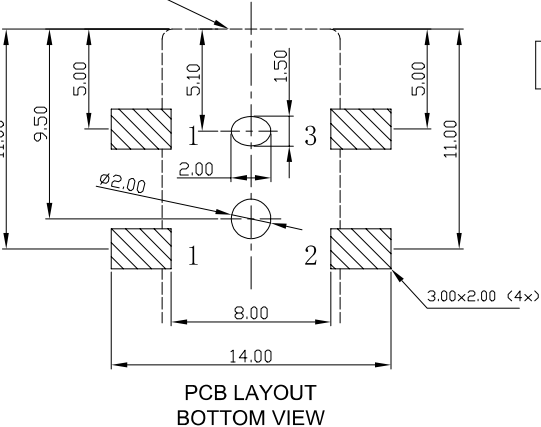
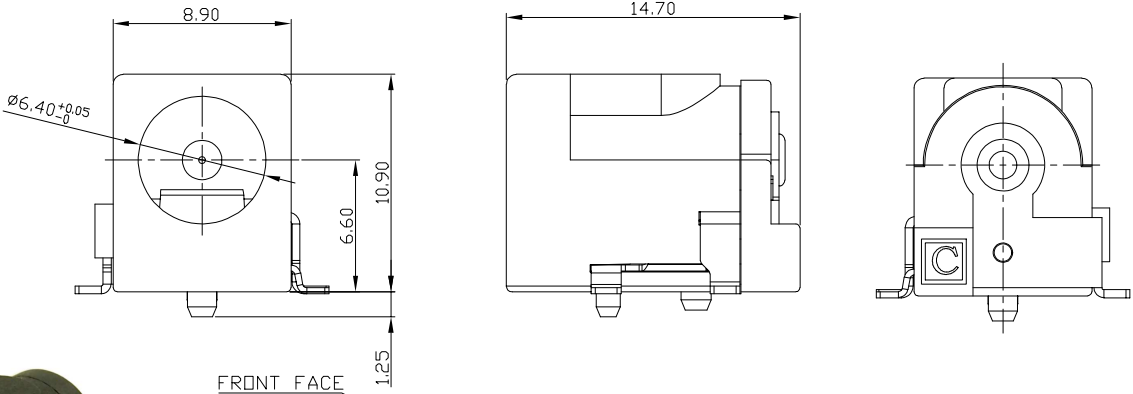


**Part No. FC681465P - BLACK  
FCR681466P - WHITE**



# DC10LS SMD DUAL DC SOCKET

## Accepts 2.1mm & 2.5mm Plugs



Part No. FC681465S

Also supplied taped  
Part No. FC681465ST

### SPECIFICATION

RATED: 2A / 12V DC.  
INSERTION / WITHDRAWAL FORCE: 0.3-2 kgf.  
LIFE: 5,000 INSERTIONS MINIMUM.  
CONTACT RESISTANCE:  
INITIAL: PLUG / CONTACT <math>< 50\text{m}\Omega</math>, CONTACT / SHUNT <math>< 30\text{m}\Omega</math>.  
AFTER LIFE TEST: PLUG / CONTACT <math>< 100\text{m}\Omega</math>, CONTACT / SHUNT <math>< 60\text{m}\Omega</math>.

For further information, contact [sales@cliffuk.co.uk](mailto:sales@cliffuk.co.uk)

**Cliff Electronic Components Limited,**  
76 Holmethorpe Avenue, Holmethorpe Ind. Estate,  
Redhill, Surrey RH1 2PF U.K.  
Tel: +44 (0)1737 771375 Fax: +44 (0)1737 766012

[www.cliffuk.co.uk](http://www.cliffuk.co.uk)

## Looking for pricing, stock, or lifecycle information?

Click below to explore more details on WIN SOURCE:

- [View FC681465P on WIN SOURCE](#)
- [CLIFF Electronic Components Ltd Information](#)

## Optimize Your Supply Chain with WIN SOURCE Solutions

- ✓ Global Sourcing Solution
- ✓ Obsolete Management
- ✓ Cost Control Management
- ✓ Shortage Management
- ✓ Alternative Solution
- ✓ Excess Inventory Management