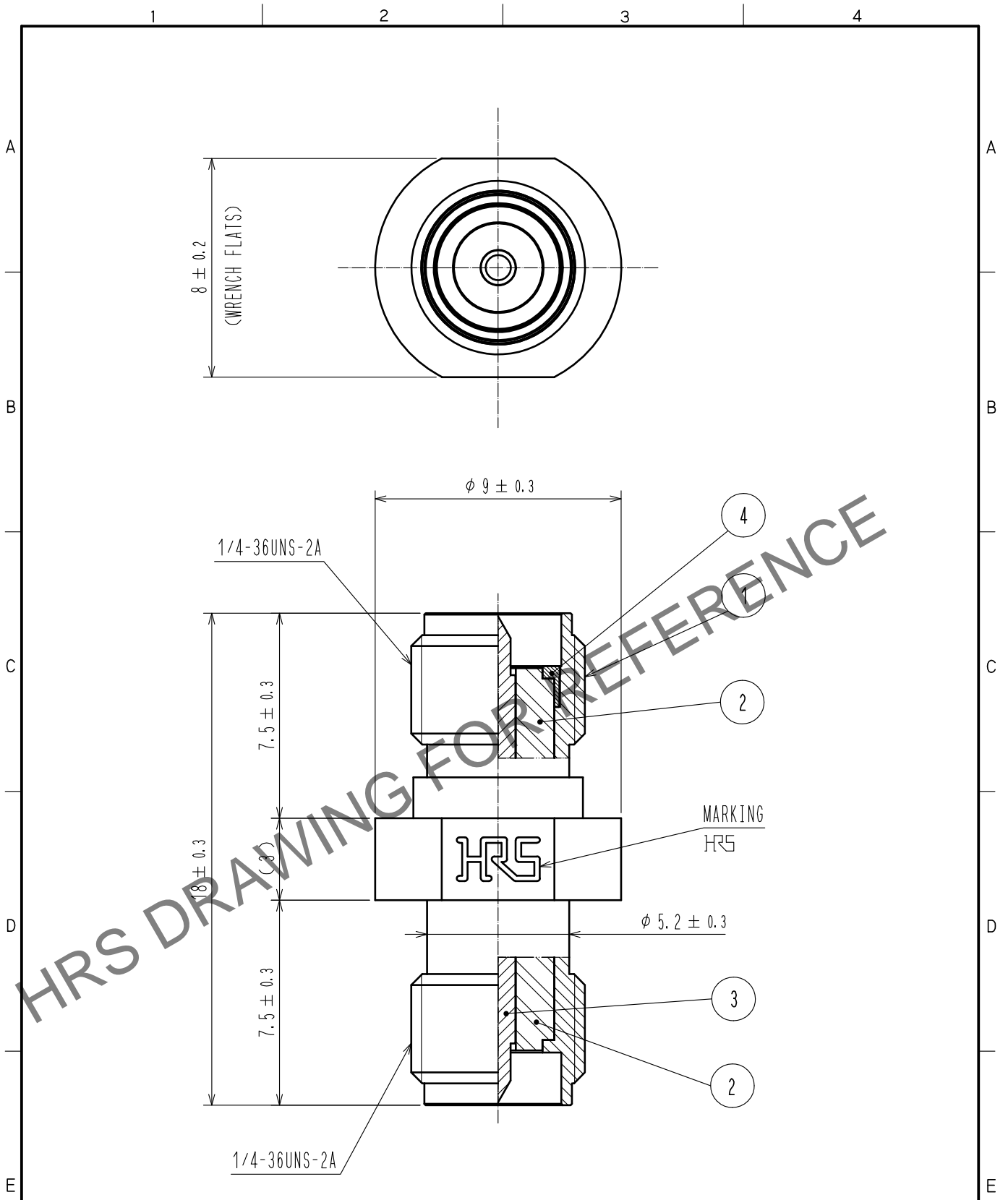




THE DATASHEET OF SMA(R)-A-JJ



Jun.1.2024 Copyright 2024 HIROSE ELECTRIC CO., LTD. All Rights Reserved.
 In case of consideration for using Automotive equipment / device which demand high reliability, kindly contact our sales window correspondents.



RoHS COMPLIANT

2	PTFE		4	STAINLESS STEEL	PASSIVATED
1	STAINLESS STEEL	PASSIVATED	3	BRASS	GOLD PLATING
NO.	MATERIAL	FINISH . REMARKS	NO.	MATERIAL	FINISH . REMARKS
UNITS mm		SCALE 5 : 1	COUNT 	DESCRIPTION OF REVISIONS	DESIGNED
					CHECKED
					DATE
HRS HIROSE ELECTRIC CO., LTD.	APPROVED : TO. KATAYAMA	17. 08. 30	DRAWING NO.	EDC-379044-00-00	
	CHECKED : KY. SHIMIZU	17. 08. 30	PART NO.	SMA(R)-A-JJ	
	DESIGNED : TY. OZAKI	17. 08. 30	CODE NO.	CL323-0124-0-00	
	DRAWN : TY. OZAKI	17. 08. 30			1/1

Looking for pricing, stock, or lifecycle information?

Click below to explore more details on WIN SOURCE:

- ⊖ [View SMA\(R\)-A-JJ on WIN SOURCE](#)
- ⊖ [Hirose Electric Co Ltd Information](#)

Optimize Your Supply Chain with WIN SOURCE Solutions

- ✓ Global Sourcing Solution
- ✓ Obsolete Management
- ✓ Cost Control Management
- ✓ Shortage Management
- ✓ Alternative Solution
- ✓ Excess Inventory Management