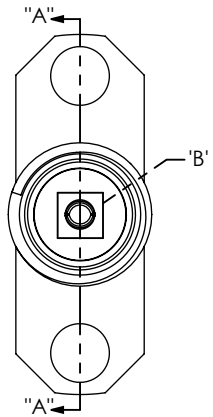




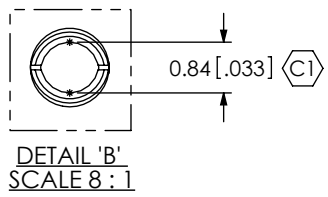
THE DATASHEET OF SMA-J-P-H-ST-PN2



DO NOT SCALE FROM THIS PRINT

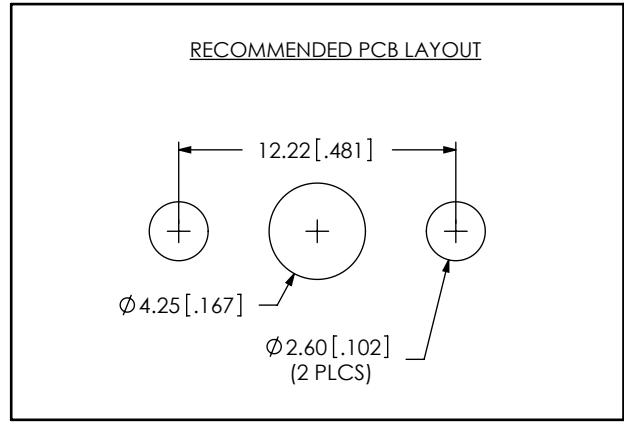
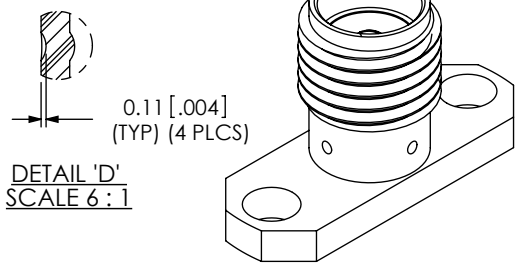
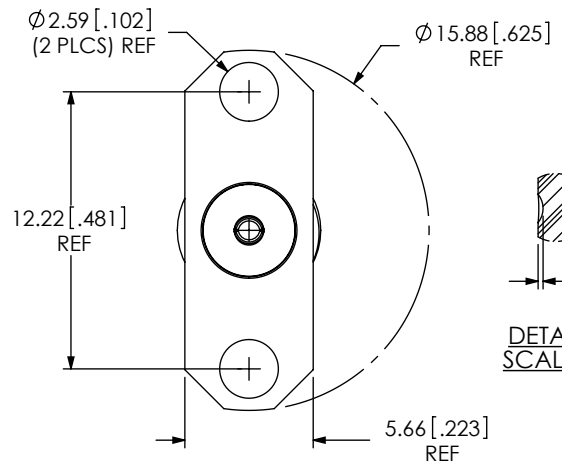
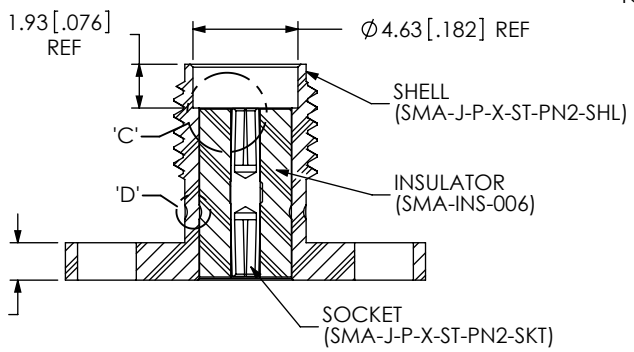
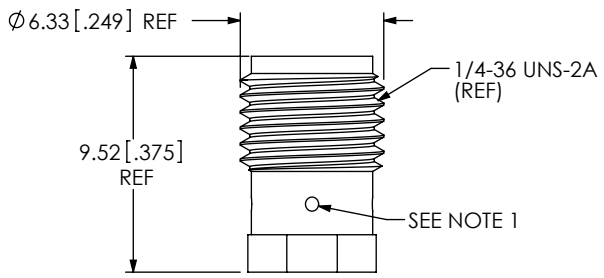
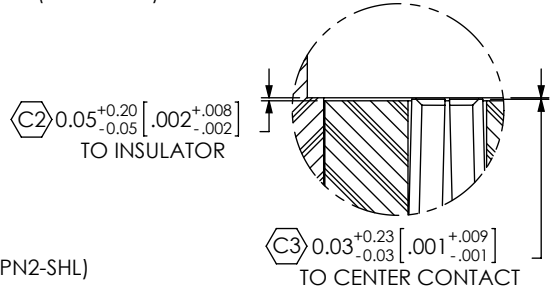


DESIGNED & DIMENSIONED IN MILLIMETERS [INCHES]



SMA-J-P-X-ST-PN2
 GENDER -J: JACK
 TYPE -P: PCB
 TERMINATION -PN2: PANEL MOUNT
 ORIENTATION -ST: STRAIGHT

PLATING SPECIFICATION
 -H: HEAVY GOLD (SEE TABLE 1)



- NOTES:
- 1. C1 REPRESENTS A CRITICAL DIMENSION.
 - 2. STAKE AROUND CIRCUMFERENCE 4 INDENTSEQUALLY SPACED.
 - 3. PUSHOUT FORCE FOR INSULATOR: 44.48 N [10 LB] MIN.
 - 4. CENTER CONTACT PUSHOUT FORCE: 13.35 N [3 LB] MIN.
 - 5. PARTS TO BE PACKAGED IN TRAYS; IF QUANTITY IS LESS THAN HALF TRAY, PARTS TO BE PACKAGED IN COHESIVE FOAM
 - 6. RoHS COMPLIANT.

F:\DWG\MISC\MKTG\SMA-J-P-X-ST-PN2-MKT.SLDDRW

UNLESS OTHERWISE SPECIFIED, DIMENSIONS ARE IN MILLIMETERS [INCHES]. TOLERANCES ARE:
 DECIMALS ANGLES
 .X: ±0.3 [0.1] 2°
 .XX: ±0.13 [0.05]
 .XXX: ±0.051 [0.020]

PROPRIETARY NOTE
 THIS DOCUMENT CONTAINS INFORMATION CONFIDENTIAL AND PROPRIETARY TO SAMTEC, INC. AND SHALL NOT BE REPRODUCED OR TRANSFERRED TO OTHER DOCUMENTS OR DISCLOSED TO OTHERS OR USED FOR ANY PURPOSE OTHER THAN THAT WHICH IT WAS OBTAINED WITHOUT THE EXPRESSED WRITTEN CONSENT OF SAMTEC, INC.

520 PARK EAST BLVD, NEW ALBANY, IN 47150
 PHONE: 812-944-6733 FAX: 812-948-5047
 e-Mail: info@SAMTEC.com code: 55322

TABLE 1: MATERIAL



SAMTEC PART NUMBER	ITEM	MATERIAL	PLATING - (REFERENCE)
SMA-J-P-X-ST-PN2-SHL	SHELL	BRASS C3604B	0.00013[.000005] GOLD OVER .00127[.000050] NICKEL
SMA-INS-006	INSULATOR	PTFE TEFLON (WHITE)	N/A
SMA-J-P-X-ST-PN2-SKT	SOCKET	BeCu C17300	0.00076[.000030] GOLD OVER .00127[.000050] NICKEL

MATERIAL: SEE TABLE 1
 DO NOT SCALE DRAWING
 SHEET SCALE: 3:1

DESCRIPTION: SMA STRAIGHT, PANEL MOUNT JACK- 50 OHM
 DWG. NO. **SMA-J-P-X-ST-PN2**
 BY: R MUSSER 01/28/2008 SHEET 1 OF 1

Looking for pricing, stock, or lifecycle information?

Click below to explore more details on WIN SOURCE:

-  View [SMA-J-P-H-ST-PN2](#) on WIN SOURCE
-  [Samtec Inc.](#) Information

Optimize Your Supply Chain with WIN SOURCE Solutions

-  Global Sourcing Solution
-  Obsolete Management
-  Cost Control Management
-  Shortage Management
-  Alternative Solution
-  Excess Inventory Management