



**THE DATASHEET OF
7499151120**



Spezifikation für Freigabe / specification for release

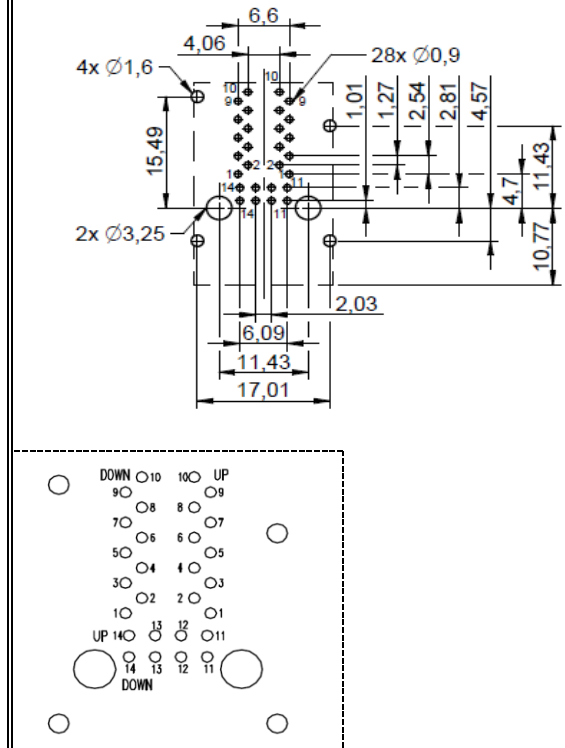
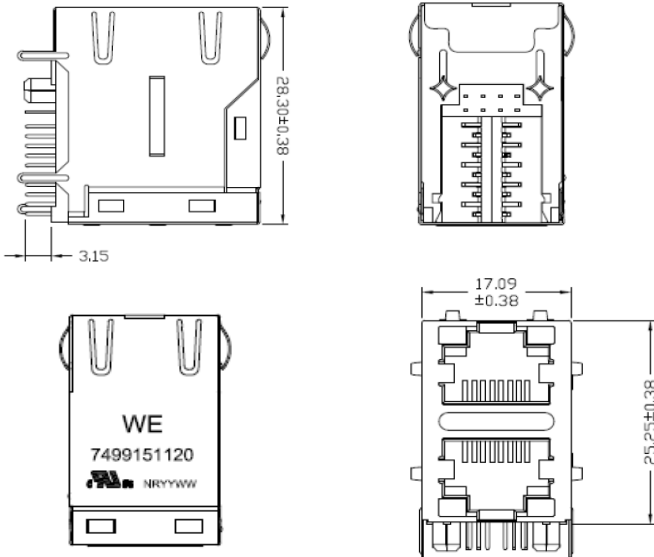
Kunde / customer :
 Artikelnummer / part number : **7499151120**
 Bezeichnung : LAN-Übertrager WE-RJ45LAN 10/100/1000 BaseT
 description : LAN-Transformer WE-RJ45LAN 10/100/1000 BaseT



DATUM / DATE : 2018-06-27

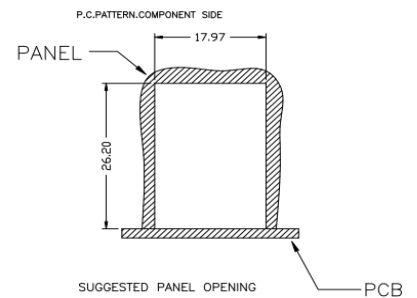
A Mechanische Abmessungen / dimensions :

B Lötpad / soldering spec. :



C Elektrische Eigenschaften / electrical properties :

Eigenschaften / properties	Testbedingungen / test conditions		Wert / value	Einheit / unit	tol.
Induktivität / Inductance	100kHz / 100mV @ 8mA DC-Bias	OCL	350	µH	min.
Übersetzungsverhältnis / Turns ratio	100kHz / 100mV	TR	1 : 1	Tx	3%
			1 : 1	Rx	
Insertion Loss	1-100MHz	IL	-1,1	dB	max.
Return Loss	1-30MHz @ 100Ω	RL	-18	dB	min.
	40-60MHz @ 100Ω		-14		
	60-80MHz @ 100Ω		-12		
	80-100MHz @ 100Ω		-10		
Crosstalk	1-10MHz	CT	-35	dB	min.
	15-60MHz		-26		
	60-100MHz		-24		
Common Mode Rejection	1-60MHz	CMR	-40	dB	min.
	60-100MHz		-30		



D Prüfgeräte / test equipment :

HP4395A

E Testbedingungen / test conditions :

Luftfeuchtigkeit / humidity: 33%
 Umgebungstemperatur / temperature: +25°C

Freigabe erteilt / general release:

Kunde / customer

Datum / date

Unterschrift / signature

Würth Elektronik

Geprüft / checked

Kontrolliert / approved

Name	Änderung / modification	Datum / date
Mle	Revision 09	2018-06-27
Mle	Revision 08	2018-03-02
Mle	Revision 07	2017-09-29
Mle	Revision 06	2016-04-27
Mle	Revision 05	2015-06-29
JaB	Revision 04	2015-01-26
Mle	Revision 03	2013-06-05
Mle	Revision 00	2012-06-18

Würth Elektronik eiSos GmbH & Co.KG

Spezifikation für Freigabe / specification for release

Kunde / customer :
 Artikelnummer / part number : **7499151120**
 Bezeichnung : **LAN-Übertrager WE-RJ45LAN 10/100/1000 BaseT**
 description : **LAN-Transformer WE-RJ45LAN 10/100/1000 BaseT**



DATUM / DATE : 2018-06-27

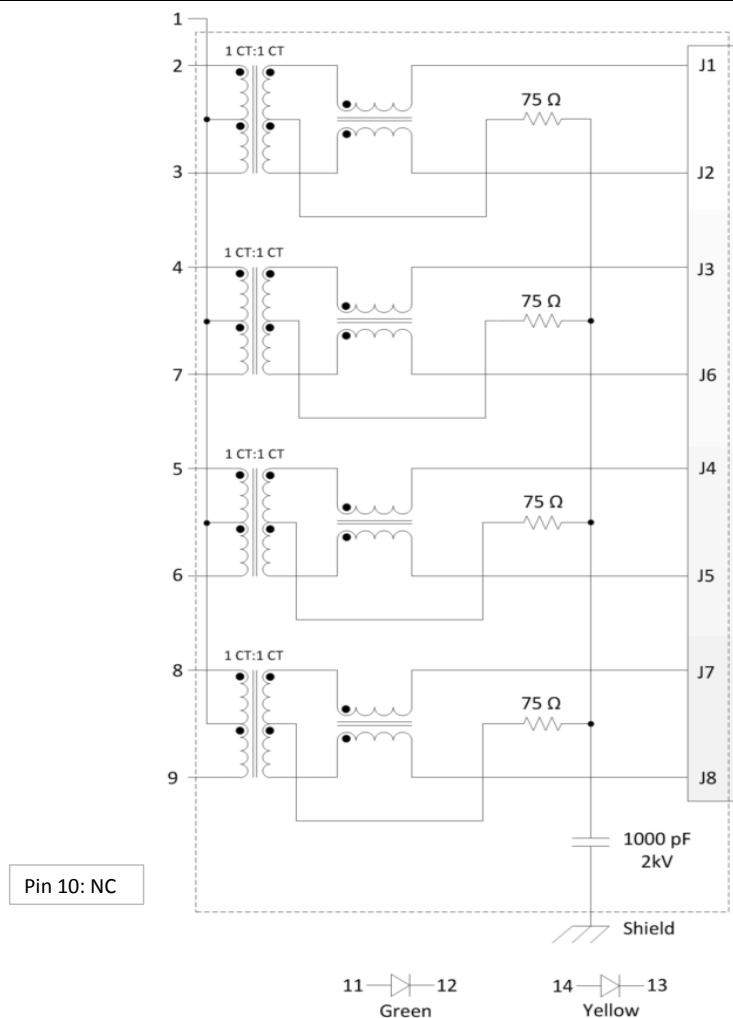
F Werkstoffe & Zulassungen / material & approvals :

Basismaterial / base material:	Ferrit/ ferrite
Draht / wire:	UEW/Y 155°C
Kontaktmaterial/ contact plating:	100% tin w. nickel underplating 30µ"gold plating on contact area
Gehäuse / housing	Thermoplastic UL-94V0
LED	1,8-2,8 V/ 20mA
Shield	50µ" nickel over 0.01" cooper alloy

G Eigenschaften / general specifications :

Betriebstemp. / operating temperature: -40 °C to +85 °C
 Hochspannungsprüfung / Hipot test: 2250VDC 1min.
 Geeignet für 1000BaseT-Anwendungen gemäß IEEE 802.3ab /
 Compliant with IEEE 802.3ab for 1000BaseT

H Schaltbild / Schematics :



Freigabe erteilt / general release:	Kunde / customer			
		Mle	Revision 09	2018-06-27
		Mle	Revision 08	2018-03-02
		Mle	Revision 07	2017-09-29
		Mle	Revision 06	2016-04-27
		Mle	Revision 05	2015-06-29
Datum / date	Unterschrift / signature	JaB	Revision 04	2015-01-26
	Würth Elektronik	Mle	Revision 03	2013-06-05
		Mle	Revision 00	2012-06-18
Geprüft / checked	Kontrolliert / approved	Name	Änderung / modification	Datum / date

Spezifikation für Freigabe / specification for release

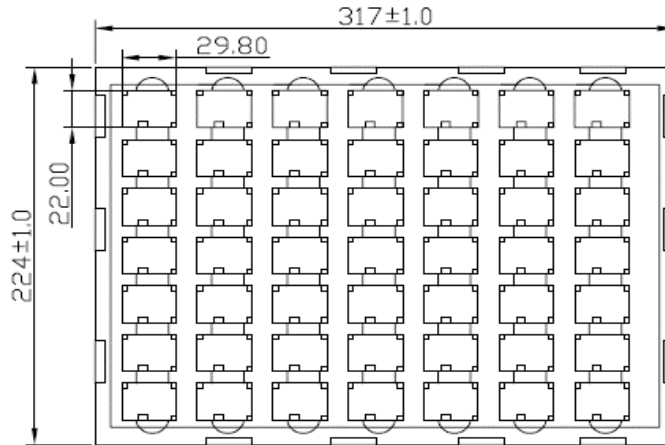
Kunde / customer :
 Artikelnummer / part number : **7499151120**
 Bezeichnung : **LAN-Übertrager WE-RJ45LAN 10/100/1000 BaseT**
 description : **LAN-Transformer WE-RJ45LAN 10/100/1000 BaseT**



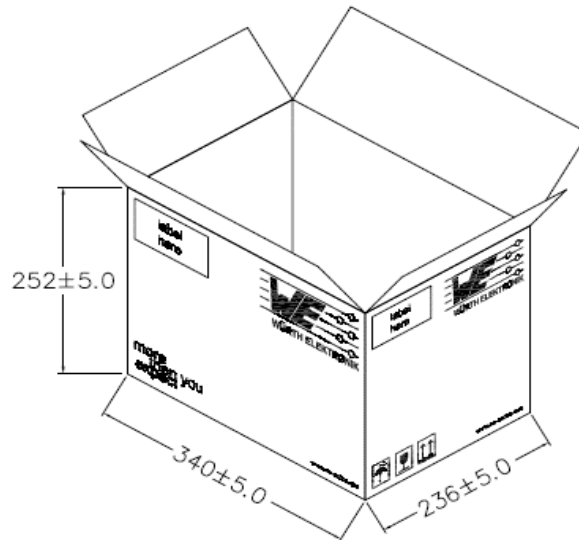
DATUM / DATE : 2018-06-27

I Verpackungsspezifikation / package specification :

Tray



Carton



Package Quantity:

tray= 49 pcs
 carton= 7 tray (343 pcs)

dimensions in mm

Freigabe erteilt / general release:	Kunde / customer			
Datum / date	Unterschrift / signature			
Geprüft / checked	Würth Elektronik			
	Kontrolliert / approved			
		Name	Änderung / modification	Datum / date
		Mle	Revision 09	2018-06-27
		Mle	Revision 08	2018-03-02
		Mle	Revision 07	2017-09-29
		Mle	Revision 06	2016-04-27
		Mle	Revision 05	2015-06-29
		JaB	Revision 04	2015-01-26
		Mle	Revision 03	2013-06-05
		Mle	Revision 00	2012-06-18

This electronic component has been designed and developed for usage in general electronic equipment. Before incorporating this component into any equipment where higher safety and reliability is especially required or if there is the possibility of direct damage or injury to human body, for example in the range of aerospace, aviation, nuclear control, submarine, transportation, (automotive control, train control, ship control), transportation signal, disaster prevention, medical, public information network etc, Würth Elektronik eiSos GmbH must be informed before the design-in stage. In addition, sufficient reliability evaluation checks for safety must be performed on every electronic component which is used in electrical circuits that require high safety and reliability functions or performance.

Würth Elektronik eiSos GmbH & Co.KG

Looking for pricing, stock, or lifecycle information?

Click below to explore more details on WIN SOURCE:

- [View 7499151120 on WIN SOURCE](#)
- [Wurth Electronics Inc Information](#)

Optimize Your Supply Chain with WIN SOURCE Solutions

- ✓ Global Sourcing Solution
- ✓ Obsolete Management
- ✓ Cost Control Management
- ✓ Shortage Management
- ✓ Alternative Solution
- ✓ Excess Inventory Management