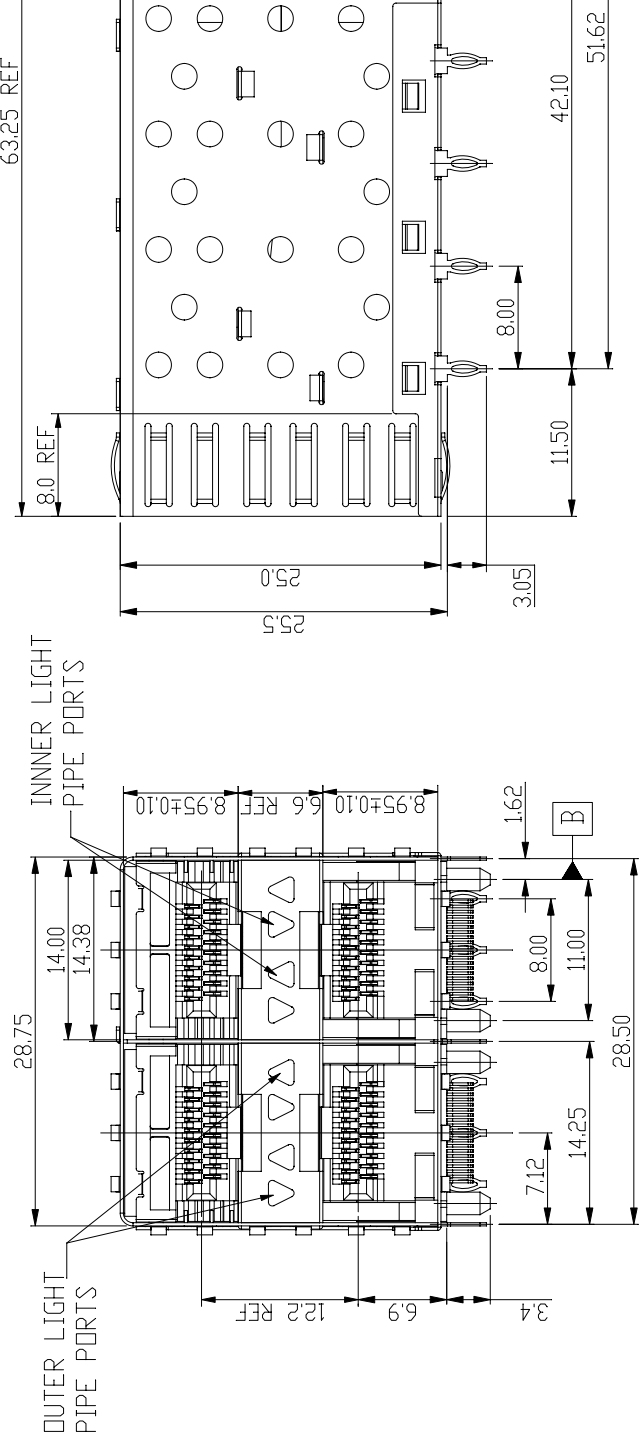




THE DATASHEET OF SFP0-3030-L

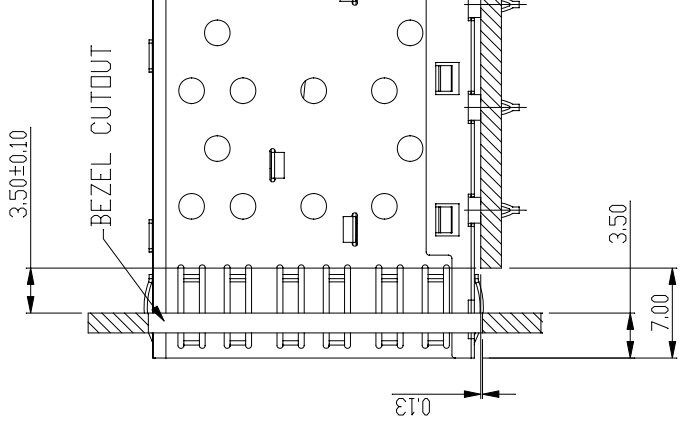
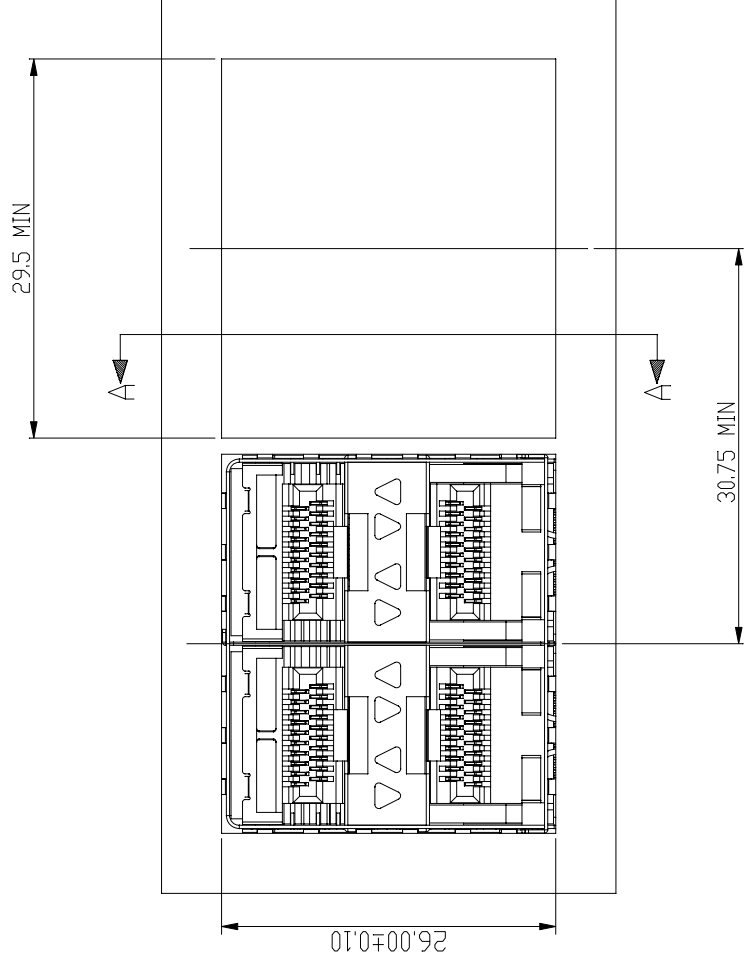




Qty Per:	TRAY	12	CARTON	72
PART NUMBER		STATEMENT		
SFP0-3030-L		INNER/OUTER LIGHT PIPES		
No.	DESCRIPTION	Q'ty	MATERIAL	PLATING
01	SFP CAGE (Non-Logo)	1	COPPER ALLOY	
02	CONNECTOR	2	HIGH TEMP/COPPER ALLOY	GOLD
03	LIGHT PIPES	2	POLYCARBONITE	

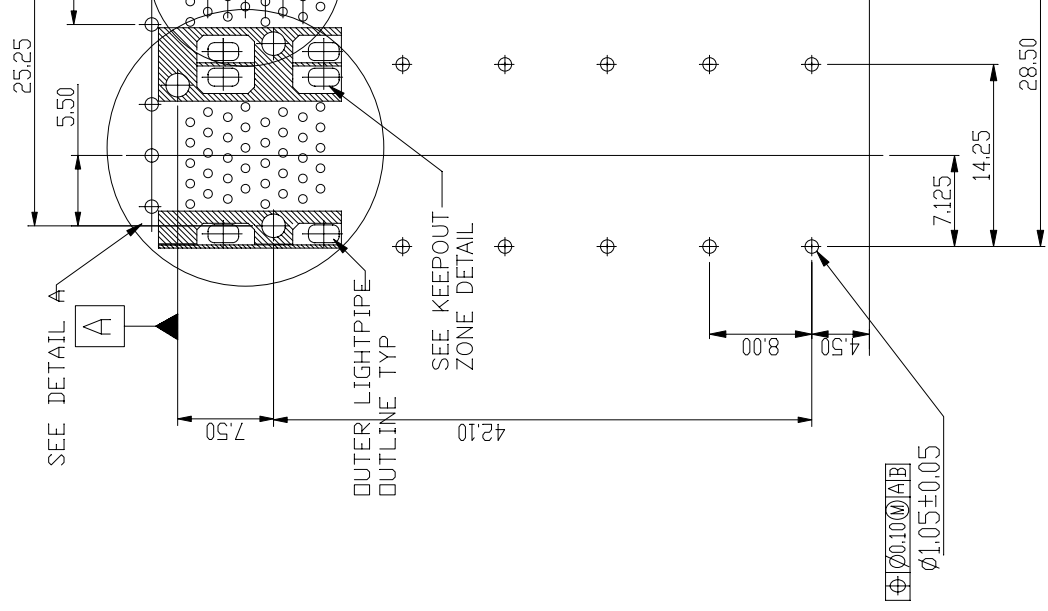
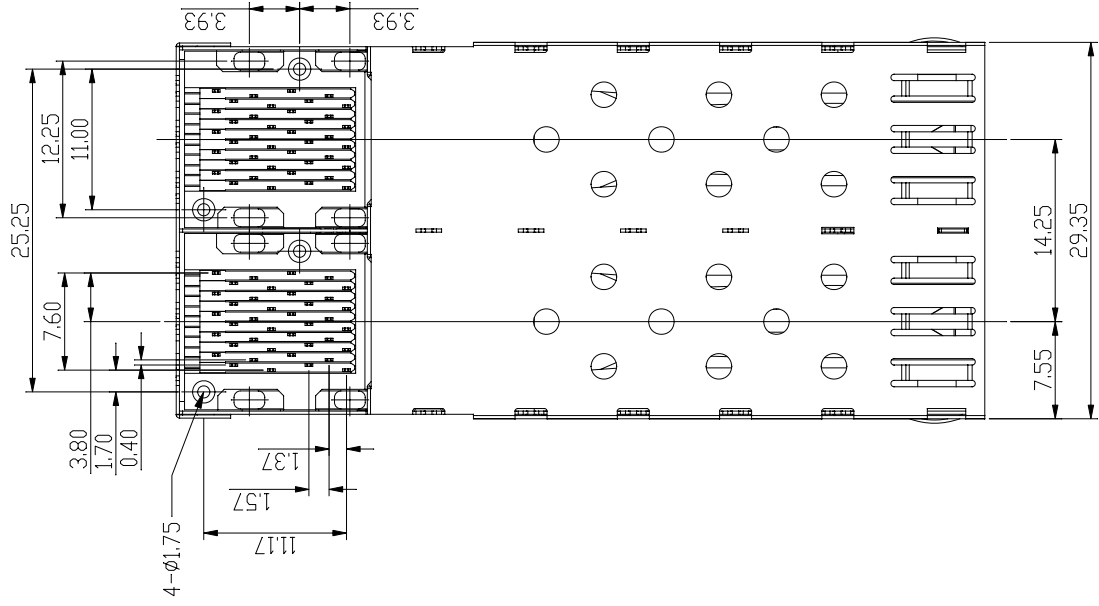
 TOLERANCES EXCEPT AS NOTED MM .0 ± 0.05 .00 ± 0.2 .000 ± 0.10 ANGLES ± 0.5 THIRD ANGLE PROJECTION		RoHS Compl TITLE SFP 2 B DFTD Jock DATE 6/09/10 SCALE : 2:1
---	--	---

8 | 7 | 6 | 5 | 4 | 3



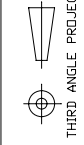
BEZEL CUT-OUT CENTER SPACING DETAIL
 BEZEL THICKNESS:0.8-2.6

		RoHS Compl	
TOLERANCES EXCEPT AS NOTED		TITLE	
MM	±	SFP 2 B	
.0 ± 0.25	±	DFTD Jack	
.00 ± 0.2	±	DATE 6/09/10	
.000 ± 0.10	±	SCALE : 2:1	
ANGLES ± 0.5			
DETACHED LISTS		THIRD ANGLE PROJECTION	
4	5	6	7
8			3



TOLERANCES EXCEPT AS NOTED	
MM	(INCH)
.0 \pm 0.25	\pm
.00 \pm 0.2	\pm
.000 \pm 0.10	\pm
ANGLES \pm 0.5	

DETACHED LISTS



DFTD Jack
DATE 6/09/10'

SCALE : 2:1

4

5

6

7

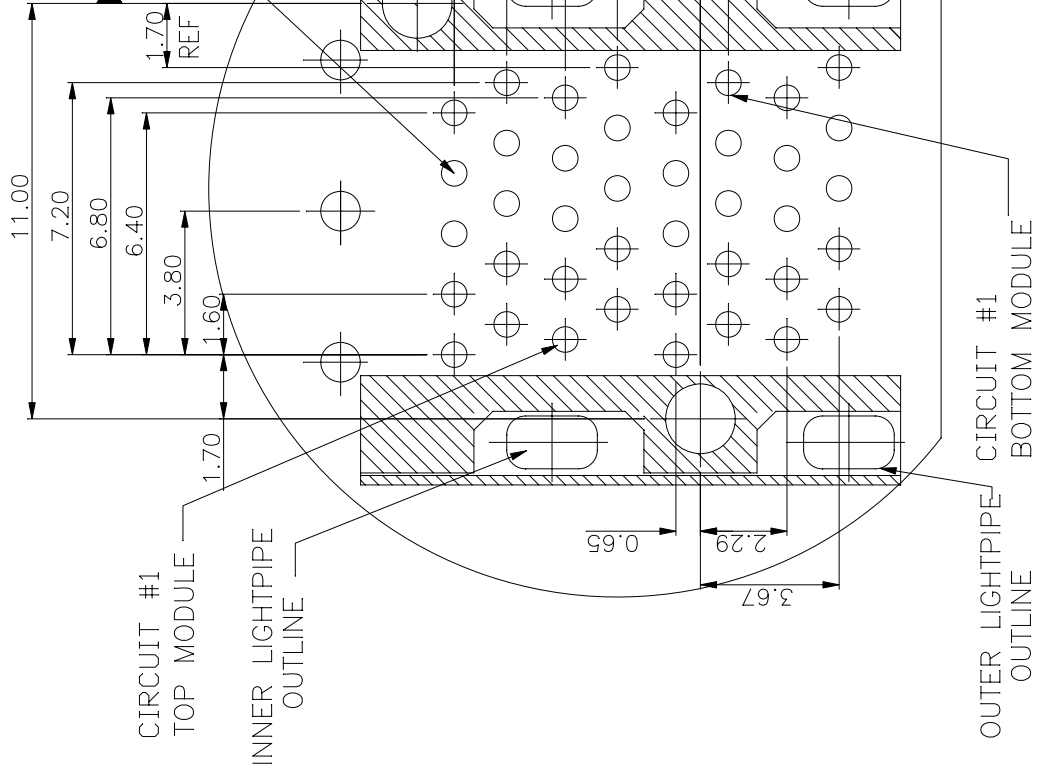
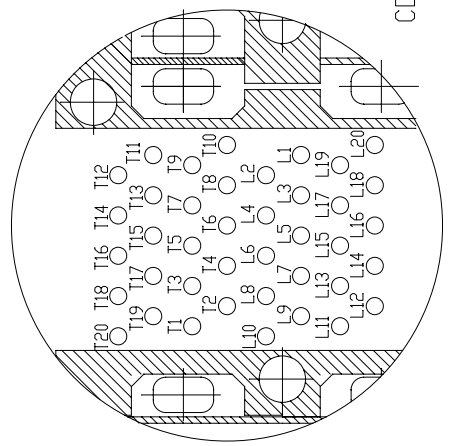
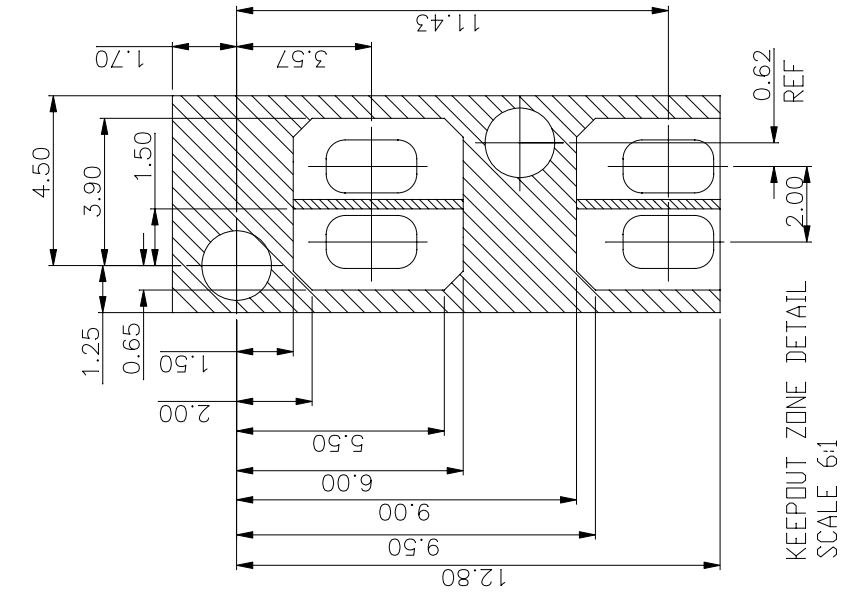
8

RoHS Compl

TITLE

SFP 2 B

3



DETAIL A
SCALE 6:1

RoHS Compliant

MM	CINCH	
TOLERANCES EXCEPT AS NOTED		
MM		±
.0	± 0.25	±
.00	± 0.2	±
.000	± 0.10	±
ANGLES ± 0.5		

DETAILED LISTS



THIRD ANGLE PROJECTION

BFTD Jack
DATE 6/09/10
SCALE : 2:1

3 4 5 6 7 8

Looking for pricing, stock, or lifecycle information?

Click below to explore more details on WIN SOURCE:

-  [View SFP0-3030-L on WIN SOURCE](#)
-  [Pulse Information](#)

Optimize Your Supply Chain with WIN SOURCE Solutions

-  Global Sourcing Solution
-  Obsolete Management
-  Cost Control Management
-  Shortage Management
-  Alternative Solution
-  Excess Inventory Management