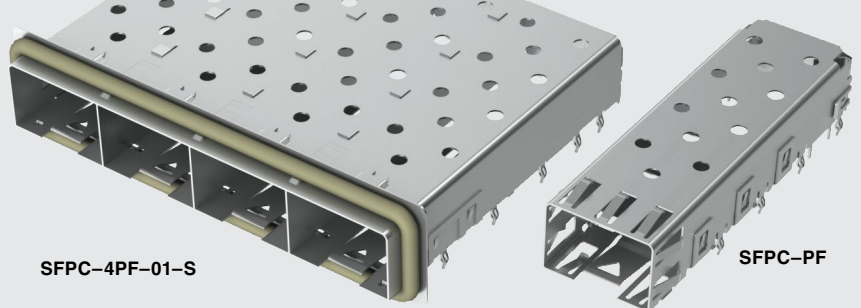




THE DATASHEET OF SFPK-PF





SFPC, SFPK SERIES

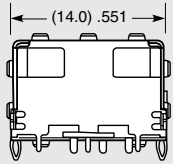
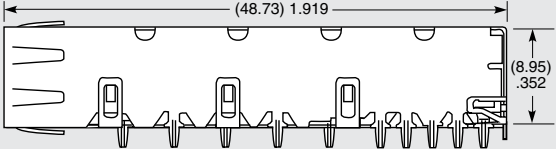
SFP CAGES & CAGE/CONNECTOR KITS

Use with:
MECT

SPECIFICATIONS

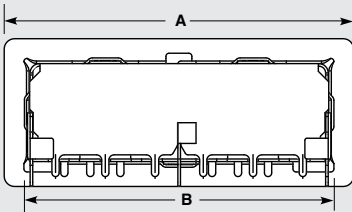
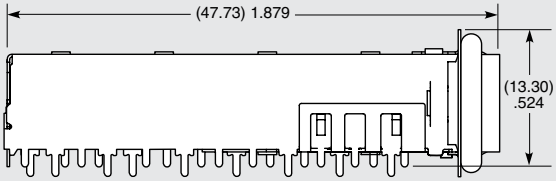
For complete specifications see www.samtec.com?SFPC or www.samtec.com?SFPK

TYPE	TERMINATION	CONNECTOR PACKAGE
<p>SFPC = Cage</p> <p>SFPK = Cage and Connector Kit (SFPC & MECT-110-01-M-D-RA1)</p>	<p>-PF = Press-Fit</p> <p>-SL = Solder Lead</p> <p>-PC = PCI Press-Fit (1° slope for PCI specifications)</p>	<p>SFPK only</p> <p>-TR = Tape & Reel (Leave blank for tube packaging)</p> <p>-FR = Full Reel Tape & Reel (must order max. quantity per reel; Contact Samtec for quantity breaks)</p>

TYPE	NO. OF PORTS	TERMINATION	PANEL MOUNT OPTION	S
<p>SFPC = Cage</p> <p>SFPK = Cage and Connector Kit (SFPC & MECT-110-01-M-D-RA1)</p>	<p>-2 = 1x2</p> <p>-4 = 1x4</p>	<p>PF = Press-Fit</p> <p>SL = Solder Lead</p> <p>PC = PCI Press-Fit (1° slope for PCI specifications)</p>	<p>-01 = Solid Gasket</p> <p>-02 = Hollow Gasket</p>	<p>-S = Single Row</p>

NO. OF PORTS	A	B
-2	(33.70) 1.33	(28.25) 1.11
-4	(62.20) 2.45	(56.50) 2.22

-2PF SHOWN

Note:
Some sizes, styles and options are non-standard, non-returnable.

Looking for pricing, stock, or lifecycle information?

Click below to explore more details on WIN SOURCE:

 [View SFPK-PF on WIN SOURCE](#)

 [Samtec Inc. Information](#)

Optimize Your Supply Chain with WIN SOURCE Solutions

-  Global Sourcing Solution
-  Obsolete Management
-  Cost Control Management
-  Shortage Management
-  Alternative Solution
-  Excess Inventory Management