



**THE DATASHEET OF
BVH-21T-P1.1**



Tool Specification

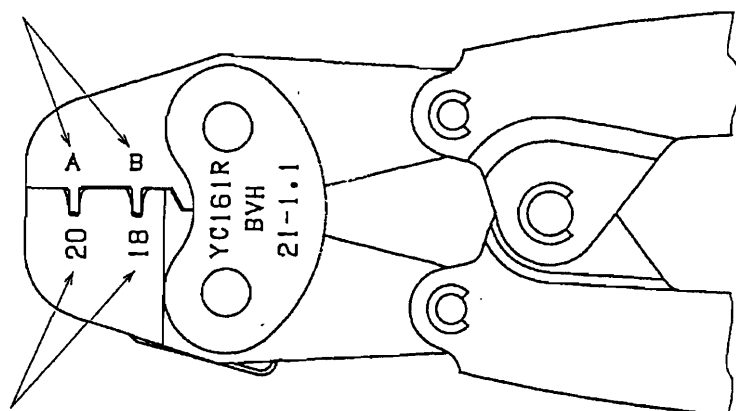
1. Part Number: YC-161R

2. Terminal: BVH-21T-P1.1

3. Application

Crimp Position	AWG UL1007	Tensile Strength N (kgf)	Strip Length mm
A	AWG 20	63.7(6.5) min.	3.1
B	AWG 18	78.4(8.0) min.	3.1

Crimp Position





AWG

- Check the crimp appearance and tensile strength prior to use.
- Select the appropriate crimp position based on the AWG that will be used.
- The insulation barrel is set for type of wire listed and is not adjustable.

Looking for pricing, stock, or lifecycle information?

Click below to explore more details on WIN SOURCE:

-  [View BVH-21T-P1.1 on WIN SOURCE](#)
-  [JST Sales America Inc. Information](#)

Optimize Your Supply Chain with WIN SOURCE Solutions

-  Global Sourcing Solution
-  Obsolete Management
-  Cost Control Management
-  Shortage Management
-  Alternative Solution
-  Excess Inventory Management